

FENCING RULES

2006

September 2006 Edition

United States Fencing Association, Inc.



United States Fencing Association, Inc. 2006

Forward

This American Version of the international rules governing fencing competitions is translated and adapted from the 2001 French edition published by the FIE and incorporates changes made by the FIE Congresses through 2004. Unless otherwise noted here or in the USFA Operations Manual, these rules apply to fencing competitions in the United States.

The publication in electronic format with year and revision dating at the bottom of each page is intended to simplify the incorporation of future changes to the rules. Dated replacement pages will be included in the on-line text as necessary.

The USFA, Inc. (founded as the Amateur Fencers League of America in 1891) is a not-for-profit, tax-exempt organization primarily engaged in increasing participation in the sport of fencing. Membership in the USFA, in an appropriate category, is open to anyone who has an interest in fencing. The USFA is the official governing body for amateur fencing activities in the United States, and is so recognized by the United States Olympic Committee and the International Fencing Federation (FIE). Accordingly, the authority to enact, amend, and repeal the rules governing amateur fencing in the United States rests solely with the Board of Directors of the USFA. As a matter of policy, the USFA normally follows the technical rules enacted for the sport by the FIE, with occasional minor exceptions that are duly announced. The rules for fencing, as set forth in this book, therefore apply to all USFA championships and nationally-rated competitions, and, unless exceptions have been announced in advance by the appropriate authorities, apply also to all events scheduled by any Section or Division of the USFA, or held under USFA auspices.

United States Fencing Association, Inc.

One Olympic Plaza

Colorado Springs, CO 80909-5774

TEL: 719/866-4511 FAX: 719/866-5737

E-mail: information@usfencing.org World Wide Web: <http://www.usfencing.org>

Preface

This American edition incorporates the most recent FIE rules changes, using terms commonly used in American fencing. Some changes of form have been made to increase the clarity of the text, without altering the original intent. Where the USFA rules differ from the FIE, a "USFA Note" is provided.

The ongoing publication of an American version of the FIE Rules has been carried out under the auspices of the USFA Fencing Officials Commission. This current edition is based, in large part on the British translation of the FIE Rules. A number of USFA members have been involved in the publication of this book. I would like to thank Ann McBain Ezzell for her work on the previous editions and Nancy Anderson for her advice on French translations. I would also like to acknowledge Peter Jacobs assistance in the English translations from the French, as well as his generous help in keeping track of the myriad changes that occur.

For those interested in such things: The text has been through even more electronic incarnations and now exists in both MacIntosh and PC format as well as PDF and HTML formats. Editing and formatting are currently performed using Microsoft Word XP. Illustrations were scanned directly from the FIE edition.

Bill Oliver, Editor
Boulder, Colorado
September, 2006

ABBREVIATIONS USED IN THE TEXT

Cf. (followed by a number) = see article number

f. (after a number) = and the following article

ff (after a number) = and the following articles

NUMBERING OF ARTICLES

The articles have been re-numbered along different lines. Articles that begin with "t." are from in first book, "Technical Rules" and have to do with technical descriptions of fencing and its equipment. Articles that begin with "o." are in the second book, "Organizational Rules" and have to do with the organization and control of fencing competition. Articles that begin with "m." are in the third book "Material Rules", and have to do with the weapons and electrical apparatus and their specifications.

Table of Contents

PRELUDE

BOOK 1. TECHNICAL RULES

PART I. GENERAL RULES AND RULES COMMON TO THE THREE WEAPONS

CHAPTER 1. APPLICATION OF THE RULES

Obligatory use of the rules **t.1**

CHAPTER 2. GLOSSARY

A. Competitions

1. Assaults and bouts **t.2**

2. Match... **t.3**

3. Competition **t.4**

4. Championship **t.5**

B. Explanation of some technical terms

1. Fencing time **t.6**

2. Offensive and defensive actions **t.7**

3. Offensive actions **t.8**

4. Defensive actions **t.9**

5. The 'in-line' position **t.10**

CHAPTER 3. THE FIELD OF PLAY **t.11–14**

CHAPTER 4. THE FENCERS' EQUIPMENT

Responsibility of fencers **t.15**

CHAPTER 5. FENCING

1. Method of holding the weapon **t.16**

2. Coming on guard **t.17**

3. Beginning, stopping and restarting the bout **t.18**

4. Fencing at close quarters **t.19**

5. Corps à corps **t.20**

6. Displacing the target and passing the opponent **t.21**

7. Substitution and use of the non-sword hand and arm **t.22–23**

8. Ground gained or lost **t.24–25**

9. Crossing the limits of the strip

(a) Stopping the bout **t.26**

(b) Rear limits **t.27**

(c) Lateral boundaries **t.28**

(d) Leaving the strip accidentally **t.29**

10. Duration of the bout **t.30–32**

11. Accidents, withdrawal of a competitor **t.33**

CHAPTER 6. REFEREEING AND JUDGING OF TOUCHES .. **t.34**

1. The Referee **t.35**

2. Judges **t.36**

3. Attribution of referees

1. Olympic Games and World Championships

(a) Individual competitions **t.37**

(b) Team competitions **t.38**

2. World Cup competitions **t.39**

4. Method of judging touches

(a) Materiality of the touch **t.40–41**

(b) Validity or priority of the touch **t.42**

5. Regulation equipment and checking of equipment by the Referee **t.43–44**

6. Non-regulation equipment **t.45**

PART 2. FOIL

THE CONVENTIONS OF FENCING

A. METHOD OF MAKING A TOUCH **t.46**

B. TARGET

1. Limitation of the target **t.47**

2. Touches off the target **t.48**

3. Extension of the valid target **t.49**

C. JUDGING OF TOUCHES IN FOIL **t.50**

I. Materiality of the touch **t.51–52**

II. Annulment of a touch **t.53–54**

III. Validity or priority of the touch

1. Preface **t.55**

2. Respect of the fencing phrase **t.56–59**

3. Judging of touches **t.60**

PART 3. EPEE

THE CONVENTIONS OF FENCING

A. METHOD OF MAKING A TOUCH **t.61**

B. THE TARGET **t.62**

C. CORPS A CORPS AND FLECHE ATTACKS **t.63**

D. JUDGING OF TOUCHES IN EPEE **t.64**

1. Basic principle **t.65**

2. The annulment of touches **t.66–69**

PART 4. SABRE

THE CONVENTIONS OF FENCING

A. METHOD OF MAKING A TOUCH **t.70**

B. LIMITATION OF THE TARGET **t.71–72**

C. JUDGING OF TOUCHES IN SABRE

I. Materiality and annulment of touches **t.73**

II. Validity or priority of the touch

1. Preface **t.74**

2. Respect of the fencing phrase **t.75–79**

3. Judging of touches **t.80**

PART 5. DISCIPLINARY RULES

FOR COMPETITIONS

CHAPTER 1. APPLICATION

1. Persons subject to these rules **t.81**

2. Maintenance of order and discipline **t.82–83**

3. The competitors

(a) Pledge of honour **t.84**

(b) Refusing to fence an opponent **t.85**

(c) Presence on time **t.86**

(d) Fencing etiquette **t.87**

(e) Personal effort **t.88**

4. The team manager **t.89**

5. The team captain **t.90**

6. The referees and judges **t.91**

7. The instructors, trainers and technicians **t.92**

8. The spectators **t.93**

CHAPTER 2. THE DISCIPLINARY AUTHORITIES AND THEIR COMPETENCE	
1. Jurisdiction	t.94
2. Principle of jurisdiction	t.95
3. The Referee	t.96
4. The Technical Directory	t.97
5. The Executive Committee of the IOC at the Olympic Games	t.98
6. The Executive Committee of the FIE	t.99
7. The Congress of the FIE	t.100

CHAPTER 3. PENALTIES	
1. Classification of penalties	t.101
2. Penalties related to fencing	t.102–105
3. Disciplinary penalties	t.106–112
4. Announcement of penalties	t.113

CHAPTER 4. OFFENSES, THEIR PENALTIES AND THE COMPETENT JURIDICAL AUTHORITIES	
1. The types (groups) of penalty	t.114
2. Competence	t.115
3. The first group of offenses	t.116
4. The second group of offenses	t.117
5. The third group of offenses	t.118
6. The fourth group of offenses	t.119
7. Offenses and penalties	t.120

CHAPTER 5. PROCEDURE	
1. Basic principle	t.121
2. Protests and appeals	t.122–123
3. Investigation — Right of defence	t.124
4. Method of decision	t.125
5. Stay of execution	t.126
6. Repetition of offense	t.127
7. Pardon, remissions and commutation of penalty	t.128

CHAPTER 6. DOPING	
Rules...	
.....	t.129

BOOK 2. ORGANIZATION RULES

CHAPTER 1. COMPETITIONS	o.1–2
--------------------------------------	--------------

CHAPTER 2. BODIES RESPONSIBLE FOR ORGANIZATION AND CONTROL	
1. The Organizing Committee	o.3
2. The Central Office of the FIE	o.4
3. The Technical Directory	o.5
4. Referees	o.6
5. Auxiliary personnel	o.7–8

CHAPTER 3. ENTRIES FOR COMPETITIONS	o.9
--	------------

CHAPTER 4. TIMETABLE	o.10
-----------------------------------	-------------

CHAPTER 5. INDIVIDUAL COMPETITIONS	
1. General rules for the round of pools	o.12
Composition of pools	o.13–19
Withdrawal	o.20
2. General rules for direct elimination	o.21–24
Withdrawal	o.25
Order of bouts	o.26
The final	o.27
Classification	o.28
A. Mixed Formula (Open competitions)	o.29–34
B. Mixed Formula (Junior/Cadet competitions)	o.35–41

CHAPTER 6. TEAM COMPETITIONS	
A. Open and Junior World Championships (and Olympic Games) team events	o.42–44
B. Open World Cup team competition	o.45–47

CHAPTER 7. ORGANIZATION OF OFFICIAL FIE COMPETITIONS	
---	--

A. Common conditions	
(a) Program of competitions	o.48
(b) Venues, installations, equipment, accreditation, etc.	o.49
(c) Entries by member federations	o.50–54
(d) Age of participants	o.55
(e) Technical management of major competitions	o.56–62
(f) Supervision by the FIE	o.63
(g) Anti-doping testing	o.64
B. Open World Championships	
1. Annual championships	o.65
2. Candidature	o.66
3. Entries	o.67
4. Referees	o.68
5. Invitations for international officials	o.69
C. Regional Games	o.70
(a) Technical delegates of the FIE	o.71
(b) Technical officials and referees	o.72
D. Junior and Cadet World Championships	
1. Annual championships	o.73
2. Candidature	o.74
3. Entries	o.75
4. Age of the competitors	o.76
5. Referees	o.77
6. Invitations for international officials	o.78
E. World Cup competitions	
1. Introduction	o.79–82
2. Criteria	o.83–85
3. Participation	o.86–87
4. Referees	o.88
5. Team World Cup	o.89
6. World ranking	o.90–91
F. Nations' Grand Prix	o.92

CHAPTER 8. SPECIAL RULES FOR THE OLYMPIC GAMES	o.93
---	-------------

BOOK 3. MATERIAL RULES

PART 1. FENCERS' WEAPONS AND EQUIPMENT

CHAPTER 1. WEAPONS	
1. Characteristics common to all weapons	m.1
A. General description	m.2
B. Dimensions	m.3
C. The grip	m.4
D. The guard	m.5
2. Foil	
(a) Weight	m.6
(b) Length	m.7
(c) The blade	m.8
(d) The guard	m.9
(e) Electric wire	m.10
(f) Point.....	m.11
(g) Method of affixing the barrel.....	m.12
(h) The insulation of the barrel, the blade and the grip	m.13
3. Epée	
(a) Weight	m.14
(b) Length	m.15
(c) The blade	m.16
(d) The guard	m.17
(e) Electric wires	m.18
(f) Point and barrel	m.19
(g) Method of affixing the barrel	m.20
4. Sabre	
(a) Length	m.21
(b) Weight	m.22
(c) The blade	m.23
(d) The guard	m.24

CHAPTER 2. EQUIPMENT AND CLOTHING	
1. General conditions	m.25
2. Rules specific to foil	
(a) Glove	m.26
(b) Mask	m.27
(c) Conductive jacket (over-jacket or plastron)	m.28
(d) Bodycord and attachment plugs	m.29
3. Rules specific to épée	
(a) Mask	m.30
(b) Bodycord	m.31
4. Rules specific to sabre	
(a) Mask	m.32
(b) Glove ..	m.33
(c) Conductive jacket	m.34
(d) Bodycord and plugs	m.35
CHAPTER 3. CHECKING OF MATERIAL	
1. Competence	m.36
2. Checking of fencers' equipment	m.37
A. Presentation of equipment to the Weapon	
Checking Centre	m.38-39
B. Checking body	m.40-41
C. Checking personnel and equipment	m.42-43
PART 2. FITTINGS AND MATERIAL PROVIDED BY THE ORGANIZERS	
Introduction	m.44
CHAPTER 1. SCORING APPARATUS	
1. Authorized designs	m.45
2. Approval of designs of apparatus	m.46-50
3. Specifications for all electrical equipment	m.51
4. Number and quality of judging apparatus	m.52
5. Checking of apparatus	m.53-54
CHAPTER 2. REELS, CABLES AND THEIR CONNECTIONS	m.55-56

CHAPTER 3. CONDUCTIVE STRIPS	m.57
CHAPTER 4. SOURCE OF ELECTRICAL CURRENT	m.58
CHAPTER 5. EXTENSION LAMPS	m.59-60

APPENDIX A TO THE MATERIAL RULES
Manufacturers' Safety Standards for Fencers' Weapons, Equipment and Clothing

APPENDIX B TO THE MATERIAL RULES
Characteristics of Scoring Apparatus

APPENDIX C TO THE MATERIAL RULES
Score-board for Finals

SUPPLIMENT: FENCERS' PUBLICITY CODE

CHAPTER I. GENERAL PRINCIPLES AND THE RELEVANT TEXTS

CHAPTER II. COLLECTIVE ADVERTISING CONTRACT

CHAPTER III. INDIVIDUAL CONTRACT

CHAPTER IV. SPECIFIC REGULATIONS

CHAPTER V. PENALTIES

APPENDIX D TO THE MATERIAL RULES
SUPPLIMENT -- USFA Rules for Repechage

INDEX

RULES FOR COMPETITIONS

Ignorance of the Rules is no Excuse

PRELUDE

HISTORICAL NOTE

The technical rules of the Fédération Internationale d'Esgrime were unanimously adopted by the International Congress of National Olympic Committees held at Paris in June 1914 for use in all events at the Olympic Games. They were first codified in 1914 by the Marquis de Chasseloup-Laubat and Monsieur Paul Anspach and issued in 1919 with the title of 'Rules for Competitions'.

They were modified by various FIE Congresses and were revised after the 1931 Congress and again after the 1954 Congress when they were renamed 'Technical Rules'. They were revised and modernised after the 1958 Congress and renamed 'Rules for Competitions'.

The amendments made by Congress held between 1964 and 1972 were incorporated in the new updated edition published in 1972. The amendments made by Congress between 1973 and 1983 inclusive were incorporated in the new French updated edition published in 1983.

Subsequent amendments were included in a restructured edition published in 1997.

FOIL

The Rules for Foil were adopted on 12 June 1914 by the Committee for Foil of the FIE at a meeting in Paris under the presidency of General G. Ettore, representing the Italian Fencing Federation, who edited the proposed rules.

They were basically the same as those drawn up by Monsieur Camille Prévost, President of the Académie d'Armes and President of the Technical Committee for Foil of the French National Federation. They also conformed to the rules drawn up by the Marquis de Chasseloup-Laubat for 'Les Armes de France', to the various earlier international regulations drawn up by the different countries affiliated to the FIE, and to the Franco-Italian rules.

The rules governing foil competitions judged with the electrical judging apparatus were adopted in 1957 and modified by various later Congresses up to the present date.

EPEE

The Rules for Epée drawn up in 1914 co-ordinated and completed all the various épée rules which existed prior to the foundation of the FIE and which had been evolved from 1892 both in France and elsewhere, notably by:

- The Permanent Committee of la Société d'Esgrime à l'Epée de Paris, l'Académie d'Epée; la Société d'Entraînement à l'Esgrime et au Pistolet; and les Armes de France
- The 1905 International Committee, subject to the laws of each country, regarding the application to duelling
- L'Union des Sociétés Françaises de Sport Athlétiques (USFSA)
- Le Comité National des Sports de France
- The French Olympic Committee
- The Organizing Committees for the Tournaments held at Nice, on the Riviera, at Ostend, etc.

The rules governing épée competitions judged with the electrical judging apparatus were adopted in 1936 and subsequently modified by various later Congresses up to the present date.

The Congress of 1984 approved the introduction of Ladies' Epée; the Congress of 1987 decided that World Championships for Ladies' Epée should be organized from 1989 onwards.

SABER

The FIE Saber Rules include the essential portions of the rules which were adopted at the Olympic Games in London in 1908 and in Stockholm in 1912. They also conform to the basic principles of the Ostend rules and of the Hungarian rules and were adopted on 12 June 1914 by the Committee for Saber of the FIE assembled in Paris under the chairmanship of Dr Bela Nagy, President of the Hungarian Fencing Federation, who edited the proposed rules.

The rules governing saber events fenced with an electrical apparatus were adopted in 1988.

WORLD CHAMPIONSHIPS

In accordance with the decisions taken at the Congresses at Antwerp (1920, 1939), the Hague (1927), Amsterdam (1928), Brussels (1937, 1947), Madrid (1962), Paris (1987), Cape Town (1997), Neuchâtel (1998) and Lausanne (1999), official male and female championships, called Open World Championships (called European Championships until 1936) are held annually under the auspices of the FIE, for both individuals and teams, in foil, épée and saber.

In accordance with the decisions taken by the Congresses held at Paris (1949, 1951, 1959), Venice (1955), Madrid (1962), Gdansk (1963), Paris (1987), Neuchâtel (1998) and Lausanne (1999), World Junior Championships are held annually under the auspices of the FIE, comprising individual and team competitions, both male and female, in foil, épée and saber.

In accordance with the decisions made by the Congress in Paris in 1985 and 1986 and Luxembourg in 1990, a World Cadet Championship, recognized as an official event of the FIE, is held annually. In accordance with decisions taken by the Congress held at Neuchâtel (1998), the World Cadet Championships consist of individual competitions, both male and female, in foil, épée and saber.

BOOK 1. TECHNICAL RULES

PART I. GENERAL RULES AND RULES COMMON TO THE THREE WEAPONS

CHAPTER 1. APPLICATION OF THE RULES

Obligatory use of the Rules

- t.1** These Rules are obligatory without modification for the ‘Official Competitions of the FIE’, viz.:
- The World Championships, in all categories
 - The fencing events at the Olympic Games
 - All World Cup competitions.

CHAPTER 2. GLOSSARY

A. COMPETITIONS

1. Assaults and bouts

- t.2** A friendly combat between two fencers is called an *assault*. When the score of such an assault is kept to determine a result it is called a *bout*.

2. Match

- t.3** The aggregate of the bouts fought between the fencers of two different teams is called a match.

Note: In French, the word “match” means a combat between two fencers (“bout” in English). In English, the word “match” means a contest between two teams (“rencontre” in French).

3. Competition of the bouts (individual competitions) or of the matches (team competitions) required to determine the winner of the event.

Competitions are distinguished by weapons, by the competitors’ sex, by their age and by the fact that they are for individuals or for teams.

4. Championship

- t.5** A *championship* is the name given to a competition held to determine the best fencer or the best team at each weapon for a federation, for a specific region or for the world and for a specific period of time.

B. EXPLANATION OF SOME TECHNICAL TERMS COMMONLY USED IN THE JUDGING OF FENCING¹

1. Fencing time

- t.6** *Fencing time* is the time required to perform one simple fencing action.

2. Offensive and defensive actions

- t.7** The *offensive actions* are the attack, the riposte and the counter-riposte.

— The *attack* is the initial offensive action made by extending the arm and continuously threatening the opponent’s target, preceding the launching of the lunge or *flèche* (cf. t.56ss, t.75ss).

— The *riposte* is the offensive action made by the fencer who has parried the attack.

— The *counter-riposte* is the offensive action made by the fencer who has parried the riposte.

The *defensive actions* are the parries.

— The *parry* is the defensive action made with the weapon to prevent an offensive action arriving.

3. Explanation

t.8 *Offensive actions*

(a) The *attack*

The action is *simple* when it is executed in one movement and is

— either *direct* (in the same line)

— or *indirect* (in another line).

The action is *compound* when it is executed in several movements.

(b) The *riposte*

The riposte may be *immediate* or *delayed*, depending on what action takes place and the speed at which it is carried out.

Ripostes are:

1. simple, direct

— *Direct riposte*: a riposte which touches the opponent without leaving the line in which the parry was made.

— *Riposte along the blade*: a riposte which touches the opponent by grazing along the blade after the parry.

2. simple, indirect

— *Riposte by disengagement*: a riposte which touches the opponent in the opposite line to that in which the parry was formed (by passing under the opponent’s blade if the parry was formed in the high line, and over the blade if the parry was formed in the low line).

— *Riposte with a coupé*: a riposte which touches the opponent in the opposite line to that in which the parry was formed (the blade always passing over the opponent’s point).

3. compound

— *Riposte with a doublé*: a riposte which touches the opponent in the opposite line to that in which the parry was formed, but after having described a complete circle round the opponent’s blade.

— *Riposte with a one-two*: a riposte which touches the opponent in the same line as that in which the parry was formed but after the blade has first been into the opposite line, by passing under the opponent’s blade.

(c) *Counter-attacks*

Counter-attacks are offensive or offensive–defensive actions made during the offensive action of the opponent.

1. The *stop hit*

A counter-attack made into an attack.

2. The *stop hit made with opposition*

A counter-attack made while closing the line in which the opponent’s attack will be completed (cf. t.56ss, t.64ss and t.76ss).

3. The *stop hit made within a period of fencing time*, i.e. ‘in time’ (cf. t.59, t.79).

(d) Other offensive actions

1. The *remise*

A simple and immediate offensive action which follows the original attack, without withdrawing the arm, after the opponent has parried or retreated, when the latter has either quitted contact with the blade without riposting or has made a riposte which is delayed, indirect or compound.

2. The *redoublement*

A new action, either simple or compound, made against an opponent who has parried without riposting or who has merely avoided the first action by retreating or displacing the target.

3. The *reprise of the attack*

A new attack executed immediately after a return to the on-guard position.

¹ It is stressed that this section in no way replaces a treatise on fencing and is only included in order to help the reader to understand the Rules.

4. *Counter-time*

Every action made by the attacker against a stop hit made by his opponent.

4. **Defensive actions**

t.9 Parries are *simple, direct*, when they are made in the same line as the attack.

They are *circular* (counter-parries) when they are made in the opposite line to that of the attack.

5. **The point in-line position**

t.10 The point in-line position is a specific position in which the fencer's sword arm is kept straight and the point of his weapon continually threatens his opponent's valid target (cf. t.56, t.60, t.76, t.80).

CHAPTER 3. THE FIELD OF PLAY

t.11 The field of play should have an even surface. It should give neither advantage nor disadvantage to either of the two fencers concerned, especially as regards light.

t.12 That portion of the field of play which is used for fencing is called the *strip*. Competitions at the three weapons are fenced on the same strips.

t.13 The strip is from 1.50 meters to 2 meters wide.

The strip is 14 meters long, so that each competitor being placed at 2 meters from the centre line has at his disposal for retreating a total distance of 5 meters without it being necessary for him to cross the rear limit of the strip with both feet.

t.14 Five lines should be drawn very clearly on the strip at right angles to its length, as follows:

- one *centre line* which must be drawn as a broken line across the whole width of the strip;
- two *on-guard lines* at 2 meters on each side of the centre line. These must be drawn across the whole width of the strip;
- two *lines at the rear limits* of the strip, which must be drawn across the whole width of the strip, at a distance of 7 meters from the centre line. In addition, the last 2 meters of the strip before these rear limit lines must be clearly distinguished — if possible by a different colour of strip — to make it easy for the fencers to be aware of their position on the strip (see Figures 1 and 2).

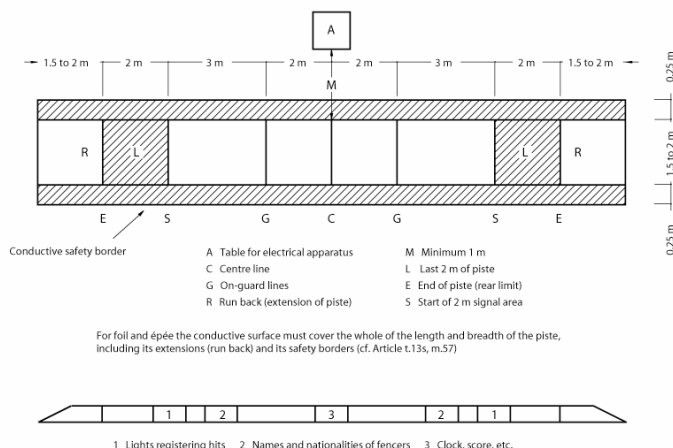
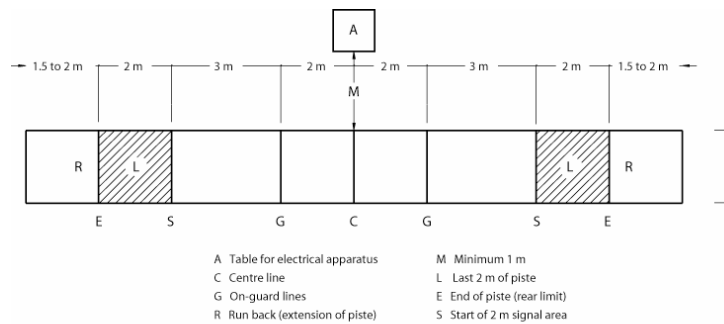


Figure 1. Strip for Semi-Finals and Finals (maximum height 50 cm)



For foil and épée the conductive surface must cover the whole of the length and breadth of the piste, including its extensions (run back) (cf. Article T.13s, m.57)

Figure 2. Standard Strip for all three weapons

CHAPTER 4. THE FENCERS' EQUIPMENT (Weapons — Equipment — Clothing)

Responsibility of fencers

- t.15** Fencers arm, equip and clothe themselves and fence at their own responsibility and at their own risk.

The safety measures specified in the Rules and in the standards contained in the Appendix to them and the methods of control laid down in the present Rules (cf. Material Rules) are only designed to *increase* the fencers' safety and cannot *guarantee* it. They cannot, therefore, whatever the manner in which they are applied, impart responsibility to the FIE, or to the organizers of competitions, to the officials or personnel who carry out such organization, or to those who may cause an accident.

CHAPTER 5. FENCING1. Method of holding the weapon

- t.16** With all three weapons, defence must be effected exclusively with the guard and the blade used either separately or together.

If the handle has no special device or attachment or special shape (e.g. orthopaedic), a fencer may hold it in any way he wishes and he may also alter the position of his hand on the handle during a bout. However, the weapon must not be — either permanently or temporarily, in an open or disguised manner — transformed into a throwing weapon; it must be used without the hand leaving the hilt and without the hand slipping along the hilt from front to back during an offensive action.

When the handle has a special device or attachment or has a special shape (e.g. orthopaedic) it must be held in such a way that the upper surface of the thumb is in the same plane as the groove in the blade (in foil or épée) and perpendicular to the plane of the flexibility of the blade in saber.

The weapon must be used with one hand only; a fencer may not change hands until the end of the bout, unless the Referee gives special permission in the case of injury to the hand or arm.

2. Coming on guard

- t.17** The fencer whose number is called first should place himself on the right of the Referee, except in the case of a bout between a right- and a left-hander, if the left-hander is called first.

The Referee places each of the two competitors in such a way that the front foot of each is 2 meters from the centre line of the strip (that is, behind the 'on-guard' lines).

Competitors are always put on guard, whether at the beginning of the bout or subsequently, in the centre of the width of the strip. When placed on guard during the bout, the distance between the two

competitors must be such that, in the position 'point in-line,' the points of the two blades cannot make contact

After the scoring of a valid touch the competitors are put on guard in the middle of the strip. If no touch is awarded they are replaced in the position that they occupied when the bout was interrupted.

At the beginning of each period (in a direct elimination bout) and of any additional minute of fencing time, the fencers are placed on guard in the middle of the strip.

The competitors may not be replaced on guard, at their correct distance, in such a way as to place behind the rear line of the strip a fencer who was in front of that line when the bout was halted.

If he already had one foot behind the rear line, he remains in that position.

If a fencer has crossed the lateral boundaries of the strip, he may be put back on guard at the correct distance even if this places him behind the rear line and thereby causes a touch to be awarded against him.

Competitors come on guard when the Referee gives the order 'On guard', after which the Referee asks, 'Are you ready?'. On receiving an affirmative reply, or in the absence of a negative reply, he gives the command for fencing to commence with the word 'Fence'.

The fencers must come on guard correctly and remain completely still until the command 'Fence' is given by the Referee. In foil and saber fencers may not come on guard in the 'in line' position.

3. Beginning, stopping and restarting the bout

- t.18** 1. Beginning the bout

The start of the bout is signalled by the word 'Fence'. No movement made or initiated before the word 'Fence' is counted.

2. Stopping the bout

The bout stops on the word 'Halt', except in the case of special events occurring which modify the regular and normal conditions of the bout (cf. also t.32).

As soon as the order 'Halt' has been given, a competitor may not start a new action; only the movement which has been begun before the order was given remains valid. Everything which takes place afterwards is entirely non-valid (But cf. t.32).

If a competitor stops before the word 'Halt', and is touched, the touch is valid.

The order 'Halt' is also given if the fencing of the competitors is dangerous, confused, or contrary to the Rules, if one of the

competitors is disarmed or leaves the strip, or if, while retreating, he approaches too near the spectators or the Referee (cf. t.28, t.55/6 and t.73/j).

3. Leaving the strip

The Referee may not allow a fencer to leave the strip, save in exceptional circumstances. If a competitor does so without permission he is liable to incur the penalties enumerated in Articles t.114, t.116, t.120).

4. Fencing at close quarters

- t.19** Fencing at close quarters is allowed so long as the competitors can wield their weapons correctly and the Referee can, in foil and saber, follow the phrase.

5. Corps à corps

- t.20** Corps à corps is said to exist when the two competitors are in contact; when this occurs the Referee must stop the bout (cf. t.25, t.63).

In foil and saber it is forbidden for a fencer to cause corps à corps (even without brutality or violence). Should such an offence occur, the Referee will penalize the fencer at fault as specified in Articles t.114, t.116, t.120 and any touch scored by the fencer at fault is annulled.

In all three weapons it is forbidden for a fencer to cause corps à corps intentionally to avoid being touched, or to jostle the opponent. Should such an offence occur, the Referee will penalize the fencer at fault as specified in Articles t.114, t.116, t.120 and any touch scored by the fencer at fault is annulled.

6. Displacing the target and passing the opponent

- t.21** Displacing the target and ducking are allowed even if during the action the unarmed hand comes into contact with the strip.

It is forbidden to turn one's back on one's opponent during the bout.

Should such an offence occur, the Referee will penalize the fencer at fault as specified in Articles t.114, t.116, t.120 and any touch scored by the fencer at fault is annulled.

When a fencer goes past his opponent during a bout, the Referee must immediately call 'Halt' and replace the competitors in the positions which they occupied before the passing took place.

When touches are made as a fencer passes his opponent, the touch made immediately is valid; a touch made after passing his opponent by the competitor who has made the passing movement is annulled, but the touch made immediately, even when turning round, by the competitor who has been subjected to the offensive action, is valid.

If during a bout a fencer who has made a flèche attack has a touch registered against him and he continues to run beyond the extreme limit of the strip sufficiently far to cause his reel or the connecting line to his reel to be torn out, the touch which he has received will not be annulled (cf. t.103).

7. Substitution and use of the non-sword hand and arm

- t.22** The use of the non-sword hand and arm to carry out an offensive or defensive action is forbidden (cf. t.114, t.116, t.120). Should such an offence occur, the touch scored by the fencer at fault is annulled.

In foil and saber, it is forbidden to protect the target area or to substitute another part of the body for the target area, either by covering or by an abnormal movement (cf. t.114, t.116, t.120); any touch scored by the fencer at fault is annulled.

During the bout, the fencer must not, under any circumstances, take hold of any part of the electrical equipment with the non-sword hand (cf. t.114, t.116, t.120); any touch scored by the fencer at fault is annulled.

- t.23** If during a bout the Referee notices that one of the fencers is making use of the non-sword arm and/or hand, or is protecting or covering the valid target with a non-valid surface, the Referee can call for the help of two neutral judges who will be designated by the Technical Directory. These judges, one on each side of the strip, will watch all

aspects of the bout and will indicate, by raising their hand or when asked by the Referee, if the non-sword arm or hand has been used, or if the fencer has protected or covered the valid target with a non-valid surface (cf. t.49, t.114, t.116, t.120).

The Referee may also make the fencers change places so that the fencer committing this fault does not have his back to the Referee.

8. Ground gained or lost

- t.24** When the order 'Halt' is given, ground gained is held until a touch has been given. When competitors are replaced on guard, each fencer should retreat an equal distance in order to keep fencing distance (cf. t.17).

- t.25** However, if the bout has been stopped on account of corps à corps, the fencers are replaced on guard in such a position that the competitor who has sustained the corps à corps is at the place which he previously occupied; this also applies if his opponent has subjected him to a flèche attack, even without corps à corps.

9. Crossing the limits of the strip

(a) Stopping the bout

- t.26** When a competitor crosses one of the lateral boundaries of the strip with one or both feet, the referee must immediately call 'Halt'.

If the fencer goes off the strip with both feet, the referee must annul everything that has occurred after the boundary has been crossed, except a touch received by the competitor who has crossed the boundary even after he has crossed it, provided that this touch results from a simple and immediate action. However, a touch scored by the fencer who leaves the strip with one foot only is valid provided that the action was started before the 'Halt'.

If one of the competitors leaves the strip with both feet, only a touch made by the fencer who remains on the strip with at least one foot can be counted valid, even in the case of a double touch.

(b) Rear limits

- t.27** Should a competitor cross the rear limit of the strip completely — i.e. with both feet — a touch will be scored against him/her.

(c) Lateral boundaries

- t.28** A competitor who crosses one of the lateral boundaries of the strip with one or both feet is penalized. When the competitors are replaced on guard, the opponent of the competitor who has crossed the lateral boundary will step forward one meter from the position he occupied when his opponent left the strip; the competitor who is penalized must retreat in order to resume the correct fencing distance.

If the exercise of this penalty places a competitor with both feet beyond the rear limit of the strip, that competitor is considered as having been touched.

A competitor who crosses one of the lateral boundaries of the strip with one or both feet — e.g. when making a fleche — to avoid being touched will be penalized as specified in Articles t.114, t.116, t.120.

(d) Leaving the strip accidentally

- t.29** A competitor who unintentionally crosses one of the boundaries of the strip as the result of any *accidental cause* (such as jostling) incurs no penalty whatever.

10. Duration of the bout

t.30 Duration of the bout is held to mean the *effective duration*, that is the total of the intervals of time between the orders 'Fence' and 'Halt'.

The duration of the bout is registered by the Referee or by a time-keeper. For the finals of all official competitions, as well as for all bouts for which a chronometer is visible to the spectators, the chronometer must be so placed that it is visible to the two fencers on the strip and to the Referee.

The effective duration of a bout is:

— For pools, 5 touches, maximum 3 minutes

— For direct elimination bouts, 15 touches, maximum 9 minutes divided into 3 periods of 3 minutes, with one minute's pause between any two periods.

— For team matches, 3 minutes for each *round* or bout

t.31 The fencers may ask how much time they have left to fence each time that the fencing is interrupted.

Any fencer who attempts improperly to cause or to prolong interruptions to the bout is penalized as specified in Articles t.114, t.116, t.120.

t.32 At the expiration of the regulation fencing time, if the clock is linked to the scoring apparatus (obligatory standard for finals of official FIE competitions), it must set off automatically a loud audible signal, and automatically cut off the scoring apparatus, without cancelling touches registered before the disconnection. The bout stops with the audible signal.

If the clock is not linked to the scoring apparatus, the time-keeper must shout 'Halt' (or operate a sound signal) which stops the bout; in this case, even a 'coup lance' is not valid.

Should there be a failure of the clock or an error by the time-keeper, the Referee must estimate how much fencing time is left.

11. Accidents, withdrawal of a competitor

t.33 For an accident which occurs in the course of a bout and which is properly attested by the delegate of the FIE Medical Committee or by the doctor on duty, the Referee will allow a break in the bout lasting no longer than 10 minutes. This break should be timed from the point when the doctor gave his opinion and be strictly reserved for the treatment of the accident which brought it about. If the doctor considers, before or at the end of the 10-minute break, that the fencer is incapable of continuing the bout, the fencer must withdraw (individual events) and/or be replaced, if possible (team events) (cf. o.44).

During the remainder of the same day, a fencer cannot be allowed a further break unless as a result of a different injury.

Should a fencer demand a break which is deemed by the delegate of the Medical Committee or by the doctor on duty to be unjustified, the Referee will penalize that fencer as specified in Articles t.114, t.117, t.120.

In team events a fencer judged unable to continue the event by the doctor may, nevertheless, on the advice of the same doctor, fence in subsequent matches on the same day.

The Technical Directory may modify the order of bouts in a pool in order to ensure the efficient running of the competition (cf. o.16).

CHAPTER 6. REFEREEING AND JUDGING OF TOUCHES

t.34 By accepting a position as referee or judge, the person so designated pledges his honor to respect the rules and to cause them to be respected, and to carry out his duties with the strictest impartiality and absolute concentration.

Referees may not combine their function with any other activity during the tournament, such as member of the Technical Directory, team captain, official delegate of their national federation, trainer, etc.

1. The Referee

t.35 All bouts in fencing are directed by a Referee who must be in possession of an up-to-date US or international refereeing license. For reasons of expedience, National category Referees who are candidates for the FIE refereeing exams are authorized to referee Junior World Cup competitions.

The Referee has many duties.

The Referee:

- (a) calls the roll of the competitors (cf. t.86).
- (b) directs the bout.
- (c) before each bout he must check the weapons, clothes and equipment of the fencers, according to the regulations described below.
- (d) superintends the proper functioning of the electrical apparatus. Either on his own initiative or when asked to do so by a team captain or competitor, he implements tests necessary to verify the apparatus and locate any faults which may be found. He will prevent the competitors from hindering the tests by unplugging or changing their equipment at the wrong moment.
- (e) directs the judges, time-keepers, scorers, etc.
- (f) positions himself and moves in such a way as to be able to follow the bout while always being able to see the illumination of the signal lamps.
- (g) penalizes faults (cf. t.96).
- (h) awards the touches (cf. t.40ss).
- (i) maintains order (cf. t.96).
- (j) whenever he considers it necessary, he should consult the experts concerning the electrical apparatus (cf. o.7).

2. Judges

t.36 The Referee fulfils his/her functions with the aid of an apparatus for the automatic registering of touches; he/she may also be assisted by two judges watching for the use of the unarmed hand or arm, substitution of the valid target, touches scored on the floor in *épée*, leaving the strip to the side or the rear or any other offence defined in the Rules (cf. t.120).

The judges are obligatory for all individual competition finals (whether of 4 or 8 fencers) and for the final (2 teams) of team events.

The judges are placed on each side of the Referee, on either side of the strip; they watch all aspects of the entire bout.

The judges must change ends halfway through each bout or after each period in direct elimination bouts and after each bout in team matches, so as not to watch the same fencer the whole time.

3. Attribution of referees

1. Olympic Games and World Championships

(a) Individual competitions

t.37 For the rounds of pools and the preliminary direct elimination table, the delegates of the Refereeing Committee select referees by lot.

For the main direct elimination table, the delegates of the Refereeing Committee establish a list of a sufficient number of the best referees present, taking account of their nationalities. These referees are assigned by drawing lots to each quarter of the table to referee the bouts in the order of the table. If it is not possible to proceed in this way, the refereeing delegates may switch over the referees between the different quarters of the table.

At the end of each round, the delegates of the Refereeing Committee may withdraw a referee whose performance was not satisfactory. However, a referee will not be changed in the course of a bout except in exceptional circumstances (e.g. physical disability of the referee). In such a case the decision will be made by the delegates of the Refereeing Committee (this rule is equally valid for team competitions).

For the final, the delegates of the Refereeing Committee provide a list of from 4–8 referees, of whom:

— 2–4 must be entirely neutral;

— 2–4 may be chosen without taking account of their nationality.

For the first four bouts, referees are selected by lot from among the entirely neutral ones.

After the first four bouts, lots are again drawn, taking account of the nationalities of the fencers still qualified.

The drawing of lots is done with the help of a computer.

t.38 (b) Team competitions

The delegates of the Refereeing Committee and the Technical Directory will choose referees who seem to them competent from among the neutral A and B Grade referees present, and lots will be drawn between these referees.

2. World Cup Competitions

t.39 The Technical Directory, assisted for finals by the Official Observer of the FIE, applies the rules described in Articles t.37 and t.38, above.

4. Method of judging touches

(a) Materiality of the touch

t.40 The materiality of the touch is established according to the indications of the apparatus, and when necessary by consulting the judges (cf. t.36).

Only the indications of the electrical apparatus as indicated by its own lamps or by the extension lamps can be taken into consideration for judging touches. Under no circumstances can the Referee declare a competitor to be touched unless the touch has been properly registered by the apparatus (except as provided for in Articles t.49, o.17, o.24 or when a penalty touch has been awarded).

t.41 On the other hand, the Referee should, in the cases enumerated for each weapon, annul a touch registered by the apparatus (cf. t.53ss, t.66ss, t.73).

(b) Validity or priority of the touch

t.42 As soon as the bout has stopped, the Referee reconstructs briefly the movements which composed the last fencing phrase.

For finals, the Referee may make use of a television monitor to check on his decision should he be uncertain.

After reaching his decision regarding the materiality of a touch, the Referee, by applying the rules, decides against which fencer a touch is to be awarded, whether both are touched (épée) or if there is no valid touch (cf. t.55ss, t.64ss, t.74ss).

The Referee would use the following signals (see Figure 3, p. 16).

Hand Signals for USFA Referees

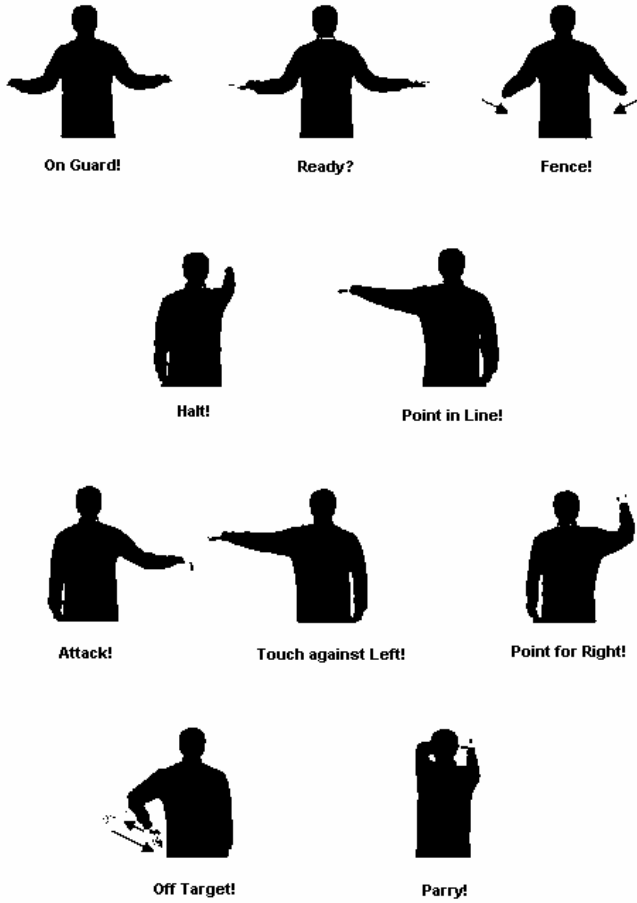


Figure 3a. Referee Hand Signals

Hand Signals for USFA Referees



Double Touch!



Point for Each Fencer!



Simultaneous Attack!



No Touch!



No!



Preparation!



Yellow Card: Warning
Red Card: 1 Touch Against
Black Card: Exclusion

Notes

- 1st The Referee calls the action and give the hand gestures at the same time.
- 2nd The Referee should refrain from excessive verbage; Use only the appropriate phrase with the gesture i.e. Attack from Left! Parry! Reposte! Touch against Right! Point for Left!
- 3rd After the action is called, the fencers may ask the referee to restate the analysis of the phrase.
- 4th Each gesture should last for 1-2 seconds; be expressive and correct in their execution.

Figure 3b. Referee Hand Signals

Before the start of each pool, team match or bout by direct elimination, the Referee must assemble all the competitors on the strip and verify that (cf.t.35):

- in all weapons, the FIE guarantee label is present on the fencers' equipment (clothing, masks). (See the USFA note below)
- in foil, the conductive jacket conforms to the provision of Article m.28 when each competitor is standing upright, is on guard and is in the lunge position;
- in épée, the material from which the clothing is made has not too smooth a surface, and the competitor is wearing a jacket conforming to the regulations;
- in saber, the conductive jacket conforms to the provision of Article m.34 when each competitor is standing upright, is on guard and is in the lunge position;
- in all three weapons, each fencer is wearing, under his jacket, a regulation protective under-plastron, made of cloth which can resist 800 Newtons. (See the USFA note below)
- in all three weapons, that the fencer is not equipped with any electronic communication equipment which would allow a person off the strip to communicate with the fencer during the bout

For bouts in the direct elimination and the finals of the World Championships and the Olympic Games, and for finals of World Cup competitions, the two fencers in each bout will go to the material checking zone, located near the strip, 30 minutes before they are due on the strip. Their equipment will be checked under the responsibility of the SEMI (or the designated expert for finals of World Cup competitions). If any anomaly is identified the equipment at fault will be changed at once, without any penalty being applied. The SEMI delegate will hand over the bodycords, the masks and the weapons that have been checked to the Referee for the bout. Ten minutes before they are due on the strip the fencers will report to the Referee designated for their bout. The Referee will hand over a bodycord to each of the fencers in the access zone for the strip. He will check that the fencers are wearing regulation under-jacket protection. The Referee and the fencers must stay together in the access zone until they go on the strip. One minute before they go on the strip the Referee will give a weapon to each fencer, for him to plug in his bodycord. No check will be carried out on the strip prior to the bout.

Competition organizers must organize a waiting area where the fencers can warm-up during this checking procedure.

t.44 In addition to the checks mentioned above, the Referee of a bout may at any time, on his own initiative or at the request of a fencer or of a team captain, carry out such checks, or verify the checks already carried out or even carry out, or have carried out, new checks (cf.t.35).

He will in any case, before each bout, ensure that the guarantee label is present on the clothing, the blade and the mask of each fencer, and that the insulation of the wires inside the guard and the pressure of the spring in the point of foils and épées conform with the Rules. Checking the insulation of the wires and the pressure of the spring will be repeated each time a weapon is changed. In all three weapons, he will check that the fencer is not equipped with electronic communication equipment which would allow a person off the strip to communicate with the fencer during the bout.

In épée he will check the total travel and the residual travel of the pointe d'arrêt:

- He will check the total travel by inserting a gauge measuring 1.5 mm between the barrel of the pointe d'arrêt and the tip. This gauge, provided by the Organizing Committee, may have a tolerance of ± 0.05 mm, i.e. from 1.45 mm to 1.55 mm.
- He will check the residual travel by inserting a gauge measuring 0.5 mm between the barrel of the pointe d'arrêt and the tip. The apparatus should not register when the point is depressed. This gauge, provided by the Organizing Committee, may have a tolerance of ± 0.05 mm, i.e. from 0.45 mm to 0.55 mm.

For details of the weight used for the check, see Part 1, Chapter 1 of the Material Rules.

At the beginning of the bout, the Referee will place the reserve equipment that has been checked near the appropriate end of the strip for the fencer concerned.

6. Non-regulation equipment

t.45 In whatever circumstances a fencer on the strip is found to be in possession of equipment which is non-regulation or defective, this equipment will be immediately confiscated and submitted to the experts on duty for examination (cf.m.8, m.9, m.12, m.13, m.16, m.17, m.23).

The equipment in question will only be returned to the owner after the measures necessitated by this examination have been completed and, if appropriate, after the payment of any expenses for repairs. The equipment must be rechecked before it is used again.

1. If a fencer appears on the strip:

- with only one regulation weapon conforming with the Rules (cf. t.86); or
 - with only one regulation bodycord; or
 - with a weapon or a bodycord which does not work or which does not conform with the Rules; or
 - without his protective under-plastron (cf. t.44 above); or
 - with a conductive jacket which does not fully cover the valid target; or
 - with clothing which does not conform with the Rules;
- the Referee will apply the penalties according to Articles t.114, t.116, t.120 (first group).

2. When during a bout an irregularity is found in the equipment which could be caused by conditions during the bout:

Examples:

- conductive jacket with holes in which touches are registered as non-valid,
- weapon or bodycord no longer functioning,
- pressure of the spring in the point too weak,
- the travel in the point no longer regulation,

the referee will apply neither warning nor penalty and any touch scored with the equipment that has become defective will be awarded.

However, even during the course of a bout, any fencer whose weapon, at the moment he presents himself on guard and ready to fence, has a curve, which exceeds that permitted (cf.m.8, m.16, m.23) will be penalized in accordance with articles t.114, t.116 and t.120.

On the contrary, any touch made with the equipment which has become defective will be awarded.

3. If, when a fencer appears on the strip or during a bout, it is established that the equipment used by the fencer:

- (a) does not bear the marks applied at the preliminary check, the Referee will:
 - annul the last touch, if any, scored by the fencer at fault;
 - penalize him as specified in Articles t.114, t.117, t.120.
- (b) does not conform to the rules in a way not covered by the preliminary check, the Referee will:
 - penalize him as specified in Articles t.114, t.116, t.120.
- (c) has been passed by the preliminary check but presents irregularities which could have been made deliberately; or
- (d) bears the marks of the preliminary check which have been imitated or transferred; or
- (e) has been altered in any way to allow the recording of touches or the nonfunctioning of the apparatus at will; then, in cases (c), (d), (e) and (f), the Referee must immediately confiscate the equipment (weapon, bodycord and if necessary the conductive jacket, mask, etc) and have it examined by the expert on duty.
- (f) is equipped with electronic communication equipment permitting a person outside the strip to communicate with the fencer during the bout.

In cases (c), (d), (e) and (f), the referee must immediately confiscate the equipment concerned (weapon, bodywire, if necessary conductive jacket, mask et cetera) and have it examined by the expert on duty.

– in cases e) and f), the Referee will penalize the fencer as specified in Articles t.114, t.119, t.120.

While awaiting the decision of the Referee that bout will be suspended but the other bouts in the pool may continue.

Every fencer must appear on the strip with clothing conforming to the rules as follows:

- Name and nationality, in accordance with the rules, on the back of the jacket (application in all FIE competitions, at all stages of the competitions)

- Wearing his national clothing (cf. m.25.3) application as follows:

a) Open, Junior and Cadet World Championships, all bouts, whether in a pool, in the direct elimination or during a team match;

b) Individual senior World Cup competitions, all direct elimination bouts from the 64 onwards;

c) World Cup team competitions, all bouts in every match.

In case of violation of this rule:

For the competitions mentioned in items a) and c) above, the referee shall eliminate the fencer at fault, and he will not be allowed to participate further in the event.

For the competitions mentioned in item b) above, the referee shall penalize the fencer at fault with a Red card (Articles t.114, t.117, t.120, 2nd group). The fencer at fault shall however be allowed to remain on the strip and fence the bout concerned.

USFA Note:

In all three weapons, each fencer's last name must be printed by hand or machine in capital letters between 8 and 15 cm high: either (1) on the back of the uniform or lame between the shoulders; (2) on the front or side of the thigh of the "rear" leg; or (3) on a piece of fabric or lame material that is firmly sewn to the uniform in such a way that it will not detach during fencing or catch the opponent's point. Fabric attached to the uniform must be the same color as the part of the uniform to which it is attached. Conductive materials must be attached in such a way as to not alter the conductivity of the metallic vest or jacket. NAMES PRINTED ON TAPE ARE NOT ACCEPTABLE.

The use of an FIE homologated uniform and mask is not required for USFA competitions. However:

The protective plastron must:

- 1 *have at least two layers;*
 - 2 *include a sleeve down to the elbow without opening or seam in the region of the armpit; and*
 3. *ensure the best possible protection. It may be fixed to the jacket without being entirely sewn in*
 4. *it does not need to be constructed of 800 Newton material.*
-

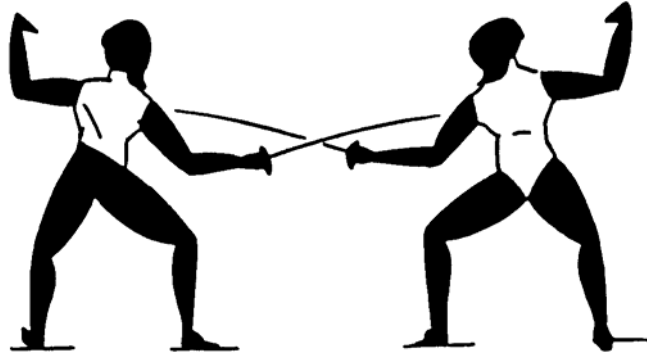


Figure 4. Valid target in foil

PART 2. FOIL

THE CONVENTIONS OF FENCING

A. METHOD OF MAKING A TOUCH

- t.46** The foil is a thrusting weapon only. Offensive actions with this weapon are made therefore with the point and with the point only.

Pushing or letting drag the point of the electric weapon on the electric strip is forbidden during the actual bout (between 'Fence' and 'Halt'). Placing the point of the weapon on the strip at any time to straighten it is also forbidden.

B. TARGET

1. Limitation of the target

- t.47** In foil, only touches which arrive on the target are counted as valid.

The target in foil excludes the limbs and the head. It is confined to the trunk, the upper limit being the collar up to 6 cm above the prominences of the collar bones; at the sides to the seams of the sleeves, which should cross the head of the humerus; and the lower limit following a horizontal line across the back joining the tops of the hip bones, then by straight lines to the junction of the lines of the groin (see Figure 4, above).

2. Touches off the target

- t.48** A touch which is made on a part of the body other than the target (whether directly or as a result of a parry) is not counted as a valid touch, but it stops the phrase and therefore annuls all touches which are scored thereafter (but cf. t.49).

3. Extension of the valid target

- t.49** However, touches which arrive off the target are counted as valid whenever, by reason of an abnormal position, the fencer has substituted this non-valid target for the valid target. The Referee may question the judges about this, but he alone must decide whether the touch is valid or not.

C. JUDGING OF TOUCHES IN FOIL

- t.50** Foil competitions are scored with an electrical scoring apparatus.

I. MATERIALITY OF THE TOUCH

- t.51** Only the indications of the scoring apparatus can be taken into consideration for judging the materiality of touches. The Referee cannot declare a competitor to be touched unless the touch has been properly registered by the apparatus (except as provided for in Articles t.49, or when a penalty touch has been awarded).

- t.52** When using the apparatus it should be noted that:

- If a non-valid touch has been scored, the apparatus will not register a subsequent valid touch scored on the same side of the apparatus.
- The apparatus does not indicate whether there is any priority in time between two or more touches which it registers simultaneously.

II. ANNULMENT OF A TOUCH

- t.53** 1. The Referee will disregard touches which are registered as a result of actions:
- started before the word 'Fence' or after the word 'Halt' (cf. t.18);
 - which are made on any object other than the opponent or his equipment (cf. t.41).

A competitor who intentionally causes the apparatus to register a touch by placing his point on the ground or on any surface other than that of his opponent will be penalized as specified in Articles t.114, t.116, t.120.

Fencers are forbidden to place a non-insulated part of their weapon in contact with their conductive jacket with the intention of jamming the electrical apparatus and thus avoiding being touched.

The penalty for committing such an offence is specified in Articles t.114, t.116, t.120. Any touch scored by the fencer at fault is annulled.

- t.54** 2. The Referee must, on the other hand, take into account possible failures of the electrical equipment, in particular:

- He must annul a touch which he has just awarded as a result of a touch signalled as on the valid target (coloured lamp) if he establishes, by tests made under his personal supervision, before the bout has effectively recommenced (the command 'Fence') and without any of the equipment in use having been changed (cf. t.35/d):

- either that a touch registered as 'valid' against the competitor against whom the touch has been

awarded can be made without there being in fact a valid touch;

- or that a ‘non-valid’ touch made by the fencer against whom the touch was awarded is not registered by the apparatus;
- or that a ‘valid’ touch made by the fencer against whom the touch was awarded does not cause any touch either valid or non-valid to be registered;
- or that the registration of touches made by the competitor against whom the touch was awarded does not remain recorded on the apparatus.

- (b) On the other hand, when the Referee has decided that a touch made by a competitor has priority, this touch shall not be annulled if subsequently it is found that a valid touch made by the opponent is registered as non-valid or that the weapon of the fencer against whom the touch was awarded is permanently registering a non-valid touch.
- (c) If a fencer’s equipment does not conform to the provisions of Articles m.27 and m.28, a touch made off the target which is registered by the apparatus as valid will not be annulled.

3. The Referee must also apply the following rules:

- (a) Only the last touch made before the fault was established can be annulled.
- (b) A competitor who makes any modification in or who changes his equipment without being asked by the Referee to do so, before the Referee has given his decision, loses all right to the annulment of the touch (cf. t.35/d).
- (c) If the bout has effectively recommenced, a competitor cannot claim the annulment of a touch awarded against him before the said recommencement of the bout.
- (d) The location of a fault found in the equipment (including the equipment of the competitors) is of no importance for this possible annulment.
- (e) It is not necessary that the failure found should repeat itself each time a test is made; but it is essential that the fault should be manifested to the Referee without the possibility of doubt at least once during the tests made by him or under his supervision.
- (f) When a competitor against whom a touch has been registered has broken his blade, the touch must be annulled unless the breaking of the blade has occurred clearly after the touch has been registered.
- (g) The Referee must pay particular attention to touches which are not registered or which are registered abnormally. Should such defects be repeated, the Referee must ask a member of the Committee for Electrical Apparatus and Equipment or an expert technician on duty to verify that the equipment conforms to the Rules.

The Referee must ensure that nothing is altered in the competitor’s equipment or in the whole of the electrical apparatus before the expert carries out his check.

- 4. Whenever accidental causes make it impossible to carry out tests, the touch will be considered doubtful and annulled.
- 5. If touches are registered simultaneously on both sides of the apparatus, and the Referee cannot establish the priority with certainty, he must replace the competitors on guard.
- 6. In accordance with the general rules (cf. t.18) the Referee must stop the bout, even if no touch is registered by the apparatus, whenever fencing becomes confused and he is no longer able to analyze the phrase.

- 7. The Referee should also supervise the state of the conductive strip; he must not allow the bout to commence or to continue if the conductive strip has holes in it which might affect the proper registering of touches. (The organizers must make the necessary arrangements to ensure the rapid repair or replacement of the conductive strip.)

III. VALIDITY OR PRIORITY OF THE TOUCH

1. Preface

- t.55** The Referee *alone* decides as to the validity or the priority of the touch by applying the following basic rules which are the conventions applicable to foil fencing.

2. Respect of the fencing phrase

- t.56** (a) Every attack, that is every initial offensive action, which is correctly executed must be parried or completely avoided and the phrase must be followed through — that is to say, coordinated (cf. t.7).

In order to judge the correctness of an attack the following points must be considered:

- 1. The simple attack, direct or indirect (cf. t.8), is correctly executed when the extending of the arm, the point threatening the valid target, precedes the initiation of the lunge or the flèche.
- 2. The compound attack (cf. t.8) is correctly executed when the arm is extending in the presentation of the first feint, with the point threatening the valid target, and the arm is not bent between the successive actions of the attack and the initiation of the lunge or the flèche.
- 3. The attack with a advance-lunge or a advance-flèche is correctly executed when the extending of the arm precedes the end of the step forward and the initiation of the lunge or the flèche.
- 4. Actions, simple or compound, steps or feints which are executed with a bent arm, are not considered as attacks but as preparations, laying themselves open to the initiation of the offensive or defensive/offensive action of the opponent (cf. t.8).

To judge the priority of an attack when analysing the fencing phrase, it should be noted that:

- 5. If the attack is initiated when the opponent is not ‘point in line’ (cf. t.10), it may be executed either with a direct thrust, or by a disengage, or by a cut-over, or may even be preceded by a beat or successful feints obliging the opponent to parry.
- 6. If the attack is initiated when the opponent is ‘point in line’ (cf. t.10), the attacker must, first, deflect the opponent’s blade. Referees must ensure that a mere grazing of the blades is not considered as sufficient to deflect the opponent’s blade (cf. t.60/2a).
- 7. If the attacker, when attempting to deflect the opponent’s blade, fails to find it (dérolement), the right of attack passes to the opponent.
- 8. Continuous steps forward, with the legs crossing one another, constitute a preparation and on this preparation any simple attack has priority.

- t.57** (b) The parry gives the right to riposte: the simple riposte may be direct or indirect, but to annul any subsequent action by the attacker, it must be executed immediately, without indecision or delay.

- t.58** (c) When a compound attack is made, if the opponent finds the blade during one of the feints, he has the right to riposte.

- t.59** (d) When compound attacks are made, the opponent has the right to stop hit; but to be valid, the stop hit must precede

the conclusion of the attack by an interval of fencing time; that is to say that the stop hit must arrive before the attacker has begun the final movement of the attack.

3. Judging of touches

t.60 The Referee should apply the following basic conventions of foil fencing.

When during a phrase, both fencers touch at the same time, there is either a *simultaneous action* or a *double touch*.

The first of these conditions is due to simultaneous conception and execution of an attack by both fencers; in this case the touches exchanged are annulled for both fencers even if one of them has been touched off the target.

The double touch, on the other hand, is the result of a faulty action on the part of one of the fencers.

Therefore, when there is not a period of fencing time between the touches:

1. *Only the fencer who is attacked is counted as touched:*

- (a) If he makes a stop hit on his opponent's simple attack.
- (b) If, instead of parrying, he attempts to avoid the touch and does not succeed in so doing.
- (c) If, after making a successful parry, he makes a momentary pause which gives his opponent the right to renew the attack (redoublement, remise or reprise).
- (d) If, during a compound attack, he makes a stop hit without being in time.
- (e) If, having his 'point in line' (cf. t.10) and being subjected to a beat or a taking of the blade (prise de fer) which deflects his blade, he attacks or places his point in line again instead of parrying a direct attack made by his opponent.

2. *Only the fencer who attacks is counted as touched:*

- (a) If he initiates his attack when his opponent has his point in line (cf. t.10) without deflecting the opponent's weapon. Referees must ensure that a mere grazing of the blades is not considered as sufficient to deflect the opponent's blade
- (b) If he attempts to find the blade, does not succeed (is the object of a *dérobement*) and continues the attack.
- (c) If, during a compound attack, his opponent finds the blade, but he continues the attack and his opponent ripostes immediately.
- (d) If, during a compound attack, he makes a momentary pause, during which time the opponent makes a stop hit, after which the attacker continues his attack.
- (e) If, during a compound attack, he is stop-hit in time before he begins his final movement.
- (f) If he makes a touch by a remise, redoublement or reprise when his original attack has been parried and his opponent has made a riposte which is immediate, simple, and executed in one period of fencing time without withdrawing the arm.

3. *The Referee must replace the competitors on guard* each time that there is a double touch and he is unable to judge clearly on which side the fault lies.

One of the most difficult cases to judge arises when a stop hit is made and there is doubt as to whether it was made sufficiently in time in relation to the final movement of a compound attack. Generally, in such cases, the double touch occurs through the fault of both fencers concerned, which justifies the Referee replacing them on guard. (The fault of the attacker consists of indecision, slowness of execution or the making of feints which are not sufficiently effective. The fault of the defender lies in delay or slowness in making the stop hit.)

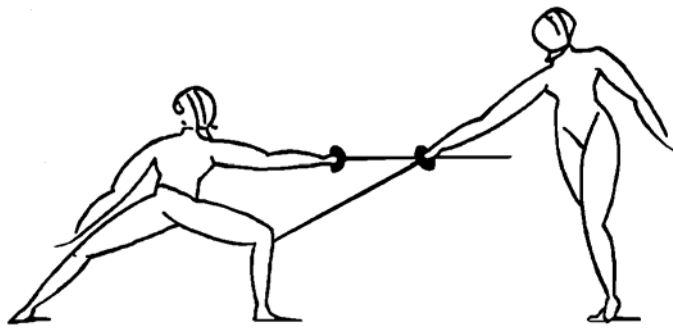


Figure 5. Valid target in épée

PART 3. EPEE

THE CONVENTIONS OF FENCING

A. METHOD OF MAKING A TOUCH

- t.61** The épée is a thrusting weapon only. Attacks with this weapon are therefore made with the point, and with the point only.

Pushing or letting the point of the electric weapon drag on the electric strip is forbidden during the actual bout (between 'Fence' and 'Halt'). Placing the point of the weapon on the strip at any time to straighten it is also forbidden.

Any breaking of this rule will be penalized according to Articles t.114, t.116, t.120.

B. THE TARGET

- t.62** In épée the target includes the whole of the fencer's body including his clothing and equipment.

Thus any point which arrives counts as a touch whatever part of the body (trunk, limbs or head), the clothing or the equipment it touches (see Figure 5, p. 26).

C. CORPS A CORPS AND FLECHE ATTACKS

- t.63** In épée, a fencer who either by a flèche attack or by advancing vigorously brings about a corps à corps even several times in succession (without brutality or violence) does not transgress the basic conventions of fencing and commits no fault thereby (cf. t.20, t.25).

A fencer who intentionally causes corps à corps to avoid being touched or who jostles his opponent is penalized according to Articles t.114, t.116, t.120.

The 'flèche ending systematically in a corps à corps' referred to in this article must not be confused with the 'flèche resulting in a shock which jostles the opponent' which is considered as an act of intentional brutality in all three weapons and is punished as such (cf. t.87, t.120).

On the other hand the 'flèche which is made by running, even going past the opponent', and without a corps à corps is not forbidden: the Referee should not call 'Halt' too soon, in order not to annul a possible riposte; if, when making such a running flèche without touching his opponent, the fencer who makes the flèche crosses the lateral boundaries of the strip, he must be punished as laid down in Article t.28.

D. JUDGING OF TOUCHES IN EPEE

- t.64** Épée competitions are judged with an electrical scoring apparatus.

When both competitors are touched, and the apparatus registers both these touches as valid, there is a *double touch*, that is to say a touch is scored for each competitor.

1. Basic principle

- t.65** Only the indications of the electrical scoring apparatus can be taken into consideration for judging the materiality of touches. The Referee cannot declare a competitor to be touched unless the touch has been properly registered by the apparatus (except when a penalty touch has been awarded).

2. The annullment of touches

- t.66** 1. In arriving at his judgement, the Referee will disregard touches which are registered as a result of actions:

- started before the word 'Fence' or after the word 'Halt' (cf. t.18);
- caused by the meeting of the points of the épées or by a touch made on the ground where it is not insulated;
- or which are made on any object other than the opponent, including his equipment (cf. t.36, t.67/e).

Any competitor who, intentionally, causes the apparatus to register a touch by placing his point on any surface other than that of his opponent, will be penalized as specified in Articles t.114, t.116, t.120.

- t.67** 2. The Referee must take note of possible failures of the electrical equipment and must annul the last touch registered in the following circumstances:

- (a) If a touch made on the guard of the competitor against whom the touch was registered or on the conductive strip causes the apparatus to register a touch;
- (b) If a touch properly made by the competitor against whom the touch was registered does not cause the apparatus to register a touch;
- (c) If the apparatus fortuitously registers a touch on the side of the competitor against whom the touch was registered, for example, after a beat on the blade, by any movements of his opponent, or as a result of any cause other than a properly made touch;
- (d) If the registering of a touch made by the competitor against whom the touch was registered is annulled by a subsequent touch made by his opponent.
- (e) Special cases
 - If a double touch is registered and one touch is valid and the other is not valid (such as a touch made on some surface other than on the opponent (cf. t.66) or a touch made after leaving the strip (cf. t.26ss), only the valid touch is scored.
 - If a double touch is registered by an established touch and a doubtful touch (failure of the electrical apparatus) the fencer who has made the established

touch may choose to accept the double touch or ask to have it annulled.

t.68 3. The Referee must also apply the following rules regarding the annulment of touches:

- (a) Only the last touch which precedes the establishment of the failure of the apparatus may be annulled and then only if it is the competitor against whom the touch was registered who is placed at a disadvantage by the failure.
- (b) The failure must be determined by tests made immediately after the bout was stopped, under the supervision of the Referee and without changing anything whatever of the equipment in use.
- (c) With these tests, one is trying only to establish whether there is material possibility of a mistake in the judgement as a result of a fault. The location of this fault in the electrical equipment, including that of either of the fencers, is unimportant in reaching a decision.
- (d) A competitor who makes any modification in, or changes his equipment without being asked by the Referee to do so, before a judgement is pronounced, loses his right to the annulment of the touch (cf. t.35/d). Similarly after again coming on guard and after the bout has effectively recommenced a competitor cannot claim the annulment of a touch registered against him before the said recommencement of the bout.
- (e) It is not necessary, in order to justify the annulment of a touch, that the failure found should repeat itself each time a test is made, but it is essential that the fault should be established by the Referee without the possibility of doubt at least once.
- (f) If the incidents mentioned in Article t.67 occur as a result of the competitor's bodycord being unplugged (either near the hand or at the back of the fencer), they cannot justify the annulment of the touch registered.

However, if the safety device prescribed by Article m.55/4 is missing or not functioning, the touch should be annulled if the plug at the fencers' back has become unplugged.

- (g) The fact that the épée of a competitor has large or small areas of insulation formed by oxidation, by glue, paint or any other material on the guard, on the blade or elsewhere, on which his opponent's touches can cause a touch to be signalled, or that the electric tip is badly fixed to the end of the blade so that it can be unscrewed or tightened by hand, cannot justify the annulment of touches registered against that competitor.
- (h) When a competitor against whom a touch has been registered has broken his blade, the touch must be annulled unless the breaking of the blade has occurred clearly after the touch has been registered.
- (i) If a competitor tears the conductive strip by a touch made on the ground and, at the same time, the apparatus registers a touch against his opponent, the touch must be annulled.
- (j) Whenever, owing to some accidental cause, tests cannot be made, the touch must be considered as doubtful and must be annulled (but cf. t.67/e).
- (k) The Referee must pay particular attention to touches which are not registered or which are registered abnormally. Should such defects be repeated, the Referee must ask the members of the Committee for Electrical Apparatus and Equipment present or an expert technician on duty to verify that the equipment conforms to the Rules.

The Referee must ensure that nothing is altered either in the competitor's equipment or in the whole of the electrical apparatus before the expert makes the check.

t.69 4. The Referee must supervise the condition of the conductive strip; he must not allow the bout to commence or to continue if the

conductive strip has holes in it which might affect the proper registering of touches or cause accidents. (The organizers must make the necessary arrangements to ensure the rapid repair or replacement of the conductive strips.)

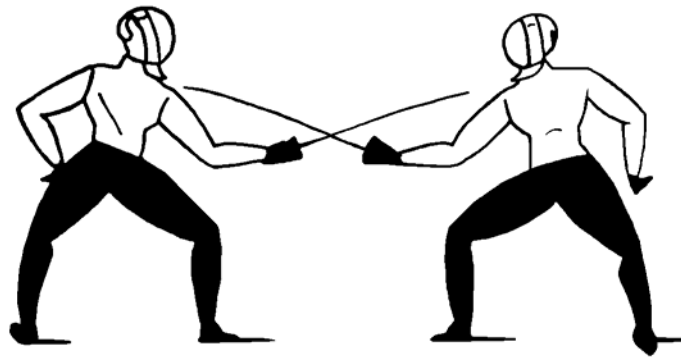


Figure 6. Valid target in saber

PART 4. SABER

THE CONVENTIONS OF FENCING

A. METHOD OF MAKING A TOUCH

t.70 The saber is a weapon for thrusting and cutting with the cutting edge, the flat and the back of the blade.

(a) All touches made with the cutting edge, the flat or the back of the blade are counted as good (cuts and back-cuts).

It is forbidden to score a touch with the guard. Any touches scored with the guard must be annulled, the fencer at fault being penalized as specified in Articles t.114, t.116, t.120.

(b) Point touches which slip over the valid target, or cuts which merely brush the opponent's target (passé touches) do not count.

(c) Touches through the blade, that is to say those which touch the valid target and the saber of the opponent at the same time, are valid whenever they arrive clearly on the target.

(d) Placing the point of the weapon on the strip at any time to straighten it is forbidden. Any breaking of this rule will be punished according to Articles t.114, t.116, t.120.

B. LIMITATION OF THE TARGET

t.71 Only touches which arrive on the target are counted as valid.

The target comprises any part of the body above a horizontal line drawn between the top of the folds formed by the thighs and by the trunk of the fencer when in the on-guard position (see Figure 6, above).

t.72 A touch which arrives on a non-valid part of the target is not counted as a touch; it does not stop the fencing phrase and does not annul any subsequent touches.

If a fencer substitutes a non-valid part of the target for a valid part, either by covering it or by any abnormal movement, the Referee must penalize him by applying the penalties specified in Articles t.114, t.116, t.120 and any touch scored by the fencer at fault is annulled.

C. JUDGING OF TOUCHES IN SABER

Sabre competitions are scored with an electrical scoring apparatus.

I. MATERIALITY AND ANNULMENT OF TOUCHES

t.73 To judge the materiality of the touch only touches registered by the scoring apparatus may be taken into account. The referee cannot award a touch unless it has been properly registered by the apparatus except for penalty touches. He will disregard touches which are registered as a result of actions started before the word 'Fence' or after the word 'Halt' (cf. t.18).

However, the Referee must take into account any possible malfunctions in the electrical equipment; in particular he must annul a touch he has just awarded in accordance with a signal from the apparatus if it can be established, by tests carried out under his attentive supervision, before the bout has effectively re-started and with no changes having been made to the equipment (cf. t.35/d):

- that a touch made by the fencer judged to have been touched does not cause the apparatus to register;
- that a touch made by the fencer judged to have been touched does not remain fixed on the apparatus;
- that the signal of a touch against the fencer judged to have been touched can be produced either without there having been in fact a valid touch, or by a touch on the weapon or on a non-valid surface.

If the saber of the fencer judged to have been touched does not conform with Article m.24/4 and 24/6 (insulation of the interior and exterior of the guard, of the handle and of the pommel), there will be no annulment, even if a touch on the weapon causes a signal to register.

The Referee should also apply the following rules:

- (a) Only the last touch made before the fault was established can be annulled;
- (b) A competitor who makes any modification in or who changes his equipment without being asked by the Referee to do so, before the Referee has given his decision, loses all right to the annulment of the touch (cf. t.35/d);
- (c) If the bout has effectively recommenced, a competitor cannot claim the annulment of a touch awarded against him before the said recommencement of the bout;
- (d) The location of a fault in the equipment (including the equipment of the competitors) has no bearing on whether or not a touch should be annulled;
- (e) It is not necessary that a fault should repeat itself every time a test is made; but it is essential that the fault should

- be manifested to the Referee without the possibility of doubt at least once during the tests made by him or under his supervision;
- (f) When a competitor against whom a touch has been registered has broken his blade, the touch must be annulled unless the breaking of the blade has occurred clearly after the touch has been registered.
 - (g) The Referee must pay particular attention to touches which are not registered or are registered abnormally. Should such defects be repeated, the Referee must ask a member of the Committee for Electrical Apparatus and Equipment, or an expert technician on duty, to verify that the equipment conforms to the Rules.
 - (h) Whenever accidental causes make it impossible to carry out tests, the touch will be considered doubtful and therefore annulled;
 - (i) If there are signals on both sides of the apparatus, the Referee will apply the rules in Article t.80.
 - (j) In accordance with the general rules (cf. t.18) the Referee must stop the bout, even if no touch is registered on the apparatus, whenever the fencing becomes confused and he is no longer able to analyse the phrase.

II. VALIDITY OR PRIORITY OF THE TOUCH

1. Preface

t.74 The Referee alone decides as to the validity or the priority of the touch by applying the following basic rules which are the conventions applicable to saber fencing.

2. Respect of the fencing phrase

- t.75** (a) Any attack properly executed (cf. t.7) must be parried, or completely avoided, and the phrase must be followed through.
- (b) The attack is correctly carried out when the extending of the arm, with the point or the cutting edge continuously threatening the valid target, precedes the initiation of the lunge.
1. *An attack with a lunge is correctly carried out:*
 - in a *simple attack* (cf. t.8) when the arm is extended with the lunge and the touch arrives at the latest when the front foot touches the strip;
 - in a *compound attack* (cf. t.8) when, with the arm extending in the correct forming of the first feint (cf. t.77), the touch arrives at the latest when the front foot touches the strip or immediately afterwards.
 2. *An attack with a step-forward-lunge is correctly carried out:*
 - as a *simple attack* (cf. t.8) when the arm is extending before the completion of the step-forward and when the touch arrives at the latest at the end of the lunge;
 - as a *compound attack* (cf. t.8) when, with the arm extending in the correct forming of the first feint (cf. t.77) during the step-forward, the touch arrives at the latest at the end of the lunge.
 3. The flèche and any forward movement crossing the legs or feet is forbidden. Any offence will be penalized as specified in Articles t.114, t.116, t.120. Any touch scored by the fencer at fault will be annulled. However, any touch correctly executed by his opponent is valid.

- t.76** (c) In order to judge the correctness of an attack, the following points must be considered:
1. If the attack is initiated when the opponent has his point 'in line' (cf. t.10) the attacker must first deflect his opponent's weapon. Referees must ensure that a mere grazing of the blades is not considered as sufficient to deflect the opponent's blade.
 2. If, when attempting to find the opponent's blade to deflect it, the blade is not found (*dérobement*), the right of attack passes to the opponent.

3. If the attack is commenced when the opponent's blade is not 'in line', the attack may be completed either direct, or by a disengagement or by a cutover, or else be preceded by feints (cf. t.77) which oblige the opponent to parry.

- t.77** (d) In compound attacks the feint must be correctly carried out, i.e.:
1. A feint with the point, with the arm extended and the point threatening the target continuously.
 2. A feint with a cut, the arm extended, the blade and the arm forming an obtuse angle of about 135°, with the cutting edge threatening a valid part of the target.
- (e) If during a compound attack the opponent finds the blade during one of the feints, he has the right to riposte.
- (f) In a compound attack the opponent has the right to stop-hit; but, in order to be valid, the stop hit must precede the last movement of the attack by one period of fencing time, i.e. the stop hit must arrive before the attacker has started the last movement of the attack itself.

t.78 (g) Attacks by beats on the blade

1. In an attack by beating on the blade, this attack is correctly carried out and retains its priority when the beat is made on the *foible* of the opponent's blade, i.e. the two-thirds of the blade furthest from the guard.
2. In an attack by beating on the blade, when the beat is made on the *forte* of the opponent's blade, i.e. the one-third of the blade nearest the guard, the attack is badly executed and the beat gives the opponent the right to an immediate riposte.

- t.79** (h) The parry gives the right to riposte; a simple riposte may be direct or indirect, but in order to annul any subsequent movement by the attacker, it must be carried out immediately, without any hesitation or pause.

Against cuts with the cutting edge, the flat or the back of the blade, the object of the parry is to prevent touches made by the opponent arriving on the valid target; therefore:

1. The parry is properly carried out when, before the completion of the attack, it prevents the arrival of that attack by closing the line in which that attack is to finish.
2. When a parry is properly executed, the attack by the opponent must be declared parried, and judged as such by the Referee, even if, as a result of its flexibility, the tip of the opponent's weapon makes contact with the target.

3. Judging of touches.

t.80 In applying these basic conventions of saber fencing, the Referee should judge as follows.

When during a phrase both fencers attack simultaneously there is either a *simultaneous action* or a *double touch*:

1. The first of these conditions is due to simultaneous conception and execution of an attack by both fencers; in this case the touches exchanged are annulled for both fencers.
2. The double touch (*coup double*) on the other hand, is the result of a clearly faulty action on the part of one of the fencers.

Therefore, when there is not an interval of fencing time between the touches:

1. *The fencer who is attacked is alone counted as touched:*
 - (a) If he makes a stop hit on his opponent's simple attack.
 - (b) If, instead of parrying, he attempts to avoid the touch and does not succeed in so doing.

- (c) If, after making a successful parry, he makes a momentary pause (delayed riposte) which gives his opponent the right to renew the attack (redoublement, or remise or reprise).
 - (d) If, during a compound attack, he makes a stop hit without being in time.
 - (e) If, having his point 'in line' (cf. t.10) and being subjected to a beat or a taking of the blade (prise de fer) which deflects his blade, he attacks or places his point in line again instead of parrying a direct touch made by his opponent.
2. *The fencer who attacks is alone counted as touched:*
- (a) If he initiated his attack when his opponent had his point 'in line' and without deflecting the opponent's weapon. Referees must ensure that a mere grazing of the blades is not considered as sufficient to deflect the opponent's blade.
 - (b) If he attempts to find the blade, does not succeed (because of a derobement) and continues the attack.
 - (c) If, during a compound attack, he allows his opponent to find the blade, and continues the attack while his opponent ripostes immediately.
 - (d) If, during a compound attack, he bends his arm or makes a momentary pause, during which time the opponent makes a stop hit or an attack while the attacker continues his own attack.
 - (e) If, during a compound attack, he is stop-hit one period of fencing time (temps d'escrime) before he makes his final movement.
 - (f) If he makes a touch by a remise, redoublement or reprise following a parry by his opponent which has been followed by a riposte which is immediate, simple and executed in one period of fencing time without withdrawing the arm.
3. When there is a double touch (coup double), and if the Referee is unable clearly to judge from which side the fault has come, *he must replace the competitors on guard.*

One of the most difficult cases to judge arises when a stop hit is made and there is doubt as to whether it was made sufficiently in time in relation to the final movement of a compound attack. Generally, in such cases, the double touch occurs through the fault of both fencers concerned, which justifies the Referee replacing them on guard. (The fault of the attacker consists of indecision, slowness of execution or the making of feints which are not sufficiently effective. The fault of the defender lies in delay or slowness in making the stop hit.)

PART 5. DISCIPLINARY RULES FOR COMPETITIONS²

CHAPTER 1. APPLICATION

1. Persons subject to these rules

- t.81** The regulations laid down in this Part apply to all persons who take part in, or who are present in any capacity whatsoever at an international or United States Fencing Association competition (organizers, officials, referees, fencers, auxiliary personnel, team captains, trainers, spectators, etc.), whatever their nationality or affiliation.

Hereinafter, all these persons are described as 'fencers'.

2. Maintenance of order and discipline

- t.82** Fencers must observe strictly and faithfully the Rules and the Statutes of the FIE, the particular rules for the competition in which they are engaged, the traditional customs of courtesy and integrity and the instructions of the officials.

In particular they will subscribe, in an orderly, disciplined and sporting manner, to the following provisions; all breaches of these rules may entail punishments by the competent disciplinary authorities after, or even without, prior warning, according to the facts and circumstances (cf. t.113–t.120).

Everybody taking part in or present at a fencing competition must remain orderly and must not disturb the smooth running of the competition. During bouts (between the command "Fence" and "Halt,") no one is allowed to go near the strips or to give advice to the fencers. At no time is one allowed to criticize the Officials or their decisions, to insult them or to attempt to influence them in any way. Even the team captain must remain in the space assigned and may only intervene in the situations and in the manner provided for in Article t.90 of the Rules. The Referee must stop immediately any activity which disturbs the smooth running of the bout which he is refereeing (cf. t.96).

Smoking in competition halls is forbidden. Smoking will be considered as a disturbance of the smooth running of the competition (cf. t.83).

Any breach of the rules will be punished as laid down in Articles t.114, t.118, t.120.

- t.83** The Referee and/or the Technical Directory, on their own authority or at the request of an official delegate of the FIE or of the Organizing Committee, can decide to expel from the competition venue, with or without a warning, any person who by his gestures, attitude or language disturbs the good order or smooth running of the event.

3. The competitors

- (a) Pledge of honor

- t.84** By the mere fact of entering a fencing competition, the fencers pledge their honor to observe the regulations and the decisions of the judges, to be respectful towards the members of the jury and to scrupulously obey the orders and injunctions of the Referee (cf. t.114, t.116, t.120).

- (b) Refusing to fence an opponent

- t.85** No fencer (individual or team) may take part in an official competition if he refuses to fence against any other fencer whatsoever (individual or team) correctly entered in the event. Should this rule be broken, the competitor concerned, individual or team, shall immediately be disqualified and the USFA shall consider whether there are grounds, and to what extent, for taking sanctions against the national federation to which the disqualified competitor belongs (cf. FIE Statutes 1.2.4 and Rules Article t.120).

- (c) Presence on time

- t.86** The fencers, completely equipped, with all equipment conforming with the regulations (cf. t.43–t.45) and ready to fence, must be present at the time and place appointed for the beginning of the pool, match, or bout of direct elimination, or at the time appointed for the checking of their equipment before their bout (cf. t.43), as well as during the competition, whenever the Referee requires it.

Before the start of the pool, the team match or the bouts of direct elimination (individual or team) or in the course of the competition (individual or team), when a fencer does not present himself on the strip, ready to fence, when ordered to do so by the Referee:

- the fencer or team member not present will be penalized with a Yellow Card;

² The penalties relating to the Publicity Code appear in that appendix.

- a second call will be made, one minute after the first call, followed by a Red Card for the fencer or team member not present;
- a third and last call will be made, one minute after the second call, followed by the elimination from the competition for the fencer not present in an individual competition or for the whole team in a team competition.

Should a fencer abandon a bout by leaving the strip (cf. t.18/3), he will be penalised as specified in Articles t.114, t.116, t.120.

(d) Fencing etiquette

- t.87** The competitors must fence faithfully and strictly according to the rules laid down in these Rules. All breaches of these rules will incur the penalties laid down hereinafter (cf. t.114–t.120).

Before the beginning of each bout, the two fencers must perform a fencing salute to their opponent, to the referee and to the spectators. Equally, when the final touch has been scored, the bout has not ended until the two fencers have saluted each other, the referee and (to) the spectators - to this end, they must remain still while the referee is making his decision; when he has given his decision, they must again perform a fencing salute and must shake hands with their opponent, with the unarmed hand.

If either or both of the two fencers refuses to salute or shake hands in compliance with these rules, the referee will penalize him/them with a Group 3 Red card, followed by a Black Card upon a second failure to salute. (cf. t.114, t.119, t.120). The points or titles obtained at the moment of the offence remain acquired.

Individual events

When both fencers make clear their unwillingness to fence:

For 10 or 15 touch Bouts by Direct Elimination:

- a) For the first time, the referee will issue a yellow card to each of the two fencers and will proceed to the next period, without the minute rest.
- b) For the second time, the referee will issue a red card to each of the two fencers and will proceed to the next period, without the minute rest.
- c) However, when both fencers make clear their unwillingness to fence during the final period of a direct elimination bout, the referee will issue a yellow card or a red card respectively against each of the two fencers and will proceed to the overtime minute of the bout. This minute, which will be fenced in its entirety, will be decisive and will be preceded by a drawing of lots to decide the winner should the scores be equal at the end of the minute.

Team competitions

When both teams make clear their unwillingness to fence:

- a) For the first time during a match, the referee will issue a yellow card to both of the teams and will proceed to the next bout.
- b) For each subsequent time during a match, the referee will issue a red card to both of the teams and will proceed to the next bout.
- c) However, when both teams make clear their unwillingness to fence during the ninth bout of a match, the referee will issue a yellow card or a red card respectively to both teams and will proceed to the last minute of the time allowed for the bout. This minute, which will be fenced in its entirety, will be decisive and will be preceded by a drawing of lots to decide the winner should the scores be equal at the end of the minute.

When the final touch has been scored, the bout is not ended until the two fencers have saluted each other, the audience and the Referee. To this end, they must remain still while the Referee is making his decision. When he has given his decision, they must proceed with the fencer's salute, which is performed by lifting the weapon guard up to the chin, and must shake hands with their opponent, with the unarmed hand.

The fencer, whether on or off the strip, must keep his mask on until the Referee calls halt. He may under no circumstances address the Referee until the Referee has made his decision (cf. t.114, t.116, t.120).

Under no circumstances may fencers remove their clothes on the strip, even to change their bodycord (cf. t.114, t.116, t.120).

Immediately after the end of a pool or a direct elimination bout the Referee must bring together the two fencers, to announce clearly the score. He must say clearly: « Mister X won against Mister Y with the following score » fencers must then sign the pool or bout score sheet, under the responsibility of the Referee who must check the accuracy of the results on this score sheet. Before the score sheet is returned to the Technical Directory, the Referee must indicate in writing if a fencer refuses to sign it. No subsequent appeal relating to the results will be allowed.

(e) Personal effort

- t.88** Competitors must fence to their utmost ability in a sportsmanlike manner until the end of the competition in order to obtain the best possible classification, without giving away touches or seeking to be favoured by being given touches by anyone (cf. t.114, t.119, t.120).

4. The team manager

- t.89** In all competitions, all competitors of the same nationality must be under the direction of a team manager (who may or may not fence), who is responsible to the Technical Directory or the Organizing Committee for the discipline, conduct, and sportsmanship of the members of his team.

5. The team captain

- t.90** In team events, only the team captain has the right to be placed with his fencers in the Strip Enclosure and to approach the President of the Technical Directory, the referees, etc., in order to decide technical matters, or to register protests.

The members of the team who have scrupulously abided by his decisions may not be held responsible by the relevant authorities. However, they are personally responsible for any actions they commit for which their team captain has not taken authority and for any offence committed by them in violation of the present Rules.

6. The referees and judges

- t.91** The members of the jury must fulfil their duties not only with total impartiality but also with the utmost attention (cf. t.34).

7. The instructors, trainers and technicians

- t.92** The instructors, trainers and technicians are not allowed to remain near their fencers in the Strip Enclosure during the competition.

The Referee may, whenever he considers it necessary, authorize a person to come briefly to the assistance of a fencer.

Each nation which has a fencer taking part in the round of the competition in progress may designate a maximum of two people who have the right to be positioned near the Strip

Enclosure, *outside it* but close to a point of access. The organizers must provide the necessary space for these people.

In team competitions, there must be enclosures reserved for the team members. Only the team captain and one coach have the right to be with the team fencers inside the team enclosures, which must be clearly marked out by yellow lines on the ground or some other method. They should be 9 m² in area and be located at a distance of between 2 and 6 m. from each end of and outside the Strip Enclosure, which is 18 x 8 m.

During team matches, the team members not actually fencing must remain within their Team Enclosure.

During team competitions, no one has the right to enter the Strip Enclosure without the referee's permission. In the case of such an offence, the referee will penalize the offending team as provided for in Articles t.114, t.116 and t.120. A warning imposed on a team is valid for the complete team match. Should a fencer, within the same match, commit another offence from the first group, the referee will penalize him on each occasion with a red card.

8. The spectators

- t.93** Spectators are obliged not to interfere with the good order of a competition, to do nothing which may tend to influence the fencers or the Referee, and to respect the decisions of the latter even when they do not agree with them. They must obey any instructions which the Referee may deem it necessary to give them (cf. t.82, t.118, t.120).

CHAPTER 2. THE DISCIPLINARY AUTHORITIES AND THEIR COMPETENCE

The following articles only regulate discipline at competition venues. Depending on the gravity of the offences established, they do not exclude the application of the Disciplinary Code of the FIE (Chapter VII of the Statutes of the FIE), which complete or, if the case arises, take priority over the following articles.

1. Jurisdiction.94 The disciplinary authorities are the following:

- the Referee (cf. t.96)
- the Directoire technique (USFA Note: Bout Committee) (cf. t.97, o.56–o.62)
- the Head Referee (Cf t.96, 5)
- the Executive Committee of the IOC at the Olympic Games (Cf t.98)
- the Bureau of the F.I.E. (Cf t.99.1/4, t.127.h, o.63)
- the Executive Committee of the F.I.E. (Cf t.99.5)
- the Disciplinary Commission of the FIE and its Tribunal
- the Court of Arbitration for Sport and the Sports Arbitration Tribunal.

See also the Disciplinary Code of the FIE (Chapter VII of the FIE Statutes).

2. Principle of jurisdiction

- t.95** (a) Whatever juridical authority has taken a decision, this decision may be subject to an *appeal* to a higher juridical authority, but only to one such appeal.
- (b) No decision on a question of *fact* can be the subject of an appeal (cf. t.122).
- (c) An appeal against a decision only *suspends* that decision when it can be judged immediately.

- (d) Every appeal must be accompanied by the deposit of a guaranty of US\$80, or its equivalent in another currency; this sum may be confiscated for the benefit of the USFA if the appeal is rejected on the grounds that it is 'frivolous'; this decision will be taken by the juridical authority responsible for hearing the appeal. However, appeals against the decisions of the Referee do not require the deposit of the guarantees mentioned above (cf. t.122).

3. The Referee

- t.96** (a) The Referee is responsible not only for the direction of the bout, the judging of touches and the checking of equipment, but equally for the *maintenance of order* in the bouts which he is refereeing (cf. t.35/i).
- (b) In his capacity as director of the bout and arbiter of touches, he can, in accordance with the rules, penalize the competitors, either by refusing to award a touch which they have in fact made on the opponent, or by awarding against them a touch which they have not in fact received, or by excluding them from the competition in which he is refereeing, according to the circumstances, with or without prior warning. In these circumstances, and if he has judged on a matter of *fact*, his decisions are irrevocable (cf. t.122).
- (c) By reason of the right of jurisdiction which he has over all the fencers who participate in, or are present at a competition which he is refereeing, he can also propose to the Technical Directory the expulsion from the venue of the competition of the spectators, trainers, instructors and other persons who accompany the competitors (cf. t.114, t.118, t.120).
- (d) Finally, he may *recommend* to the Technical Directory all other penalties which he considers appropriate (exclusion from the whole competition, suspension or disqualification) (cf. t.97).
- (e) The Head Referee is the authority competent to deal with appeals against the decisions of the Referee (cf. t.97ss, t.122).

4. The Technical Directory (cf. o.56–o.62)

t.97 For Official FIE Competitions

- (a) The Directoire Technique has jurisdiction over all the fencers who take part in or are present at a competition which it is running.
- When necessary it can intervene on its own initiative in all disputes.
- It may impose, either on its own initiative or at the request of a referee, all the penalties which are applicable during competitions.
- (b) It is the juridical authority to deal with appeals against the decisions of referees.
- (c) It sends direct to the Central Office of the FIE announcements of disciplinary penalties pronounced during the competitions, as well as any requests for censure, suspension, extension of penalty or permanent suspension, and requests for ultimate appeals. It is also responsible for maintaining order and discipline during competitions and may use the sanctions
- (d) The decisions of the Technical Directory that it takes spontaneously or in its own right (as the first level of authority) are subject to appeal to The Disciplinary Commission of the FIE'.
- All the decisions of the Technical Directory are immediately enforceable. No appeal against a decision can suspend that decision during a competition.

5. USFA - National Office, Disciplinary Commission, Executive Committee

t.99 All disciplinary matters referred to the USFA by a USFA member, a Technical Directory or any other competent body on the occasion of an official USFA competition are addressed to the National Office of the USFA. This latter transmits them to the competent body.

The Disciplinary Commission of the FIE is the juridical body of the FIE that, within the limits of the territories over which the FIE has authority, settles all disciplinary matters referred to the FIE and judges all appeals against decisions taken by the Directoire Technique or the Head Referee..

The Sports Arbitration Tribunal in Lausanne (TAS) judges all appeals against the decisions of the tribunals of the Disciplinary Commission.

In urgent cases, the FIE Bureau may take the administrative measures necessary for the suspension of the license of the accused in accordance with the Disciplinary Code.

The Executive Committee ensures that the decisions of the Disciplinary Commission are respected and carried out.

See the Disciplinary Code of the FIE (Chapter VII of the FIE Statutes).

CHAPTER 3. PENALTIES

1. Classification of penalties

t.101 There are two distinct categories of penalty applicable to the two sorts of offence (cf. t.114ss).

1. Penalties related to fencing, applicable to offences committed while fencing. These are:

- the loss of ground on the strip
- refusal to award a touch actually made
- awarding a touch which has not in fact been received
- exclusion from the competition

2. Disciplinary penalties applicable to offences concerned with maintenance of order, discipline or sportsmanship. These are:

- awarding a touch which has not in fact been received
- exclusion from the competition
- exclusion from participation in the whole tournament
- expulsion from the venue of the competition
- disqualification
- censure
- fine
- temporary suspension
- permanent suspension

The competent authorities at a competition - the referee and the Technical Directory, can apply all these penalties, except permanent suspension.

Temporary suspension can only be applied by these authorities only in the case of a fencer refusing to salute (cf. t.87, t.120).

See the Disciplinary Code of the FIE (Chapter VII of the FIE Statutes).

2. Penalties related to fencing

(a) Loss of ground on the strip (cf. t.28)

t.102 A competitor who crosses the lateral boundaries of the strip with one or both feet is penalized by the loss of one meter of ground.

(b) Refusal to award a touch actually made

t.103 Although a competitor may in fact have touched his opponent on the target, this touch may be disallowed, either because it did not arrive

during the period of time during which fencing is allowed, or because the competitor had crossed the boundaries of the strip, or because of defects in the electrical equipment, or because violence was involved in the making of the touch, or because of other reasons as laid down in the Rules (cf. t.18, t.20–t.22, t.26ss, t.32, t.41, t.45, t.46, t.53s, t.60, t.66ss, t.70, t.73, t.80, t.87, t.114, t.120).

(c) Award of a touch which has not in fact been received

t.104 A competitor may have a touch awarded against him which he has not in fact received, either because he has crossed the rear limit of the strip (cf. t.27), or because he has committed an offence which has prevented his opponent fencing (a *flèche* attack which jostles the opponent, a *corps à corps* in foil or saber, the use of the unarmed hand while fencing, etc.) (cf. t.120).

(d) Exclusion from the competition

t.105 A competitor who, while fencing, commits certain violent or vindictive actions against his opponent, or who does not fence to his utmost ability, or who profits from a fraudulent agreement with his opponent, may be excluded from the competition.

A competitor who is excluded from a competition may not continue to take part in that competition, even if he is already qualified for promotion to the next round. He loses the right to his individual classification and the place that he occupied remains unfilled; but the points obtained by the fencer up to the moment of his expulsion remain valid for the classification of the team in the team event, providing that he actually takes part in that team event.

3. Disciplinary penalties

(e) Exclusion from the competition

t.106 Exclusion from a competition may also be imposed for a disciplinary offence (failure to appear on the strip as required, weapons not in accordance with the rules, reprehensible attitude towards a judge, etc.).

The consequences of such exclusion for the competitor are the same as those described in Article t.105 above.

(f) Exclusion from participation in the whole tournament

t.107 *Tournament* is the name given to a number of competitions held at the same place, at the same period and under the same aegis.

A competitor who is excluded from a tournament will no longer be allowed to participate in any competition during that tournament, either in the same weapon or another.

When this penalty is imposed on a team, the position of each member of that team must be examined individually, and the members of that team may, according to the circumstances, have different penalties imposed on them (cf. t.90).

(g) Expulsion from the venue of the competition or the tournament

t.108 All participants or non-competitors who participate in or are present at a competition (instructors, trainers, technicians, supporters, officials, spectators) may be expelled. Such expulsion has the effect of forbidding them access to the venue for the duration of the competition or tournament (cf. t.120).

In no circumstances can the imposition of this penalty give cause for redress to anyone.

(h) Disqualification

t.109 Disqualification of a competitor (for example, because he does not conform to the rules regarding age, qualification, etc. required for the competition) does not necessarily incur his suspension or permanent suspension, if he has acted in good faith; a request for supplementary penalties for fraudulent intention may, however, be made against the competitor.

A team which has included a competitor who is disqualified necessarily incurs the penalty of that member and is also disqualified.

The consequences of disqualification are the same as those for exclusion from the competition (see Article t.105 above).

(i) Censure

t.110 In cases where a more severe disciplinary sanction is not justified, the fencer or the official may be sanctioned by censure.

(j) Temporary suspension

t.111 A competitor who is suspended cannot take part in any official FIE competition during the time he is suspended.

All other persons who are suspended are debarred from exercising their functions within the limits of time and place fixed when the suspension is imposed.

(k) Permanent suspension

t.112 Permanent suspension involves the same consequences as suspension, but is permanent (except for the special provision for clemency laid down in Article t.128 below).

4. Announcement of penalties

t.113 The Technical Directory is required to inform the Central Office of the FIE, without delay, of penalties applied during the competition and their reasons (cf. t.97/c).

At the Olympic Games, the Technical Directory must advise the IOC via the Organizing Committee.

CHAPTER 4. OFFENCES, THEIR PENALTIES AND THE COMPETENT JURIDICAL AUTHORITIES

1. The types (groups) of penalty

t.114 There are three types of penalty to be applied in the cases indicated in the table in Article t.120. If a referee must penalize a fencer who has committed several faults at the same time, he should penalize the less serious fault first. They are cumulative and they are valid for the bout with the exception of exclusion, which is indicated by a Black Card. Certain offences can result in the annulment of the touch scored by the fencer at fault.

During the bout, only touches scored in circumstances connected with the offences may be annulled (cf. t.120).

The penalties are as follows:

— a *warning*, indicated by a Yellow Card with which the Referee identifies the fencer at fault. The fencer then knows that any further offence on his part will result in a penalty touch.

— a *penalty touch*, indicated by a Red Card with which the Referee identifies the fencer at fault. A touch is added to the score of his opponent and may, if the last touch is at stake, lead to the loss of the bout. Furthermore, a Red Card can only be followed by another Red Card or by a Black Card, depending on the nature of the second offence (cf. t.120).

— *exclusion*, from the competition or the whole tournament as applicable (for a fencer), or *expulsion* from the competition

venue (any person disturbing the order of the competition), demonstrated by a Black Card by which the Referee identifies the fencer or person at fault.

All warnings (Yellow Cards), penalty touches (Red Cards) and exclusions (Black Cards) must be noted on the score sheet of the bout, the pool or the match, together with the group to which they belong.

2. Competence

t.115 The offences and their penalties which appear in different articles of the Rules are summarized in the list that follows in Article t.120; they are divided into four groups (cf. t.116–t.119).

All these penalties are within the competence of the Referee, although the Technical Directory still retains the right to intervene on its own initiative (cf. t.97).

3. The first group of offences

t.116 The first infringement, in this first group, is penalized by a Yellow Card (*warning*). If during the same bout the fencer commits the same or a different offence in this group, the Referee penalizes him, on each occasion, with a Red Card (*penalty touch*). If the fencer at fault has already been penalized by a Red Card because of an offence listed in the second or third group, he receives a further Red Card for his first infringement relating to the first group.

4. The second group of offences

t.117 Every offence in the second group, including the first infringement, is penalized by a Red Card (*penalty touch*).

5. The third group of offences

t.118 The first infringement in the third group is penalized by a Red Card (*penalty touch*), even if the fencer at fault has already received a Red Card as a result of offences in the first or second groups.

If during the same bout the fencer commits the same or a different offence in this group, he is penalized with a Black Card (*exclusion from the competition*).

Any person not on the strip who disturbs the order of the competition receives:

— On the first infringement, a warning, indicated by a Yellow Card, valid for the whole of the competition, which must be noted on the bout score sheet and recorded by the Technical Directory;

— At the second infringement during the same competition a Black Card (*expulsion from the competition venue*).

In the most serious cases concerning disturbance either on or off the strip, the Referee may exclude or expel the person at fault immediately.

6. The fourth group of offences

t.119 The first infringement in the fourth group is penalized by a Black Card (*exclusion from the competition or the whole tournament*, as applicable).

7. Offences and penalties

t.120 See the Schedule of Offences and Penalties, pp. 43–45.

OFFENSE	ARTICLE	PENALTIES		
		1st	2nd	3 rd and add'l
1st group				
Leaving the strip without permission	t.18/3			
Simple Corps à corps (foil and sabre) *	t.20			
Corps à corps to avoid a touch *	t.20, t.63			
Turning the back to the opponent *	t.21			
Using the non-weapon arm or hand *	t.22	Y	R	R
Touching/taking hold of electrical equipment*	t.22	E	E	E
Covering/Substitution of valid target *	t.22, t.49, t.72	L	D	D
Crossing the side of the strip to avoid being touched	t.28	L		
Delaying the Bout	t.31	O	C	C
Placing the weapon on the strip to straighten it	t.46, t.61, t.70/d	W	A	A
Clothing/equipment not working or not conforming; absence of second regulation weapon or bodycord	t.45/1 et 3.b		R	R
Bending/dragging weapon point on conductive strip (F,E)	t.46, t.61	C	D	D
Grounding the weapon on the metallic vest (F) *	t.53	A		
In Saber, touch scored with the guard*; any forward movement crossing the legs or feet*	t.70, t.75/3	R		
Refusal to obey the Referee	t.82, t.84	D		
Jostling, disorderly fencing * ; taking off mask before the Referee calls 'Halt'; undressing on the strip	t.87			
Unjustified appeal	t.122			
Abnormal fencing action *				
Touches with brutality or while falling *				
Fencer or team member not present upon 1 st and then second call. If still not present at 3 rd call Elimination from the competition.				

2nd group				
Interruption of bout for claimed injury not confirmed by doctor	t.33	R	R	R
Absence of equipment control mark(*)	t.45/3.a	E	E	E
Dangerous, violent or vindictive action, blow with guard or pommel *	t.87	D	D	D
Deliberate touch not on opponent	t.53, t.66			
Absence of name on back, absence of National colors where required	t.45			
3rd group		1 st Offense		2 nd Offense
Falsified weapon inspection marks, intentional modification of equipment *	t.45/3.(c), (d)	R		B
Fencer disturbing order on the strip (4)	t.82, t.83	E		L
Dishonest fencing:(*) refusal to salute before the beginning of the bout (only one fencer).	t.87	D		A C
Offence against publicity code	Publicity Code			K (1)
Any person not on strip disturbing order	t.82, t.83	1 st ; Warning (YELLOW CARD) or (4) 2 nd Expulsion (3) or (4)		
Refusal of one fencer to salute the opponent after final touch scored	t.87	Winner: Annulment of Touch Scored Loser: Suspension (5)		
Changing the order of bouts in a team match, intentionally or unintentionally	t.86	Loss of Match		
4th group				
Manifest cheating with equipment (2)	t.45/3.e	B		
Offense against sportsmanship (1) or (2)	t.87	L		
Deliberate brutality (1), refusal of both fencers to salute: before the bout (1); after the final touch scored (5)	t.87, t.105	A		
Profiting from collusion, favoring an opponent (1)	t.88, t.105	C		
Doping (2)	t.129	K		
Fencer equipped with electronic communication equipment permitting him to receive communications during the bout	t. 45/3 (f) (1) or (2)			

* Annulment of any touch scored by the fencer at fault.

Yellow Card = Warning (valid for bout, whether one or several encounters). Red Card = Penalty touch. Black Card = Exclusion or expulsion.

(1) Exclusion from competition. (2) Exclusion from whole tournament. (3) Expulsion from competition venue. (4) In serious cases, Referee may exclude/expel immediately. (5) Suspension for two competitions. (6) Disqualification.

If a fencer commits an offence in the First Group after having been penalized with a Red Card, for whatever reason, he or she receives a further Red Card. A fencer only receives a Black Card in the Third Group if he or she previously committed an offence in this Third Group (demonstrated by a Red Card).

CHAPTER 5. PROCEDURE

1. Basic principle

t.121 The various penalties are imposed by the competent authorities who will reach their decisions in an equitable manner, and will take into account the gravity of the offence and the circumstances in which it was committed (cf. t.94ss, t.114ss, t.124ss).

2. Protests and appeals

(a) Against a decision of the Referee

t.122 No appeal can be made against the decision of the Referee regarding a point of fact (cf. t.95/c, t.96/b).

If a fencer infringes this principle, casting doubt on the decision of the Referee on a point of fact during the bout, he will be penalized according to the rules (cf. t.114, t.116, t.120). But if the Referee is ignorant of or misunderstands a definite rule, or applies it in a manner contrary to the Rules, an appeal on this matter may be entertained.

This appeal must be made:

- in individual events, by the fencer;
- in team events, by the fencer or the team captain.

This appeal should be made courteously but without formality, and should be made verbally to the Referee immediately and before any decision is made regarding a subsequent touch.

If the Referee maintains his opinion, the Head Referee has authority to settle an appeal (cf. t.97). If such an appeal is deemed to be unjustified, the fencer will be penalized in accordance with Articles t.114, t.116, t.120.

(b) Other protests and appeals

t.123 Complaints and protests must be made in writing without delay; they must be addressed to the Technical Directory.

Protests over the composition of the first round at World Championships and the Olympic Games may only be made up to 7 p.m. of the day before the event (cf. o.10).

3. Investigation — Right of defence

t.124 No penalty can be imposed until after an enquiry has been held in the course of which the parties concerned have been called on to give their explanation of the occurrence either verbally or in writing, within a reasonable interval of time, suited to the time and place. After this time limit has expired, the penalty may be imposed.

4. Method of decision

t.125 The decisions of the juridical authorities of competitions are by majority vote, the chairman (president) having the casting vote in case of a tie.

6. Repetition of offence

t.127 For offences regarding sportsmanship, good order or discipline, a fencer is said to repeat an offence if he commits a new offence, other than violation of the rules governing bouts, within two years of being censured, or subjected to exclusion, disqualification or suspension.

For the repetition of an offence, the penalty which must be imposed is:

- (a) Exclusion from the competition, if the previous penalty was a censure.
- (b) Disqualification from participation in the whole tournament, if the previous penalty was exclusion or disqualification from a competition.

See also the Disciplinary Code of the FIE (Chapter VII of the FIE Statutes).

CHAPTER 6 MEDICAL AND ANTI-DOPING CONTROLS

1. Medical Controls

t.128

Women competitors must submit to gender tests prescribed by the IOC at the Olympic Games or prescribed by the FIE (Executive Committee or Technical Directory).

2. Anti-Doping Code

t.129 (a) Doping is the use by an athlete of a prohibited substance or the use of a prohibited method or technique as defined in the Olympic Movement Anti-Doping Code.

(b) Doping is forbidden by the FIE. Any breaking of this rule will incur disciplinary action.

(c) The FIE reserves the right to conduct doping control during any competitions under its control, as well as out-of-competition.

(d) The FIE agrees to adhere to the Olympic Movement Anti-Doping Code, and adopts in full the 'Prohibited Classes of Substances and Prohibited Methods' Appended to the Code.

In addition, the FIE has determined that both alcohol and cannabinoids shall be prohibited in competition.

(e) Each fencer participating in official competitions of the FIE or at the Olympic Games must submit himself to the anti-doping controls performed according to the Anti-Doping Code of the FIE or, when at the Olympic Games, the IOC/WADA Anti-Doping Code.

(f) The International Licences issued by the FIE shall contain a clause stipulating that licence holders undertake not to use prohibited substances or prohibited methods, and agree to submit to doping control when requested, whether in- or out-of-competition.

(g) The organizers of any official FIE competition must make provision for doping control in their regulations to ensure correct procedures are adhered to during the competition. This includes ensuring fencers are escorted from when they receive the doping control notification until they arrive at the doping control station.

The costs of doping control are the responsibility of the Federation organizing the competition.

(h) The anti-doping controls must be carried out in an IOC/WADA-accredited laboratory. The observer must make sure of this and point it out in his report. Any organizer not respecting this obligation will be penalized by the cancellation of the competition for the following season.

(i) At World Championships — Open, Junior and Cadet — the method of selection for doping control is determined by the delegates of the FIE Medical Commission in agreement with the President of the FIE or his representative. At A Grade competitions, the selection is determined by the organizers in agreement with the FIE Observer.

In individual competitions doping control will in principle be carried out on three fencers: those placed first and second in the final, plus one more chosen by drawing lots among the remaining six finalists, in the case of a final of 8 fencers, and among the remaining two finalists, in the case of a final of 4 fencers.

In team events, one fencer will be drawn by lots from among each of the first four teams.

(j) Before leaving the competition venue, every fencer liable for doping control (cf. t.129 (g)) must obtain confirmation from the President of the Technical Directory that he has not been selected for testing. If a fencer does not do so and he is

selected for doping control, he will be considered to have refused to take part in the control.

- (k) In addition to the foregoing, the persons responsible for doping control have the right for legitimate reasons to submit any fencer to doping control. But this decision can only be taken by members of the FIE Medical Commission, of whom at least two must be present, and only after they have notified the President of the FIE (or his representative) or the FIE Observer, as well as the Chairperson of the Technical Directory.
- (l) The competition organizers may, at any stage of the competition, conduct 'unannounced' doping control on one or more fencers. They must respect the following conditions:
1. They must draw lots in the presence of the President of the FIE (or his representative) or the FIE Observer or the Chairperson of the Technical Directory.
 2. They must hand the notification form to the fencer in person as soon as he is eliminated.
 3. The doping control must be started within an hour of the fencer receiving the notification.
 4. The organizers may only carry out this unannounced test if they can guarantee the presence of one or more doping control experts.
- (m) Fencers found to have contravened this Anti-Doping Code will be subject to the Disciplinary Code of the FIE (Statutes, Chapter 7).
The publication of test results and decisions relating to application of penalties will be announced by the Central Office of the FIE which alone has the right to bring them to the notice of all member Federations.
- (n) Doping offences committed and penalized in one of the member countries of the FIE will be taken into account and the penalties will be applied by all member countries of the FIE.
- (o) Penalties -- The penalties that appear in Appendix 1 are obligatory. They are based on those provided for in the Olympic Movement Anti-Doping Code, and are clearly defined in the FIE 'List of Penalties for Doping' (Appendix 1)

ATTACHMENT 1 **Penalties for Doping Offences.**

Any fencer refusing to submit to this control or this medical exam, or who has been found guilty of doping, will be excluded from the event and will not be classified, irrespective of any specific penalties. All the fencers ranked after him are moved up by one place in the results of the competition. If necessary the placing of the two third-placed fencers will be decided according to their ranking for the composition of the table.

1. In a case of doping, the penalties for a **first offence** are as follows:-

a) if the Prohibited Substances used are:

Stimulants (other than amphetamines), Narcotics, Alcohol, Cannabinoids or Glucocorticosteroids ("**Schedule 1**"):

- i) Suspension from all competitive sport for a period of three months;
- ii) the option of a further ban on participation in a specific sports event or events after the suspension period has ended (e.g. a ban on participation in the following World Championships);
- ii) an optional additional monetary fine of up to US\$ 10,000.

b).if the Prohibited Substances used are other than those referred to in paragraph a) above, i.e.:

Anabolic Agents, Amphetamines, Cocaine, Diuretics, Peptide Hormones and their mimetics or analogues, or if Prohibited Methods are used ("**Schedule 2**"):

- i) suspension from all competitive sport for a period of two years;
- ii) the option of a further ban on participation in a specific sports event or events after the suspension period has ended (e.g. a ban on participation in the following World Championships or Olympic Games);
- iii) an optional additional monetary fine of up to US\$ 10,000.

2. In the case of a **repeat offence** (within ten years of the previous doping offence) the penalties shall be the following:

a) for a Schedule 1 offence:

- i) suspension from all competitive sport for period of two years;
- ii) the option of a further ban on participation in a specific sports event or events after the suspension period has ended (e.g. a ban on participation in the following World Championships or Olympic Games);
- iii) an optional additional monetary fine of up to US\$ 10,000.

b). for a Schedule 2 offence:

- i) suspension from all competitive sport for life;
- ii) an optional additional monetary fine of up to US\$ 10,000.

3. In the case of:

- refusal to undergo any test contemplated in this Anti-Doping Code;
- a case of doping for which an official or member of the athlete's entourage is responsible; or
- involvement in an act of doping by members of the medical, pharmaceutical or related professions;

the following penalties shall be applied in i) above for the fencer at fault, and in ii) and iii) above for the official or person at fault:

a) for a **first offence**:

- i) suspension from all competitive sport for a period of two years;
- ii) the option of a further ban on participation in a specific sports event or events after the suspension period has ended;
 - i) an optional additional monetary fine of up to US\$ 100,000.

b)..In the case of a **repeat offence**:

- i) suspension from all competitive sport for life;
- ii) an optional additional monetary fine of up to US\$ 100,000.

4. Any case of doping in a competition automatically leads to **invalidation of the result** obtained in the individual event and invalidation of the results obtained in the team event in which he participated (with all its consequences, including forfeit of any medals or prizes), irrespective of any other sanction that may be applied, subject to the provisions of point 5 of this article.

5. Any fencer suspended for doping during a competition loses the points obtained during this competition (with all its consequences, including forfeit of any medals or prizes) and the other fencers ranked after him move up of one place in the results of the competition. Under all circumstances, only fencers who have obtained points in the competition can move up one place in the results of the competition.
6. In the event that a competitor who is a member of a team is found guilty of doping, (either during an individual or during a team competition), the team who used the fencer guilty of doping loses the points obtained (with all its consequences, including forfeit of any medals or prizes) and the other teams ranked after this one move up one place in the results of the competition. Under all circumstances, only teams who have obtained points in the competition can move up one place in the results of the competition.
7. The team who used a fencer found guilty of doping during his period of suspension, loses the points obtained (with all its consequences, including forfeit of any medals or prizes) and the other teams ranked after this one, move up one place in the result of the competition. Under all circumstances, only teams who have obtained points in the competition can move up one place in the result of the competition.
8. In the Olympic Games and official FIE events the regulations mentioned above do not prejudge the application of further additional penalties that the F.I.E could impose.
9. Only the following are tested for during the Out-of-Competition period:
 - a) Anabolic Agents, b) Diuretics, c) Peptide Hormones, their mimetics and analogues, and d) Prohibited Methods. The penalty for a doping offence detected during an out-of-competition test shall be the same as for during competition, 'mutatis mutandis' (i.e., with changes made as necessary).

2. Procedure for taking samples

- t.130** (a) As soon as a fencer selected by lot for drug testing has finished fencing in the competition, a representative of the organizing committee will, by handing him a special form, request him to present himself within an hour to the waiting room of the drug test room, and to take with him some form of identification. The fencer or his team captain must sign a detachable section of the form which shows the time at which he or she was given the request. Every fencer liable to be tested (cf. t.129/h) must obtain the confirmation of the President of the Technical Directory that he or she has not been selected by lot for testing, before leaving the venue of the competition. If a fencer does not do so and his name is selected by lot for testing, he or she will be considered to have refused to take part in the test. When he or she presents himself for examination the fencer may be accompanied by a team official or doctor.
- (b) A representative of those conducting the test receives the fencer and his official on their arrival at the drug testing room. He or she verifies the identity of the fencer with the help of his identity card and his competition number.
 - (c) If the fencer does not arrive at the drug testing room within the hour following the delivery of the request, this will be noted on his drug testing form.
 - (d) The only people who are allowed in the medical examination room, other than the fencer and the official accompanying him, are:
 - Two doctors who are members of the FIE Medical Committee, invited by the Organizing Committee at the instigation of the President of the FIE;
 - One doctor from the country organizing the competition;
 - One interpreter, if needed;
 - The President of the FIE or, possibly, his representative.

- (e) Each fencer's personal details and the time of his arrival are entered on his drug testing form.
- (f) The procedure and equipment used for taking samples cannot be contested if the laboratory which sent the person in charge of taking samples and provided the material is accredited by the IOC.
- (g) If a fencer refuses to provide a sample, he or she must be warned of the consequences of such a refusal (cf. t.129/d). If he or she persists, his refusal is documented on his personal form.
- (h) A breathalyser test may be carried out to provide evidence of the possible consumption of alcohol by a fencer. Should the result of this test prove positive (an apparent alcohol level of over 0.5 parts in 1000, 0.05%), and if the fencer contests this result, he or she must demand a quantitative measurement. Should it not be possible to carry out this measurement using a breathalyzer, a blood test must be carried out. If the fencer refuses to take part in this test, he or she is warned of the consequences of this decision. The penalty comes under those described in Class2 in Article t.129 (p).

3. Analysis

- t.131** (a) The analysis of a sample must, where possible, be carried out within 24 hours of its arrival at the laboratory.
- (b) Techniques adopted for analysis will not be contestable in so far as they comply with the rules decreed by the IOC and, all the more so, if they are carried out by a laboratory accredited by the IOC.
 - (c) The following are allowed access to the laboratory in addition to the head of the laboratory and his personnel: the members of the Medical Committee of the FIE, the person responsible for the drugs test and, in the event of a test of the second bottle, the observer nominated by the accused fencer.

4. List of products forbidden in competitions

- t.132** The list of banned substances and the procedure of the IOC have been adopted as reference documents by the FIE. They are attached in an appendix and updated after each revision made by the IOC. This list points out that, at the request of the FIE, alcohol testing will be carried out at fencing competitions. An alcohol level of above 0.05% is liable to the penalties specified in the Rules.

BOOK 2. ORGANIZATION RULES*

CHAPTER 1. COMPETITIONS

- o.1** The official competitions of the FIE are organized according to the following rules.
- o.2** The official competitions of the FIE are open to fencers (individual or team) of all FIE member countries; every competitor or participant in a competition, irrespective of his or her status, is required to be a holder of a current international licence (cf. Statutes, Chapter IX).

CHAPTER 2. BODIES RESPONSIBLE FOR ORGANIZATION AND CONTROL

1. The Organizing Committee

- o.3** The Organizing Committee is the group of persons responsible for organizing the competition.

2. The Central Office of the FIE

- o.4** The Central Office of the FIE controls the activities of the Technical Directory at the Olympic Games and at the Open, Junior and Cadet World Championships, as described in Article o.63.

3. The Technical Directory

- o.5** The technical organization of competitions is entrusted to a Technical Directory, the functions and scope of whose activities are described in the Rules (cf. t.97, o.56–62).

4. Referees

- o.6** Referees must be appointed in accordance with the provisions of Articles t.37–t.39. They must possess current refereeing licences, national or international

5. Auxiliary personnel

- o.7** The organizing committee will appoint:

- (a) Scorers and time-keepers

The organizers will appoint, on their own responsibility, scorers whose duty it will be to keep the score-sheet for the bout, the pool or the match and maintain the score-boards, and a time-keeper whose duty it will be to keep time for the duration of the bouts (cf. t.30ss).

For finals, the Technical Directory may appoint a delegate or a referee, neutral wherever possible, to supervise the time-keeper, the scorer and the person responsible for the scoring apparatus.

- (b) Superintendents of the apparatus

The Organizing Committee must choose qualified persons, who pay careful attention to the signals given by the apparatus in order that they may be able to advise the Referee as to what the apparatus has registered, and warn him, even during the course of a bout, as to any abnormal phenomena which may occur.

The superintendent of the apparatus must not touch the apparatus while fencing is in progress. When fencing ceases, he resets the apparatus either after the Referee has given his decision or when the competitors are testing their weapons; but he must never, after a phase of the bout has caused the apparatus to signal a touch, annul this signal before the Referee has given his decision.

* *USFA Note: This section is provided largely for the benefit of those persons attending FIE Competitions (World Cup, World Championship and the Olympic Games.) The Operations Manual of the USFA is the primary document for the organization and running of all USFA competitions.*

- (c) One or more experts

For each tournament, the Organizing Committee must appoint experts in matters relating to the electrical apparatus. These experts are placed under the supervision of the Technical Directory.

The experts may be consulted, separately or conjointly, by the referees or by the Technical Directory regarding all questions relating to the electrical apparatus.

Members of the Committee for Electrical Apparatus and Equipment of the FIE (SEMI) are *ex officio* qualified to act as experts.

- (d) The technicians

For each tournament, the Organizing Committee must ensure the presence of competent technicians to remedy faults in the electrical apparatus and, possibly, in the personal electrical equipment of the fencers.

- (e) Checking of equipment

- o.8** The checking of the organizers' equipment, as well as the equipment of the fencers, must be carried out in accordance with the rules to be found in the Material Rules.

CHAPTER 3. ENTRIES FOR COMPETITIONS

- o.9** Entries must be sent to the organizers by the competitor's national federation (for the Olympic Games by their national Olympic Committee).

CHAPTER 4. TIMETABLE

- o.10** (a) The program should be arranged in such a way that no fencer is obliged to participate in events for more than 12 hours in 24. In any case, no pool, bout or match may begin after midnight, or at any time when it can be foreseen that there is a likelihood that it will end after midnight.

Whatever program is adopted, the final should start at a time which, having regard to local routines, will ensure that the results can be communicated to the media in sufficient time to allow them to be published.

In their timetable the organizers must allow sufficient time for it to be possible to carry out the checking of the fencers' equipment, i.e. a minimum of one day per weapon.

- (b) The first round of all the individual and team competitions for the World Championships and Olympic Games must be displayed by 4 p.m. at the latest the day before the competition (cf. t.123).

CHAPTER 5. INDIVIDUAL COMPETITIONS

(USFA Note: The procedures and guidelines for the conducting of USFA competitions are contained in the Operations Manual. The articles contained in this chapter refer exclusively to FIE competitions and are for informational purposes only.)

- o.11** Individual competitions may be organized:

A. By direct elimination with a mixed system consisting of one round of eliminating pools and a preliminary direct elimination table, followed by a main direct elimination table of 64 fencers to qualify 8 or 4 fencers for a direct elimination final.

B. By direct elimination with a mixed system consisting of one round of eliminating pools, followed by a direct elimination table to qualify 8 or 4 fencers for a direct elimination final.

C. By direct elimination throughout. (This formula, applicable at the Olympic Games, is contained in an appendix.)

1. GENERAL RULES FOR THE ROUND OF POOLS

- o.12** In all competitions for which the formula includes a round of pools, these pools will consist of 7 fencers if the number of participants is divisible by 7. If not, they will consist of 6 fencers if the number of participants is divisible by 6. Otherwise the pools will be of 7 and 6.

At World Cup competitions the organizing country may add the necessary number of fencers of their own nationality for all the pools to consist of 7 fencers.

Composition of pools

- o.13** **The composition of pools must, except where there are contrary provisions in these Rules, take account of the latest official FIE ranking, drawing lots among any fencers who are not ranked.** The allocation of fencers in the pools must be made in such a way as to place fencers of the same nationality in different pools, as far as possible.

The order of fencers on the pool sheet is decided by drawing lots.

The pools must be fenced up to the last bout.

- o.14** The order of bouts in the pools is as follows:

Pool of 4 fencers: 1-4 2-3 1-3 2-4 3-4 1-2

Pool of 5 fencers: 1-2 3-4 5-1 2-3 5-4 1-3
2-5 4-1 3-5 4-2

Pool of 6 fencers: 1-2 4-5 2-3 5-6 3-1 6-4
2-5 1-4 5-3 1-6 4-2 3-6 5-1 3-4 6-2

Pool of 7 fencers: 1-4 2-5 3-6 7-1 5-4 2-3
6-7 5-1 4-3 6-2 5-7 3-1 4-6 7-2 3-5
1-6 2-4 7-3 6-5 1-2 4-7

Pool of 8 fencers: 2-3 1-5 7-4 6-8 1-2 3-4
5-6 8-7 4-1 5-2 8-3 6-7 4-2 8-1 7-5
3-6 2-8 5-4 6-1 3-7 4-8 2-6 3-5 1-7
4-6 8-5 7-2 1-3

Pool of 9 fencers: 1-9 2-8 3-7 4-6 1-5 2-9
8-3 7-4 6-5 1-2 9-3 8-4 7-5 6-1 3-2
9-4 5-8 7-6 3-1 2-4 5-9 8-6 7-1 4-3
3 5-2 6-9 8-7 4-1 5-3 6-2 9-7

Pool of 10 fencers: 1-4 6-9 2-5 7-10 3-1
8-6 4-5 9-10 2-3 7-8 5-1 10-6 4-2 9-7
7 5-3 10-8 1-2 6-7 3-4 8-9 5-10 1-6
2-7 3-8 4-9 6-5 10-2 8-1 7-4 9-3
2-6 5-8 4-10 1-9 3-7 8-2 6-4 9-5
10-3 7-1 4-8 2-9 3-6 5-7 1-10

- o.15** When there are several fencers from the same country in a pool:

- (a) If they do not form the majority of the competitors in the pool, they must fence off the bouts between themselves before meeting competitors of another nationality.
- (b) If they form the majority of the competitors in the pool, the Technical Directory may establish a special order of bouts, departing as little as possible from the principle laid down in (a) above, in order to obviate excessive fatigue or delays for the competitors who form the minority in the pool.

- (c) When competitors classed as 'stateless' are included in a pool, they must first fence against the competitors of the nationality to which they originally belonged, after the latter have fenced each other, and thereafter against the competitors of the country which grants them their international fencing licence.

- (d) Examples of the order of fencers of the same nationality in a pool of six:

1. When a pool contains, among its six qualified fencers,
— two fencers of the same nationality A, or
— two fencers of the same nationality A and two of the same nationality B,

the fencers' names are placed on the pool sheet in such a way that those of the same nationality fence each other in their first bout and the order of bouts of a pool of six is that shown in Article o.14 above.

When a pool contains among its six qualified fencers two fencers of the same nationality A, two of the same nationality B, and two of the same nationality C, the order of the bouts will be:

1-4, 2-5, 3-6, 5-1, 4-2, 3-1, 6-2, 5-3, 6-4, 1-2, 3-4, 5-6, 2-3, 1-6, 4-5.

2. When a pool contains among its six qualified fencers,
— three fencers of the same nationality A, or
— three fencers of the same nationality A and two fencers of the same nationality B, or
— three fencers of the same nationality A and three fencers of the same nationality B,

the fencers' names are placed on the pool sheet in the following way:

- the fencers of nationality A are given numbers 1, 2 and 3;
— the fencers of nationality B are given numbers 4 and 5 or 4, 5 and 6.

The order of bouts will be as laid down in Article o.14.

3. When a pool contains among its six qualified fencers four fencers of the same nationality A and two others of different nationalities, the four fencers of nationality A are placed on the pool sheet as 1, 2, 3 and 4 and the order of bouts in the pool is as follows: 3-1, 4-2, 1-4, 2-3, 5-6, 1-2, 3-4, 1-6, 2-5, 3-6, 4-5, 6-2, 5-1, 6-4, 5-3.

- (e) Example of the order of fencers of the same nationality in a pool of seven:

1. When this pool contains, among the seven fencers,
— two fencers of nationality A, or
— two fencers of nationality A and two fencers of nationality B, or

— two fencers of nationality A, two fencers of nationality B and two fencers of nationality C,

the fencers of the same nationality are listed on the pool sheet so that they fence their first bout against each other while following the order of bouts laid down in Article o.14 above for a pool of seven fencers.

2. When the pool contains
— three fencers of nationality A, or
— three fencers of nationality A and two fencers of nationality B, or
— three fencers of nationality A, two fencers of nationality B and two fencers of nationality C,

the three fencers of nationality A must be listed 1, 2 and 3 on the pool sheet, the two fencers of nationality B, 4 and 5, and the two fencers of nationality C, 6 and 7.

The order of bouts for the pool of seven, detailed in Article o.14, is no longer valid and must be replaced by the following order: 1–2, 4–5, 6–7, 3–1, 4–7, 2–3, 5–1, 6–2, 3–4, 7–5, 1–6, 4–2, 7–3, 5–6, 1–4, 2–7, 5–3, 6–4, 7–1, 2–5, 3–6.

- o.16** If a bout in a pool is interrupted by an accidental cause, and this interruption is likely to be prolonged, the Referee may (with the consent of the Technical Directory, or possibly the Organizing Committee) alter the order of bouts in such a way as to allow the normal progress of the competition to proceed.

The time allowed for a fencer to rest between two consecutive bouts in a pool is three minutes.

- o.17** In the pools a bout ends when:

- (a) One of the fencers has scored 5 touches. In this case the score registered on the score-sheet is the final score of the bout ($V5 - Dn$, where n = the number of touches scored by the losing fencer).

In *épée*, if the two fencers reach a score of 4—all, they must fence for a deciding touch, up to the time limit. Any double touch will not be counted (and the fencers will therefore remain where they are on the strip).

- (b) Three minutes of effective fencing time have passed. (There is no warning for the last minute.)

— If when the time limit expires there is a difference of at least one touch between the scores of the two fencers, the fencer who has scored the greater number of touches is declared winner. The score registered on the score-sheet is the actual score achieved in the bout ($VN - Dn$, where N = the number of touches scored by the winning fencer and n = the number of touches scored by the losing fencer).

— If at the end of regulation time the scores are equal, the fencers fence for a deciding touch, with a maximum time limit of one minute. Before the fencing recommences, the Referee draws lots to decide who will be the winner if scores are still equal at the end of the extra minute.

In this case the score registered on the score-sheet is always the actual score achieved in the bout:

- $VN - Dn$ if a deciding touch is scored within the time limit for the bout.
— $V4/D4$ or $V3/D3$ or $V2/D2$ or $V1/D1$ or $V0/D0$ if the winner is designated by drawing lots.

- o.18** Before the competition starts, the Technical Directory will decide on and announce the number of fencers who will be eliminated based on the general index. This number may not be lower than 20% nor higher than 30% of the total number of participants in the pools.

- o.19** After the pools, a single general ranking will be established of all the fencers who have taken part in the pools, taking account, successively, of the indices V/M , $HS - HR$, HS .

(V = victories; M = bouts; HS = touches scored; HR = touches received.)

A summary classification table shall then be made in the following way:

- (a) The results written up on the summary table will be added up to ascertain the two indices required.
- (b) The first index, for the initial classification, shall be obtained by dividing the number of victories by the number of bouts fought, using the formula V/M .
- (c) The fencer with the highest index (maximum 1) will be seeded first.
- (d) In cases of equality in this first index, and to separate fencers with equal first indices, a second index will be established, using the formula $HS - HR$, the difference between the total number of touches scored and touches received.
- (e) In cases of equality of the two indices V/M and $HS - HR$, the fencer who has scored most touches will be seeded highest.

- (f) In cases of absolute equality between two or more fencers, their seeding order will be decided by drawing lots.

Should there be absolute equality among the last to qualify there will not be a barrage, and the fencers with equal indicators will all qualify, even if they are in excess of the number decided on.

Withdrawal

- o.20** A fencer who withdraws, or who is excluded, is scratched from the pool, and his results are annulled as if he had not taken part.

2. GENERAL RULES FOR DIRECT ELIMINATION

- o.21** The direct elimination table (bout plan) is established taking account of the classification table and the special rules for each competition (see Figure 7a, p. 74). The principle of protection of nationality will not be applied.

- o.22** The organizers of a competition must publish the direct elimination bout plan, showing on it the scheduled time for each bout from the table of 64 onwards.

- o.23** The direct elimination bouts are for 15 touches, maximum 9 minutes, divided into three periods of three minutes, with a one minute rest between each period. As an exception, at *saber*, the first period ends either at the expiry of the three minutes or when one of the fencers has scored eight touches. During this rest a person, named before the bout, may have access to the fencer.

A clock, incorporated into the electrical scoring apparatus, blocks the latter at the end of each period

- o.24** The bout ends when:

- One of the fencers has scored 15 touches; or
— 9 minutes of effective fencing time have passed.

The fencer who has scored the greater number of touches is declared the winner.

If at the end of regulation time the scores are equal, the fencers fence for a deciding touch, with a maximum time limit of one minute. Before the fencing recommences the Referee draws lots to decide who will be the winner if scores are still equal at the end of the extra minute.

In this case the score recorded on the score-sheet is the real score achieved in the bout.

Withdrawal

- o.25** When, for whatever reason, a fencer cannot fence, or cannot complete his bout, his opponent is declared winner of that bout. A fencer who withdraws does not lose his place in the overall classification of the competition.

Order of bouts

- o.26** In each round of the direct elimination table (256, 128, 64, 32, 16, 8 or 4), the bouts are always called in the order of the bout plan, starting at the top and ending at the bottom.

This rule must also be applied for each quarter of the table, when the direct elimination is taking place simultaneously on 4 or 8 strips.

A fencer must always be allowed a rest period of ten minutes between two consecutive bouts.

The final

- o.27** The Technical Directory must decide and announce, before the beginning of the competition, whether the final will consist of 4 or 8 fencers.

Classification

- o.28** The general classification is obtained as follows:
 First: the winner of the bout for the first place
 Second: the loser of the bout for the first place
- The two fencers who lose the semi-final matches are placed equal third, when it is not necessary to separate them.
- When it is necessary to separate them, a bout for third and fourth places will be held between the two losers of the semi-final matches. The remainder are placed, within each round of the direct elimination, in accordance with their classification for the composition of the direct elimination table.
- The fencers eliminated in the round of pools are classified according to their classification in this round and they are classed after those who qualified for the direct elimination.

A. Mixed Formula

One qualifying round of pools, a preliminary direct elimination table, a main direct elimination table of 64 fencers to qualify for a final by direct elimination (Open World Championships and Open World Cup competitions)

- o.29** This formula is used for the individual competitions of the Open World Championships and for the Open World Cup competitions.
- o.30** Apart from the details that follow, the general rules for pools and direct elimination described above apply.
- o.31** The competition consists of two phases, a preliminary phase and a main phase, each of which are run on one day.
- The 16 fencers actually present who are classed highest in the most recent official FIE classification are exempt from the preliminary phase. **Confirmation of the presence of the exempted fencers is made with the entering of the fencers.**
- In the case of a tie in the official FIE ranking between two or more fencers for the 16th exempt place, lots will be drawn to decide which of these fencers will benefit from exemption from the preliminary phase.
- o.32** The preliminary phase consists of one round of pools, from which 20%–30% of the participants in the pools are eliminated, based on the indices of all competing in them, and a preliminary direct elimination table.
- After the round of pools, the 16 fencers classed highest on the general index (cf. o.19) are exempt from the preliminary direct elimination table. Should there be a tie between two or more fencers for the 16th place, their FIE ranking will be used to separate them.
- The remainder of the fencers qualifying from the pools will make up a preliminary integral direct elimination table. This will be based on the indices of the fencers in all the pools (in the case of a tie on indices, the fencers will be separated by drawing lots). This table, be it complete or incomplete, will be fenced until only 32 fencers remain.
- o.33** The main phase consists of an integral direct elimination table, which is fenced on four strips, one quarter of the table per strip. The first round of the table of 64 may, however, if required for the organization of the competition, be fenced on eight strips.
- The seeded fencers exempted from the preliminary phase occupy places 1–16 in this table, drawing lots in pairs in the order of their official FIE classification.
- Should one of the fencers whose participation was confirmed the day before not present himself to fence (cf.o.31) his position in the table will remain empty and his federation will be required to pay a fine of FF1000 to the FIE. This penalty will not apply if his absence is caused by circumstances outside his control that occur after the initial roll call.
- The 16 fencers who have the highest indices after the round of pools and who are thus exempt from the preliminary direct elimination table will take places 17–32, classified in the order of their indices (in the case of a tie on indices, the fencers will be separated by drawing lots).

The 32 fencers qualifying from the preliminary direct elimination table will occupy places 33–64, classified according to their indices after the round of pools.

- o.34** There will be no bout for the third place. The two fencers who lose the semi-final matches will be placed equal third.

B. Mixed Formula

One qualifying round of pools, a direct elimination table to qualify for a final by direct elimination (Junior and Cadet World Championships and Junior World Cup competitions)

- o.35** This formula is used for the individual competitions of the Junior and Cadet World Championships and the Junior World Cup competitions.
- o.36** Apart from the details that follow, the general rules for pools and direct elimination described above apply.
- o.37** The competitions are run on one single day per weapon.
- o.38** The competition consists of one round of pools, in which all the fencers present take part, and an integral direct elimination table.
- o.39** When drawing pools in the World Cadet Championships, the Technical Directory will take account of the following orders of strength:
1. The top 8 in the previous year's World Cadet Championships
 2. The 64 highest ranked in the World Junior Cup
 3. Those placed 9–32 in the previous year's World Cadet Championships
 4. Those ranked in the World Junior Cup, placed 65 onwards
 5. The seeding provided by the national federations
 6. The DT's decision
- o.40** All the fencers qualifying from the round of pools are placed in a direct elimination table, complete or incomplete, according to the indices resulting from the pools. This table is fenced right through to the final.
- From the last 32 the direct elimination bouts will take place on 4 strips, with each quarter of the table fenced on one strip.
- o.41** There will be no bout for the third place. The two fencers who lose the semi-final matches will be placed equal third.

CHAPTER 6. TEAM COMPETITIONS

A. Open and Junior World Championships (and Olympic Games) team events

- o.42** At each weapon teams consist of three fencers, with or without a reserve.
- A team may only begin a match if it is complete.
- o.43**
- a) The competition is run by integral direct elimination with a direct elimination table which may be incomplete (see Figure 7b, p. 75).
 - b) At the Open World Championships the teams will occupy the places in the table according to the most recent official team ranking of the FIE, drawing lots in pairs (this will be done on the day before the team championships). The teams that are not classified will occupy the last places in the table, and will be separated by drawing of lots. All places in the table up to 16 th place will be fought for. From 17 th place onwards teams will be classified, within each round of the table, according to their initial place in the table.
 - c) At the Junior World Championships the teams will occupy places in the table according to their ranking. This ranking is arrived at by adding together the positions obtained by their best three team members in the Junior individual event. On the other hand, if a fencer did not take part in the individual competition, but is participating in the team event, he will be assigned points equal to the total number of fencers appearing in the adjusted individual junior ranking plus one.

The first four places will be fought for. From 5th place onwards teams will be classified, within each round of the table, according to their initial place in the table.

All places in the table up to 16th will be fought for. From 17th place onwards the teams will be classified according to their initial index in the table.

o.44 The formula for the competition is as follows.

1. The relay formula applies to all weapons.
2. The three fencers of one team fence the three fencers of the opposing team (9 relay bouts).
3. The bouts of each match have to be fought in the following order:

3-6	5-2
5-1	1-4
2-4	6-2
6-1	3-5
3-4	

If this order is altered, intentionally or unintentionally, **all the touches scored since the modification are annulled and the match is resumed in the correct order.**

4. The position of each team on the match score-sheet is decided by drawing lots. The order of the individual fencers is decided by the team captains.
5. Each 'lap' (bout) of the relay match consists of five touches (5, 10, 15, 20, etc.); the maximum time for each bout is 3 minutes.
6. The first two opponents fence until one of them has scored five touches, within the time limit of 3 minutes.
The next two opponents fence until one of their scores has reached ten touches, within the time limit of 3 minutes, and so on with successive bouts, cumulatively, of five touches.
7. If by the expiration of 3 minutes of fencing time the intended score for the bout has not been achieved, the next two fencers take up the score where it was left off and fence up to the maximum score intended for their bout as normal, within the time limit of 3 minutes.
8. The winning team is that which first reaches the maximum score of 45 touches, or that which has scored the greatest number of touches after the expiration of regulation time.
9. If at the end of regulation time for the last bout the scores are equal, the match continues for a deciding touch, with a maximum time limit of one minute, fought for by the fencers of the last bout in the match. Before the fencing recommences the Referee draws lots to decide who will be the winner if scores are still equal at the end of the extra minute.
10. In the course of a match the captain of a team may ask to substitute for a fencer the reserve nominated before the start of the match. This substitution may only be made at the end of a bout. The fencer who has been replaced may not fence again during that match in order to replace a fencer on the strip, even in the case of an accident or unavoidable circumstances. The announcement that a fencer is to be substituted, which must be reported by the Referee to the Technical Directory and to the opposing team captain, must be made at the latest before the beginning of the bout preceding the next bout of the fencer who is to be replaced.
If an accident occurs in the bout which follows the request for a substitution, the team captain may annul that request.
If the captain of the opposing team has also requested a substitution, this substitution may be implemented or cancelled.
11. If a member of a team is obliged to retire during a match as the result of an accident which has been duly recognized by a medical representative of the FIE, the captain of his team may ask to put in a reserve to continue the match at the point where

the competitor who was obliged to retire withdrew, even during a bout in progress.

However, a competitor who is thus replaced cannot again take his place in the team during the same match.

12. If both a fencer and the reserve, if any, are forced to retire, or if a fencer is excluded, their team has lost the match.
13. When for any reason whatever a team does not complete an event in which it is taking part, the Technical Directory will apply the rules laid down for a competitor who does not complete an event in an individual competition, each team being considered in its entirety as being a single competitor.
14. When a team fails to appear against another team it is considered:
 1. as not completing the event in which it is taking part, if it has already fenced against another team (cf. o.25);
 2. as not competing at all in the event, if it is its first match.

B. Open World Cup team competition

o.45 Apart from the following aspects, the competition is run in accordance with rules laid down for the team events in the Open World Championships.

o.46 All the places in the DE table will be fenced out.
If a team does not begin a match they will be disqualified from the competition and thus will not receive any World Team Cup points, unless this is because of an injury or illness, duly attested by the duty doctor

o.47 The teams will be placed in the direct elimination table according to the current official team ranking of the FIE (Cf.o.89). The teams that are not classified will occupy the last places in the table, and will be separated by drawing of lots.

The table will be drawn up based on the ranking of the teams present at 6pm (18.00hrs) on the eve of the competition.

CHAPTER 7. ORGANIZATION OF OFFICIAL FIE COMPETITIONS

A. COMMON CONDITIONS

(a) Program of competitions

o.48 The program of fencing events at the Olympic Games currently comprises ten events. Any change in the number of events must be approved by the Congress.

The program of the Open World Fencing Championships comprises twelve events, six individual and six team — male foil, female foil, male épée, female épée, male sabre and female sabre.

The program of the Junior and Cadet World Fencing Championships comprises twelve individual events (six junior and six cadet), and six junior team events — at male foil, female foil, male épée, female épée, male sabre and female sabre. These begin with the cadet events, followed by the individual junior events and lastly the junior team events.

The organizers must submit the program of events to the Executive Committee for its approval.

(b) Venues, installations, equipment, accreditation, circulation

of people in the competition enclosure, administrative organization of the Organizing Committee, personnel, various

publications and the official program

o.49 The Organizing Committee must take note of the instructions in the Specifications ('Cahier des Charges') specific to each type of competition.

(c) Entries by member federations

1. Official invitation

o.50 For all the official competitions of the FIE except the Olympic Games, the official invitation is the letter in which the organizing federation invites every FIE member federation to take part in the Championships.

For the World Championships, this invitation must be sent to all the member federations, without exception, at least six months before the competitions.

For World Cup competitions, it must be sent out at least one month before the competition in question.

2. Advance program

o.51 A brochure, comprising an 'advance program' of the Championships, must be sent to the member federations together with the official invitation. It should contain at least the following information:

(a) the official name of the Organizing Committee, postal address, telegraph address and telephone and fax numbers;

(b) the proposed timetable;

(c) organizational details;

(d) information on means of transport, visas, customs duties, etc.;

(e) information on hotels, their price, their location relative to the competition venue.

3. Entry forms

o.52 *Commitment to take part in the World Championships*

The forms must be sent to all federations at the same time as the official invitation. The federations must indicate their intention to participate three months before the beginning of the Championships.

o.53 *Entries for World Championships*

Three months before the start of the events, the federations will receive an entry form from the Organizing Committee, on which they are required to specify the number of fencers and teams participating in each event of the Championships, two months before the start of the events.

No additional entry of fencers will be accepted after this date.

The entry of fencers and teams by name is to be made via the FIE website.

This entry of the names of the fencers and all possible substitutes, and the entry of teams, must be made at least eight days before the start of the Competition. Changes of names, for reasons of 'force majeure', can only be made up to 24 hours before each event.

the first event. The entry of teams, must be made 15 days before the competition at the latest.

The entries are to be made on the FIE website.

From the deadline for entries shown on the FIE website, and before the Tuesday preceding the competition, a fencer may be replaced by another, but in no circumstances may there be an additional entry. To replace a fencer, the national federations must send the FIE a request in writing (fax or e-mail). In the case of an injury, the rules for World Championships apply.

In the case of team competition entries, the names of the fencers making up the team may be modified up until mid-day on the day before the competition, by informing the organizers.

As the referees are designated by the FIE, the delegations are not required to provide referees.

Confirmation of the presence of the fencers and teams is made with the entering of the fencers and teams.

Should a fencer or team who have been entered not present themselves to fence, their federation will be penalised with a fine of 500 Euros/750 CHF, payable to the FIE, except if the federation concerned has warned the organizers by the Tuesday preceding the competition at the latest.

For the other World Cup competitions,

delegations are advised to send their entries announcing their intention to compete at least three weeks before the competition.

The names of those entered must reach the organizers no later than midnight, local time, of the Tuesday preceding the weekend on which the competition is taking place. The name of the team manager must be identified

on this document, as well as the name and category of each referee being brought.

Confirmation of the presence of the fencers is made with the entering of the fencers with the organizers.

Should a fencer who has been entered not present himself to fence, his federation will be penalised with a fine of 500 Euros/750 CHF, payable to the FIE, except if the federation concerned has warned the organizers by the Tuesday preceding the competition at the latest.

The organizers of all official competitions must, at risk of a penalty of a fine of 1000 Euros/1500 CHF, refuse the entry of any fencers not appearing on lists conforming with the above, any entry not requested by a federation and any entry of either fencer or referee not in possession of an FIE licence valid for the current season.

(d) Age of participants

o.55 Apart from for the World Junior and Cadet Championships and the competitions of the Junior World Cup, there is no maximum age limit for competitors.

No fencer is allowed to take part in an official event of the FIE unless he or she is at least 13 years old in 1 January in the year of the competition.

o.54 *Entries by name for World Cup competitions*

For Grand Prix competitions and Team World Cup competitions, the entry of the names of the fencers and all possible replacements, and of the other technical officials, the technical management of major competitions is entrusted to the Directoire Technique, whose composition and nomination must respect the specific rules for each competition.

1. Nomination

o.57 The Directoire Technique at World Championships:

(a) The technical organization of World Championships and Olympic Games is undertaken by a Directoire Technique of six members of different nationalities, one of whom must represent the organizing country.

(b) The Directoire Technique consists of one member of the Legal Commission, one member of the Rules Commission, one member of the Promotion Commission, each having been proposed by their own commission, two persons nominated because of their organizing abilities, and the representative of the organizing country. They are appointed by the Executive Committee of the FIE.

(c) The President of the Directoire Technique is appointed from among its members, also by the Executive Committee of the FIE.

(d) Should there be a tied vote among the members of the Directoire Technique, the President of the Directoire Technique has the casting vote.

For World Cup competitions, Directoires Techniques are appointed by the organizing committees, in accordance with the rules specified in Article o.85 below.

2. Functions

- o.58** The functions of the Directoire Technique include the strict but complete organization of the different events and the obligation to see that the Rules are adhered to; they cannot decide on any departure from the Rules except when circumstances arise in which it is absolutely impossible to apply them.

The Directoire Technique is responsible for the technical organization of the competitions and for ensuring their smooth running.

Hence:

- (a) It checks technical installations;
- (b) It checks the entries;
- (c) It draws up the pool sheets and direct elimination table, according to the rules for individual and team events;
- (d) It allocates referees at the suggestion of the Refereeing delegate, as well as the pistes;
- (e) It supervises the start and progress of the event on the various pistes;
- (f) It examines complaints and solves them;
- (g) It checks results with the help of the Organizing Committee;
- (h) It prepares the subsequent events sufficiently in advance to be able to warn the fencers, officials and judges;
- (i) It supervises the dissemination of results.

(e) Technical management of major competitions

- o.56** Apart from the specific areas of competence which are the responsibility Furthermore the Directoire Technique has disciplinary responsibility at competitions; Article t.97 defines the extent of the authority.

3. Operation

- o.59** The members of the Directoire Technique cannot act in any other capacity at the meeting, such as team captain, official delegate of their federation, referee, competitor, etc. (except at World Cup competitions).

- o.60** The Directoire Technique must always attend events from beginning to end, so as to solve any problem which could arise and thus ensure that the event continues to run smoothly.

All the decisions of the Directoire Technique must be displayed sufficiently in advance on a clearly visible notice-board to be consulted by the fencers and officials. In principle, fencers and officials are informed by their heads of delegations or captains, and they may not lay a complaint against changes in the timetable or any other matter about which information has been displayed at the required time.

- o.61** For the World Championships and the Olympic Games the Directoire Technique must meet at least 24 hours before the first event to draw the first round of pools of the first event.

- o.62** When the Directoire Technique has to make a judgement in the case of an appeal against a referee's decision, the decisions of the Directoire Technique may be made by the majority of the members present (who must be at least three) at the moment of the appeal.

(f) Supervision by the FIE

o.63 With the aim of ensuring that the rules are observed, the President and the members of the Central Office of the FIE have the right to attend all meetings of the Directoire Technique. The Directoire Technique is obliged to give them notice of such meetings.

(g) Anti-doping testing

o.64 An anti-doping test must be carried out at all official competitions of the FIE in accordance with the regulations in Article t.129. It may begin from the start of the competition and applies to fencers who have finished fencing.

B. OPEN WORLD CHAMPIONSHIPS

3. Entries

- o.65** The Open World Championships are open to all FIE member federations.

Entries are limited to four fencers per weapon per nation for the individual events and one team per weapon per nation for the team events.

4. Referees

- o.66** Refereeing at World Championships is carried out by referees chosen by the Executive Committee of the FIE at the proposal of the Refereeing Committee. Referees' travel and board and lodging costs are paid by the organizing committee, who in return will receive all the entry fees. Referees must attend the refereeing meeting that takes place the day before the World Championships.

5. Invitations for international officials

- o.67** Any proposed candidature for organizing the World Championships must be studied at the venue concerned by an ad hoc delegation designated by the Executive Committee, at the invitation of the candidate federation.

The organizing committee of the World Championships, who will receive all the entry fees from the participating delegations, must, at their own expense, invite the following international officials (tourist-class return air fare, accomodation and daily allowances):

1. The President of the FIE or his representative, who presides over the World Championships and, in particular, controls the smooth running of the Directoire Technique.
2. A head of protocol designated by the President of the FIE.
3. Six members of the Directoire Technique appointed by the Executive Committee of the FIE, of whom one must belong to the organizing country.
4. Three members of the SEMI Committee, appointed by the Executive Committee of the FIE.
5. Four members of the Refereeing Committee, one of whom is designated principal delegate, appointed by the Executive Committee of the FIE.
6. Two members of the Medical Committee, appointed by the Executive Committee of the FIE.
7. The referees designated by the Executive Committee (maximum 34).

C. REGIONAL GAMES

- o.68** The Regional Games recognized by the FIE are the same as those recognized by the International Olympic Committee, when fencing is on the program (e.g. the Mediterranean Games, the Pan-American Games, the Central American and Caribbean Games, etc.) and also in addition the Commonwealth Games.

The Rules of the FIE are obligatory in cases which are not provided for by the Rules for Regional Games adopted by the International Olympic Committee.

(a) Technical delegates of the FIE

- o.69** The Technical delegate of the FIE, who represents the FIE in accordance with the Olympic Rules for Regional Games, will be chosen by the President of the FIE, either from among the members of the Executive Committee, or from among the membres d'Honneur, the members of the Committees of the FIE or the Presidents of national federations who live at a reasonable distance from the Regional Games.

The expenses incurred by this representative (tourist-class air fare, hotel and board) will be paid by the Organizing Committee.

(b) Technical officials and referees

o.70 The Olympic Rules for Regional Games stipulate that the control of all the technical organization of the Games, including appointing referees and officials, must be entrusted to the international federations. The Organizing Committee must pay the expenses (tourist-class air fare, hotel and board) for the following officials:

1. *Directoire Technique*. Two foreign members if the *Directoire Technique* has three members; five foreign members if there are six members.

The *Directoire Technique* is appointed by the Executive Committee of the FIE after consultation with the Organizing Committee.

2. *Checking of Equipment*. One or two representatives of the SEMI Committee, depending on the importance of the fencing events at the Games. These representatives are appointed by the Executive Committee of the FIE after consultation with the Organizing Committee.

3. *Refereeing delegate*. A representative of the Refereeing Committee, appointed by the Executive Committee of the FIE after consultation with the Organizing Committee.

4. *Neutral referees*. Two or three international referees, depending on the importance of the event, from countries outside the region of the Games, appointed by the Executive Committee of the FIE after consultation with the Organizing Committee.

D. JUNIOR AND CADET WORLD CHAMPIONSHIPS

3. Entries

o.71 The Junior and Cadet World Championships are open to all FIE member federations. Entries are limited to three fencers per weapon per nation for the individual events and one team per weapon per nation for the team events.

4. Age of the competitors

o.72 Competitors in the World Junior Championships, individual and team, must be less than 20 years of age on 1 January of the year in which the World Junior Championship is held.

Competitors in the World Cadet Championships must be less than 17 years of age on 1 January of the year in which the World Cadet Championship is held.

5. Referees

o.73 Refereeing at World Junior and Cadet Championships is carried out by referees chosen by the Executive Committee of the FIE on the proposal of the Refereeing Committee. Referees' travel and board and lodging costs are paid by the organizing committee, who in return will receive all the entry fees.

Referees must attend the refereeing meeting that takes place the day before the World Championships.

6. Invitations for international officials

o.74 The organizing committee of the World Championships, who receive all the entry fees from the participating delegations, must, at their own expense, invite the same list of international officials (tourist-class return air fare, accommodation and daily allowances) as is set out (cf. o.69) for the Open World Championships.

E. WORLD CUP COMPETITIONS

1. Introduction

o.75 The title 'World Cup Competition' applies to the following competitions:

- The individual competitions of the Open World Cup and the Grand Prix competitions
- The competitions of the Junior World Cup
- The competitions of the Team World Cup

2. Criteria

o.76 (a) Admission

A competition can only be classed or kept as a World Cup competition if it satisfies the following criteria.

— Participation must include fencers:

- from at least eight countries, for open competitions in Europe;
- from at least five countries, for open competitions outside Europe;
- from at least five countries, for junior competitions.

— Participation must include a minimum of:

• ten fencers listed in the top 32 in the official ranking of the FIE and representing at least five different countries for open competitions in Europe (no requirement for competitions outside Europe).

— The competition must be attended by at least four FIE A or B Grade referees of different nationalities.

— The Rules of the FIE must be faithfully applied, as well as the specification for World Cup competitions. The organizers must use automatic judging equipment of which the prototype has been approved by the SEMI.

— The final (4 or 8) must take place in a hall in which there is space allocated to the public.

— There must be a sufficient number of pistes to allow the first round to take place in no more than two series of pools.

— During the finals, the organizers must display signs on the piste indicating the names and nationalities of the fencers.

— For the presentation of the prizes, the protocol rules of the FIE must be applied (cf. FIE Administrative Rules).

— There must be a medical doctor present on the premises of the competition for the whole duration of the competition.

— There must be an anti-doping test conforming to the regulations of the FIE (cf. t.129).

o.77 (b) The Observer

The organizers of World Cup events, individual and team, must ensure the presence of an Observer of the FIE from a country other than that of the organizers, whose task it will be to verify that the competition properly fulfils the World Cup criteria.

The travel, board and lodging costs of the Observer are the responsibility of the organizers, in accordance with the standards updated from time to time by the Executive Committee of the FIE.

This Observer is proposed by the Central Office and appointed by the Executive Committee of the FIE. He is chosen from the Commissions of the FIE or from the Executive Committee.

o.78 (c) The *Directoire Technique*

For Grand Prix competitions, one of the three members of the *Directoire Technique* shall be designated by the Executive Committee of the FIE, taking into account the principle of geographic proximity. If the organizing country has an appropriate person, the FIE will nominate that person

3. Participation

o.79 1 For Individual Category A competitions, both Senior and Junior, at each weapon, national federations may enter a maximum of 12 fencers. The organizing country (**competitions in Europe**) may enter **up to 20 fencers plus the number needed to make up the pools.**

2 For competitions outside Europe, the organizing country may enter **up to 30 fencers plus the number needed to make up the pools.**

3 For Grand Prix competitions, entries are limited to a maximum of 8 fencers per weapon per country.

The organizing country may enter **a maximum of 20 fencers, including those needed to make up the pools.**

o.80 The fencers who are of an age to qualify for the next World Junior Championships may fence in the Junior World Cup competitions of the fencing season.

4. Referees — A Grade and Candidate A Grade competitions and Grand Prix

o.81 (a) The number of FIE A or B Grade referees (cf. t.35) that must accompany teams to A Grade competitions is:

1–4 fencers No obligation to provide a referee

5–9 fencers 1 referee

10 or more fencers 2 referees

(b) Grand Prix competitions

For the competitions for which referees are designated by the Executive Committee (Grand Prix), at the proposal of the Refereeing Commission and in consultation with the organizers, delegations will not have to bring referees. Eight referees will be designated by the Executive Committee, at the expense of the organizers, who in return will charge an entry fee of 100 CHF.

The organizer will thus have at their disposal at least eight referees designated by the FIE, plus at least four referees designated by the organizing country, at its convenience.

The organizers must arrange a meeting of the referees to take place the day before the Grand Prix competition.

(c) For A Grade or candidate A Grade competitions, should a national federation not bring the required number of referees, it will be charged a fine of 500 Euros/750 CHF if the organizer was informed 15 days before the competition, or of 1000 Euros/1500 CHF if the organizer was not informed 15 days before the competition.

This fine must be paid by the delegation to the organizers, who may keep this amount provided that they ensure the services of the referee(s) necessary to replace the missing referee(s). This fine reverts to the FIE if the organizers do not arrange the presence of replacement international referees, who may be from the organizing country.

Under whatever circumstances, if a national federation does not pay this fine, it must reduce the participation of its fencers in conformity with the quotas (cf. (a) above).

5. Team World Cup

o.82 (a) Application

Team World Cup competitions take place at the three weapons, both male and female.

(b) Principles

1. The Team World Cup tournament is composed of a maximum of six integral competitions (through to the first place). If possible two competitions will be organized in Europe, one in Asia/Oceania, one in America and one in Africa. Points will be allocated at the end of each competition. One of the continents may add one additional competition within the limits of six competitions per weapon.

2. The teams are made up of three fencers, with or without a substitute.

3. Each Team World Cup competition is run throughout by direct elimination and all places in the table up to 16th place will be fought for. From 17th place onwards teams will be classified according to their initial place in the table.

4. The matches proceed according to the team-relay formula, as provided for in Article o.44 of these Rules.

(c) Entries

Team entries are open to all countries and limited to one team per country.

6. Individual World rankings

o.83 1 Official individual ranking of the FIE

a. Principles

The **official ranking of the FIE** takes into account the best six results of the World Cup or Grand Prix competitions in which the fencer has participated, with a limit of no more than 3 on the same continent, plus the World Championships or Olympic Games, **and the Zonal Championships.**

b. The **official junior ranking of the FIE** takes into account the best six results of the World Cup competitions in which the fencer has participated, with a limit of no more than 3 on the same continent, plus the World Championships **and the Zonal Championships.** If all the competitions in a particular weapon take place on the same continent, then the ranking shall take into account the best five World Cup results without restriction of continent.

2 Scale of points

c. The **FIE Grand Prix competitions and the zonal championships** are multiplied by a factor of 2.

3 Honors,

The winner (first ranked fencer) of each senior official ranking of the FIE will be announced **at the end** of the World Championships or Olympic Games.

7. Team World rankings

o.84

B. Official team ranking of the FIE

(a) Principle

The team official ranking of the FIE takes into account of a team's **best four results** in the Team World Cup, with a limit of no more than two on the same continent, plus the World Championships or Olympic Games, **and the Zonal Championships.**

(b) Team scale of points

The ranking will be based on the following scale of points:

1st place 64 points 10th place 24 points

2nd place 52 points 11th place 23 points

3rd place 40 points 12th place 22 points

4th place 36 points 13th place 21 points

5th place 32 points 14th place 20 points

6th place 30 points 15th place 19 points

7th place 28 points 16th place 18 points

8th place 26 points 17th–32nd 8 points

9th place 25 points

For the Team World Championships, the points indicated above are multiplied by two.

(c) Honors

The winner (first ranked team) of each team official ranking of the FIE will be announced **at the end** of the World Championships or Olympic Games

F. NATIONS' GRAND PRIX

- o.85** For the scale of points for the Nations' Grand Prix at the World Championships and the Olympic Games, please refer to the Administrative Rules of the FIE.

BOOK 3. MATERIAL RULES

PART 1. FENCERS' WEAPONS AND EQUIPMENT

CHAPTER 1. WEAPONS

1. CHARACTERISTICS COMMON TO ALL WEAPONS

m.1 There are three types of weapon: foil, épée and sabre.

All weapons are authorized providing only that they conform to these regulations and to the safety standards which are attached.

The weapon should be so constructed that it cannot normally injure either the user or his opponent. All methods of treating a blade between the guard and the tip (point), by grinding, filing or other methods, are forbidden.

Sharpening the edges or angles of the point is forbidden.

A. General description

m.2 All weapons are composed of the following parts.

1. A flexible steel blade completed at its forward extremity by a point and at the rear by the tang (the latter included in the hilt when the weapon is mounted).
2. A grip within which the tang of the blade is fixed by a locking nut or in any other way, and which enables the fencer to hold the weapon. It may be composed of one or several parts: in the latter case it is divided into a handle (which is normally held in the hand) and a pommel (rear portion of the hilt which locks the handle onto the tang).
3. A metal guard fixed (with the convex face towards the front) between the blade and the hilt, serving to protect the sword hand. The guard must contain a padding or cushion (cf. m.5/2) to reduce the effect of blows. It will also contain a socket to which the bodycord can be connected.

B. Dimensions (cf. m.7ss, m.15ss, m.21ss)

m.3 Each weapon has its particular design and measurements.

1. The length of the blade includes the point and everything which is added in front of the convex surface of the guard whether or not it is fixed to the latter.
2. The total length of the weapon and its various parts corresponds to the distances between lines (planes) drawn parallel to each other and perpendicular to the axis of the blade. These lines are situated:
 - A at the forward extremity of the weapon
 - B at the point where the blade leaves the front, convex, surface of the guard
 - C at the back of the aforesaid guard
 - D between the handle and the pommel
 - E at the rear extremity of the grip
3. The total length of the weapon is the distance between lines A and E; the length of the blade that between A and B; the length of the grip that between B and E; and the depth of the guard that between B and C.
4. The maximum total length of the weapon must be less than the greatest permissible length for the blade and the hilt added together. These two latter lengths must, therefore, complement each other to arrive at the total length of the weapon.
5. In order to measure either the total length of the weapon or the length of the blade, it is essential that the latter should be without any curve. When measurements are being made, the blade should therefore be held straight on a flat surface.
6. Only the pommel or the locking nut may be placed between lines D and E.

C. The grip

- m.4
1. The maximum length of the grip at foil and épée is 20 cm, measured between lines B and E, and 18 cm, measured between lines B and D. At sabre the maximum length of the grip is 17 cm (see Figures 8, 9 and 13, pp. 80, 83, 88).
 2. The grip must be able to pass through the same gauge as the guard. It must be so made that normally it cannot injure either the user or his opponent.
 3. All types of hilts are allowed providing that they conform to the regulations which have been framed with a view to placing the various types of weapons on the same footing. However, at épée, orthopaedic grips, whether metal or not, may not be covered with leather or any material which could hide wires or switches.
 4. The grip must not include any device which assists the fencer to use it as a throwing weapon.
 5. The grip must not include any device which can increase in any way the protection afforded to the hand or wrist of the fencer by the guard: a cross bar or electric socket which extends beyond the edge of the guard is expressly forbidden.
 6. If the grip (or glove) includes any device or attachment or has a special shape (orthopaedic) which fixes the position of the hand on the grip, the grip must conform to the following conditions.
 - (a) It must determine and fix one position only for the hand on the grip.
 - (b) When the hand occupies this one position on the grip, the extremity of the thumb when completely extended must not be more than 2 cm from the inner surface of the guard.

D. The guard (cf. m.9, m.17, m.24)

- m.5
1. The convex face of the guard must have a shape and surface which is both smooth and not too bright. It must be so made that it can neither hold nor catch the opponent's point. It must not have a raised rim.
 2. Inside the guard there must be a cushion (padding) sufficiently wide to protect the electric wires from the fencer's fingers. The padding on the inside of the guard must be less than 2 cm thick and must be arranged in such a way as not to increase the protection which the guard affords the hand.

The connections must be so arranged that it is impossible for the fencer to break or make contacts while fencing.

On foils, the wire must be protected by an insulating sheath.

On épées, the two wires must be protected by two insulating sheaths, one on each wire.

Both the wire and the insulating sheath must go right up to the socket.

In no case may uninsulated wires project beyond the point where they are attached to the socket (cf. m.29, m.31).
 3. Any system of attachment inside the guard is allowed, provided that it conforms to the following requirements.
 - It must be easy to detach or attach the bodycord.
 - It must be possible to check it by a simple method such as using a penknife or a coin.
 - It must be easy to apply the pointe d'arrêt of the opponent's weapon to the ground circuit connected to the blade.
 - It must have a security device which makes it impossible for the contact to be broken during the bout.
 - It must ensure the complete connection of the electric wires; it must be impossible for even a momentary break of contact to occur while the plugs are connected.

— It must not include any part which allows electrical contact to be made between the plug sockets.

4. The maximum electrical resistance allowed for foil and épée is 2 ohms.

Those who wish to assemble electric weapons, but who are not equipped to undertake electrical tests, are advised that the limits for the electrical resistance for the circuits laid down for each weapon have been fixed so that they can be attained by anyone who is reasonably careful.

They are advised:

- thoroughly to de-oxidize the external surface of the guard and the connecting surfaces inside it;
- not to destroy the insulation of the wires, especially where they pass along the groove in the blade at the point and at the guard;
- to avoid accumulations of glue in the groove of the blade.

2. FOIL

(a) Weight

m.6 The total weight of the foil ready for use must be less than 500 g.

(b) Length

m.7 The maximum total length of the foil is 110 cm.

(c) The blade

m.8 The blade, which is rectangular in section, must be made of steel complying with the safety standards described in Appendix A to the Rules.

The edges must be smoothed off so that they will not cut, and must be chamfered at an angle of 45° (± 5°), 0.5 mm on each side (± 0.1 mm), so that they will neither cut nor become capable of cutting.

The blade is mounted with the widest face placed horizontally. The maximum length of the blade is 90 cm (cf. m.3). The blade should have a flexibility equivalent to a bend of minimum 5.5 cm and maximum 9.5 cm measured in the following way.

1. The blade is fixed horizontally at a point 70 cm from the extremity of the point.
2. A 200 g weight is suspended 3 cm from the extremity of the point.
3. The bend of the blade is measured at the extremity of the point between the non-weighted and weighted positions (see Figure 8, p. 80).
4. The groove in the blade must be uppermost.

The blade should be as straight as possible. Any curve of the blade must be uniform and the maximum bend must in any case be less than 1 cm; it is only permitted in the vertical plane and must be near the center of the blade.

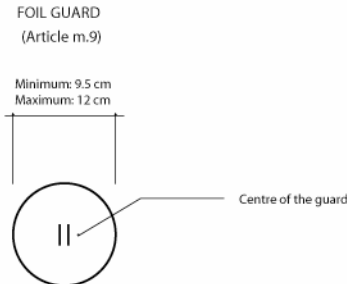
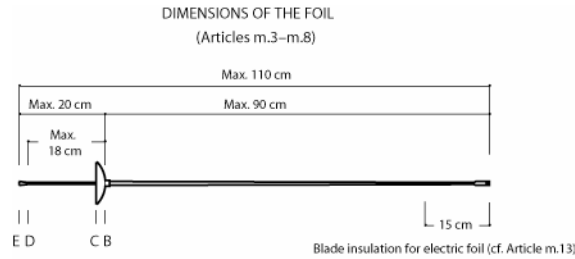
(d) The guard (cf. m.5)

m.9 The guard must be able to pass through a straight cylindrical gauge having a diameter of 12 cm and a length of 15 cm, the blade being parallel with the axis of the cylinder.

Eccentric mounting is forbidden, that is to say that the blade must pass through the center of the guard. The diameter of the guard must be between 9.5 cm and 12 cm

(e) Electric wire

m.10 The foil has a single wire, glued in a groove cut the whole length of the blade, which permanently connects the pointe d'arrêt to the corresponding socket inside the guard..



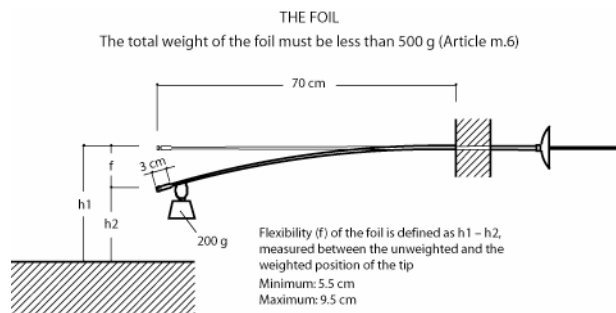


Figure 8. Foil dimensions and flexibility

(f) Pointe d'arrêt

- m.11**
1. The diameter of the pointe d'arrêt is between 5.5 mm and 7 mm; the diameter of the body of the barrel including its exterior insulation must not be more than 0.3 mm less than that of the pointe d'arrêt.
 2. The pointe d'arrêt must be cylindrical; its front surface is flat and perpendicular to its axis.
Its edge will either be rounded with a radius of 0.5 mm or have a chamfer of 0.5 mm at 45°.
 3. The pressure required on the pointe d'arrêt, in order to break the contact and cause the apparatus to register a touch, must be more than 500 g, that is to say that this weight must be lifted by the spring of the point. The weight of 500 g supplied by the Organizing Committee may have a tolerance of ± 2 g, i.e. 498–502 g.
 4. The course or stroke of the pointe d'arrêt required to cause the electrical apparatus to register a touch, called the *lighting stroke*, may be infinitesimal: the total stroke of the pointe d'arrêt must not be greater than 1 mm.
 5. The pointe d'arrêt must be retained in the barrel in at least two places equidistant from each other, or by any other method which has been approved by the SEMI Committee of the FIE.
 6. When not depressed the pointe d'arrêt is in contact with the main body of the foil. When a touch is made, this contact must be broken.

(g) Method of affixing the barrel

- m.12** If the base of the barrel is not made in one piece with the blade, or if it does not permit the flattened piece at the tip of the blade to be retained, it must be screwed onto the end of the blade, which must be cut and threaded for this purpose under the following conditions.
1. Normally, only fixing by metal to metal is allowed. However, fixing by any insulating material of great mechanical strength may be authorized after approval by the SEMI Committee of the FIE.
 2. All methods of soldering or brazing or in general any heating which may affect the temper of the blade are forbidden. Only solder of very easily melted tin, used with a soldering iron, to prevent the tip from coming loose, is authorized.
 3. The end of the blade before cutting the thread must not have a diameter at any point of less than 3.5 mm, and this without anything being wrapped round it, a process which is strictly forbidden.
 4. The diameter of the core of the thread must not be less than 2.7 mm (thread SI 3.5 0.60). The threading must be very tight.
The part of the blade on which the barrel is fixed should be of a length of 7–8 mm entirely covered by the barrel. It is recommended that only the half of this length at the extremity of the blade be threaded. For the other half the barrel will have a

smooth surface of 3.5 mm diameter into which it should take some force for the corresponding part of the blade to be introduced.

5. When a barrel made of light alloy is used, instructions should be sought from the SEMI Committee of the FIE.
6. At the point at which the wire passes into the barrel, the width of the groove must not exceed 0.5 mm, and its depth must not exceed 0.6 mm measured on the diameter of the core of the thread, in order to weaken as little as possible the section of the blade.
7. Only the members of the SEMI Committee of the FIE or the Directoire Technique can require the verification of the above points.

(h) The insulation of the barrel, the blade and the grip

- m.13** The body of the barrel and the foil blade for a length of 15 cm from the barrel, as well as the pommel or the rear extremity of the handle, must be entirely covered with insulating material (insulating tape, gummed paper, Sellotape, plastic material or varnish).

The flange of the sleeve which slides in the base of the point and within which is fixed the pointe d'arrêt must be of a smaller diameter than the insulated head of the pointe d'arrêt itself, to obviate an accidental contact being made with the conductive jacket when a touch is made.

3. EPEE

(a) Weight

- m.14** The total weight of the épée ready for use is less than 770 g.

(b) Length

- m.15** The total maximum length of the épée is 110 cm.

(c) The blade

- m.16** The blade, which is triangular in section without cutting edges, is made of steel and must comply with the safety standards described in Appendix A to the Rules.

There are two methods of manufacture (see Figure 9):

- By forging a steel cylinder (see figure a)
- By folding a sheet of steel (see figure b)

It should be as straight as possible and mounted with the groove uppermost. Any curve of the blade must be uniform and the maximum bend must in any case be less than 1 cm; it is only permitted in the vertical plane and must be near the center of the blade.

The maximum length of the blade is 90 cm.

The maximum width of any of the three sides of the blade is 24 mm.

The blade should have a flexibility equivalent to a bend of 4.5 cm minimum and 7 cm maximum measured in the following way.

1. The blade is fixed horizontally at a point 70 cm from the extremity of the point.
2. A 200 g weight is suspended 3 cm from the extremity of the point.
3. The bend of the blade is measured at the extremity of the point between the non-weighted and weighted positions (see Figure 9, p. 83).

(d) The guard (cf. m.5)

m.17 The guard, which must have a circular edge, must be able to pass through a cylindrical gauge having a diameter of 13.5 cm and a length of 15 cm, the blade being parallel to the axis of the cylinder.

The depth of the guard (the distance between lines B and C) must be between 3 cm and 5.5 cm (cf. m.3).

The total length between lines A and C must never be greater than 95.5 cm (cf. m.3).

Eccentric mounting is allowed provided the distance between the center of the guard and the point where the blade passes the guard does not exceed 3.5 cm.

(e) Electric wires

m.18 The épée has two electric wires, glued in a groove in the blade, which connect the point to two of the three sockets situated inside the guard and which form the active circuit of the épée. The body of the épée is connected to the third socket.

(f) Point and barrel

m.19 The electric barrel is completed by a point which must conform to the following specifications

1. The point is cylindrical. Its front surface is flat and perpendicular to its axis. Its edge will either be rounded with a radius of 0.5 mm or have a chamfer of 0.5 mm at 45° (see Figure 10, above).

The diameter of the crown of the pointe d'arrêt is 8 mm with a tolerance of ± 0.05 mm. The diameter of the base must not be less than 7.7 mm.

The flange (collar) which guides the pointe d'arrêt as well as the insulating washer must be sufficiently recessed in relation to the crown (it is recommended that it be recessed in diameter by 0.3–0.5 mm) so that it shall not be possible to cause a touch to be registered merely by sliding the depressed pointe d'arrêt against the convex surface of the guard (see Figure 11, p. 85) (cf. t.67, paragraph 2.a).

2. The pressure required on the pointe d'arrêt in order to complete the circuit in the épée, and thus cause the apparatus to register a touch, must be more than 750 g, that is to say that this weight must be lifted by the spring of the point.

3. The weight used to check competitors' épées on the strip consists of a metal cylinder drilled part of the way along its axis with a hole parallel to its sides; this hole, into which is inserted the end of the blade, must have an insulating lining to prevent its metallic parts coming into contact with the grounded mass of the épée which might then give a false result to the test.

This weight of 750 g, which is supplied by the Organizing Committee, may have a tolerance of ± 3 g, i.e. 747–753 g.

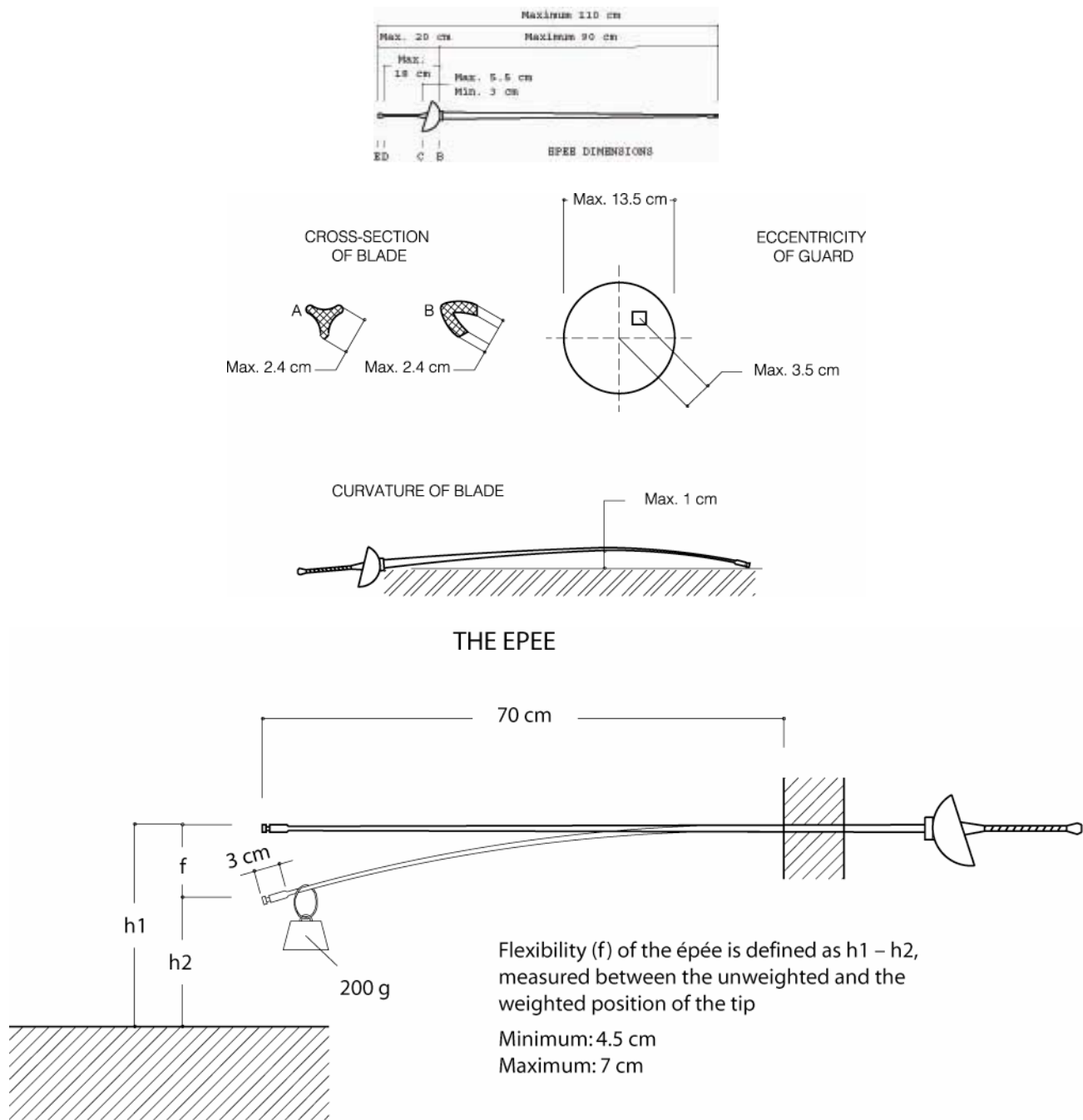


Figure 9. Epee dimensions and flexibility

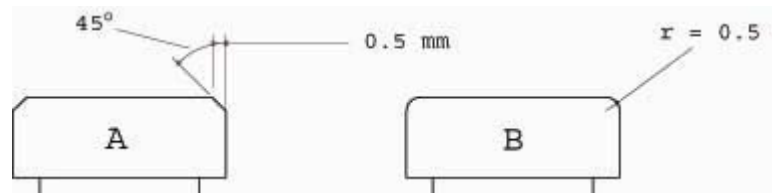


Figure 10. Epee design of point

4. The course or stroke of the pointe d'arrêt required to complete the circuit in the épée and thus cause the apparatus to register a touch, called the *lighting stroke*, must be greater than 1 mm. The further course which the pointe d'arrêt may travel must be less than 0.5 mm. (This requirement is just as essential as that for the lighting stroke.)

To enable a check to be made on the strip, the total course or stroke of the point must be greater than 1.5 mm (cf. t.43).

Adjusting the lighting stroke by means of screws or any other external fixing device, once the point has been assembled on the weapon, is forbidden.

An external screw or similar fixing device is only allowed if it is actually part of the assembling of the point

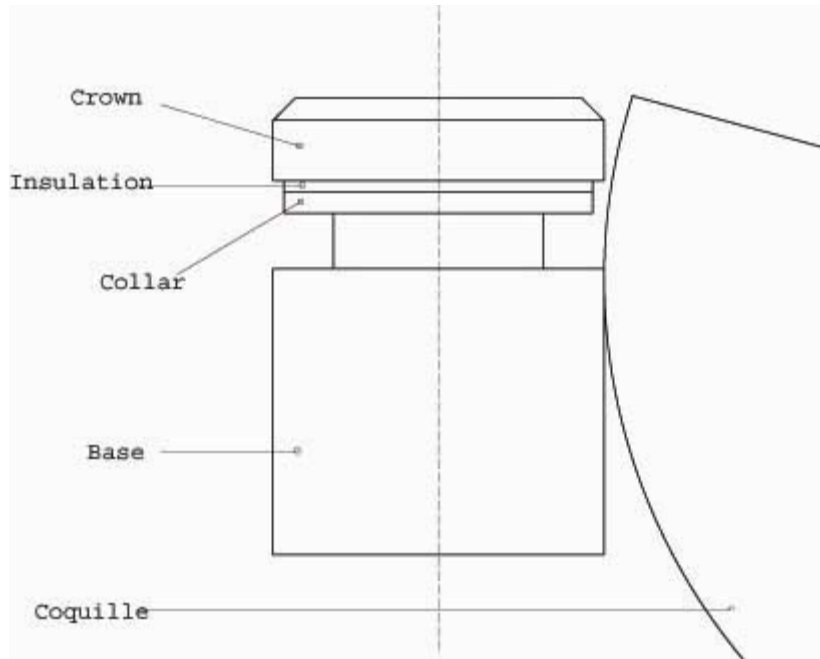


Figure 11. Epee details of tip and point

The head of the screw or fixing device must never project beyond the flat top surface of the point and its housing in the flat surface may not exceed 2 mm in diameter.

5. The pointe d'arrêt must be retained in the barrel at at least two points equally spaced, or by any other system approved by the SEMI Committee of the FIE.
6. When there is a touch, the electrical contact must be established.

(g) Method of affixing the barrel

m.20 If the base of the barrel is not made in one piece with the blade, or if it does not permit the flattened inset piece at the tip of the blade to be retained, the barrel must be screwed onto the end of the blade, which must be cut and threaded for this purpose under the following conditions.

1. Normally, only fixing by metal to metal is allowed. However, fixing by any insulating material of great mechanical strength may be authorized after approval by the SEMI Committee of the FIE.
2. Only solder of very easily melted tin, used with a soldering iron, to prevent the tip from coming loose, is authorized.
3. The end of the blade, before cutting the thread, must not have a diameter at any point which is less than 4 mm and this without anything being wrapped round it, a process which is strictly forbidden.
4. The diameter of the core of thread at the end of the blade must not be less than 3.05 mm (thread SI 4.0 0.70).

The part of the blade on which the barrel is fixed should be of a length of 7–8 mm entirely covered by the barrel. It is

recommended that only the half of this length, at the extremity of the blade, be threaded. For the other half, the barrel will have a smooth surface of 4.0 mm diameter into which it should take some force for the corresponding part of the blade to be introduced.

5. The groove necessary to enable the wires to enter the barrel must be cut in such a way that it weakens as little as possible the section of the blade.
6. Only the members of the SEMI Committee of the FIE or the Directoire Technique can require the verification of the above points.

4. SABRE

m.21 The total maximum length of the sabre is 105 cm.

(b) Weight

m.22 The total weight of the sabre ready for use is less than 500 g.

(c) The blade (see Figure 12, p. 87)

m.23 The blade, which must be of steel, is approximately rectangular in section. The maximum length of the blade is 88 cm. The minimum width of the blade, which must be at the tip, is 4 mm; its thickness, also immediately below the tip, must be at least 1.2 mm.

The end of the blade must be folded over onto itself or be fashioned in one piece to form a tip which, viewed end on, must have a square

or rectangular section of 4 mm minimum and 6 mm maximum. The maximum dimension must be not more than 3 mm from the end of the blade.

The end of the blade may also be formed by a solid tip which must have the same section as the tip which is folded over (Figure 12, p.87).

If the blade has a curve, it must be a distinct curve which must be continuous, and the deflection must be less than 4 cm. Blades with sharply bent extremities or which curve in the direction of the cutting edge are forbidden.

The sabre blade must have a flexibility equivalent to a bend of minimum 4 cm and maximum 7 cm measured in the following way.

1. The blade is fixed horizontally at a point 70 cm from the tip of the blade.
2. A 200 g weight is hung 1 cm from the tip.
3. The curve is measured at the tip of the blade between the weighted and unweighted positions (see Figures 12 and 13)

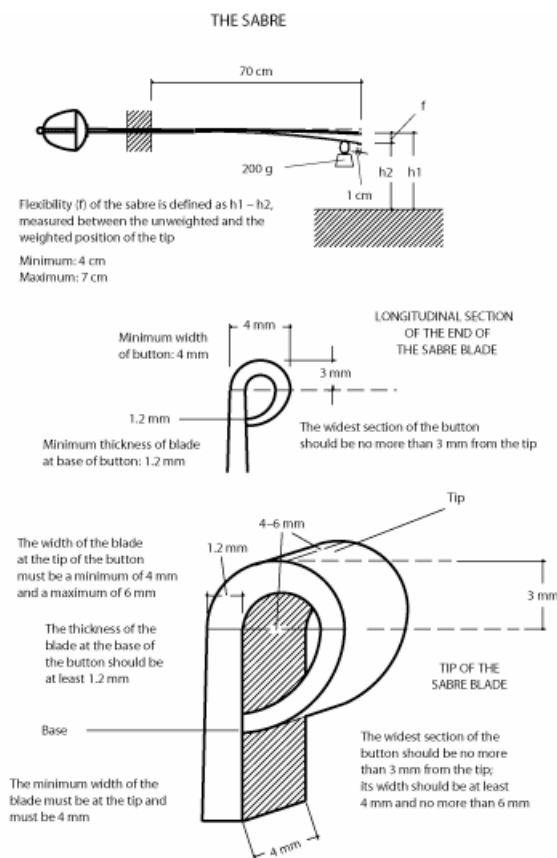


Figure 12. Saber dimensions and flexibility

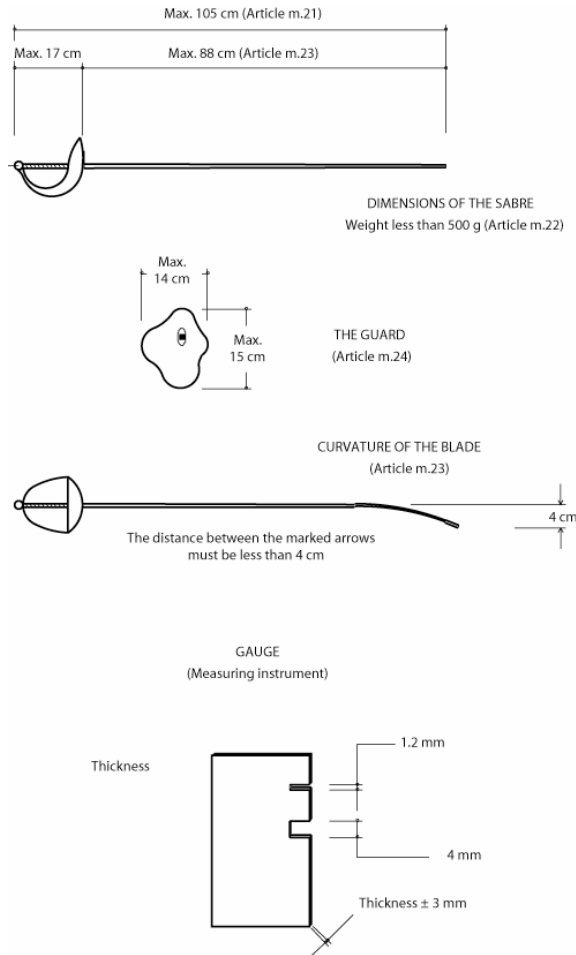


Figure 13. Saber dimensions (contd.)

(d) The guard (cf. m.5)

m.24 The guard must be full in shape, made in one piece and externally smooth. It must have a convex form which is continuous, without rim or holes.

It must be able to pass through a rectangular gauge measuring 15 cm by 14 cm in section, with a length of 15 cm, the blade being parallel with the axis of the gauge.

Inside the guard there must be a socket into which the bodycord is plugged, whatever system is used.

The two sockets of the bodycord plug must be in direct contact with the body of the guard, making a closed electrical circuit through the bodycord, the reel and the cable connecting the reel to the scoring apparatus.

The resistance in the weapon must not exceed 1 ohm.

The interior of the guard must be completely insulated by means of insulating paint or a pad.

The exterior of the guard must be insulated for 7–8 cm from the pommel.

The grip and the pommel must be completely insulated.

CHAPTER 2. EQUIPMENT AND CLOTHING

1. GENERAL CONDITIONS

m.25 The national clothing includes the socks, the breeches, the jacket, and the conductive jacket in foil and saber. (Cf. m.28, m.34).

1. *Protection.* The equipment and clothing must provide the competitor with the maximum protection compatible with the freedom of movement necessary for fencing.
2. *Safety.* It must not be possible for the opponent to be obstructed or injured by the equipment, nor for the opponent's weapon to be caught up in or deflected by the equipment which, in consequence, must have neither buckles nor openings in which the opponent's point may be caught up — except accidentally — and thus held or deflected. The jacket and its collar must be completely buttoned or done up.
3. *Characteristics of the clothing.* Fencers' clothing must be made of sufficiently robust material and be clean and in good condition.

The material from which the equipment is made must not have a surface which is smooth enough to cause the point or the opponent's touch to glance off (cf. m.30).

Clothing must be made entirely in cloth able to resist a pressure of 800 Newtons. Very particular attention must be paid to the way the seams under the armpits, if there are any, are made. An under-

garment consisting of a protective under-plastron covering the vital upper areas of the body (following the design given in Appendix A to these Rules, 'Safety norms for manufacturers') resistant to 800 Newtons is also mandatory.

Fencers' clothing may be of different colors, apart from black.

Note: At USFA local, divisional, and sectional competitions, there are no restrictions on colors or decorations on uniforms, providing that the uniforms still comply with all other requirements.

National clothing shall be unique.

Logos worn on the national clothing must be approved by the FIE Executive Committee at least 30 days before it is used for the first time in an official FIE competition; they are then published on the FIE Website.

The designs of national colors (logos) are compulsory and must be identical on both legs of the athletes, optional on the arm(s), for the following events:

- i) World Championships and World Junior and Cadet Championships, every bout, in the pools, in the direct elimination and in team matches;
- ii) Individual senior World Cup competitions, all direct elimination bouts from the 64 onwards;
- iii) World Cup team competitions, all bouts in every match.

They must be identical for all the fencers of a same Federation for the above competitions i and iii.

The name of the fencer must be displayed on the back of the jacket with the abbreviation of the national federation below it, at the level of the shoulder blades. They must be printed directly on the jacket or on a cloth carefully sewn on the jacket. The letters must be in dark blue, in capitals, between 8 cm and 10 cm high, and between 1 cm and 1,5 cm wide, according to the length of the name.

4. **Jacket.** At all weapons, for men and women, the lower edge of the jacket must overlap the knickers by at least 10 cm when the fencer is in the on-guard position (cf. m.28, m.34).

The jacket must include a lining making a double thickness of material for the sleeve down to the elbow of the sword arm and covering the flank up to the region of the armpit. At *épée* the fencer is required to wear a regulation jacket, which must cover the whole of the surface of the trunk.

The use of breast/chest protectors (made of metal or some rigid material) is compulsory for women and optional for men. In foil, this breast/chest protector must be worn inside the jacket.

5. **Knickers.** The knickers must be fastened below the knees.

With knickers, the fencer must wear socks which cover the legs right up to the knickers. These socks must be held up in such a way that they cannot fall down. The fencer is permitted to

wear socks with a turn-over showing the colors of his national team 10 cm high.

6. **Glove.** At all weapons, the gauntlet of the glove must, in all circumstances, fully cover approximately half the forearm of the competitor's sword arm to prevent the opponent's blade entering the sleeve of the jacket.

7. **Mask.** The mask must be made with meshes (space between the wires) of maximum 2.1 mm and from wires with a minimum gauge of 1 mm diameter.

Masks, at all weapons, must be made in accordance with the safety standards described in Appendix A to these Rules and must carry the quality label specified in those standards.

When the checks are carried out the person responsible for them may, if in doubt, ensure that the mesh of the mask, both at the front and at the sides, is able to withstand, without permanent deformation, the introduction into the mesh of a conical instrument, the angle of the surface of the cone being at 4° to the axis and at a pressure of 12 kg.

A mask which does not comply with the safety requirements laid down in this article will be rendered visibly unusable by the weapon checking personnel or the Referee in the presence of the person who presented the mask to the weapon check or the team captain of the fencer concerned.

The bib of the mask must be made with cloth resistant to 1600 Newtons. The mask must include a safety strap at the rear.

Note: An FIE homologated mask is not required for USFA competition, provided it conforms to the specifications described in Appendix A, with the exception that the bib needs to be resistant to 700 Newtons.

2. RULES SPECIFIC TO FOIL

(a) Glove (cf. m.25)

m.26 The glove may be slightly padded.

(b) Mask (cf. m.25)

m.27 The mesh of the mask must not extend below the chin. It must be insulated internally and externally by a plastic material resistant to impact.

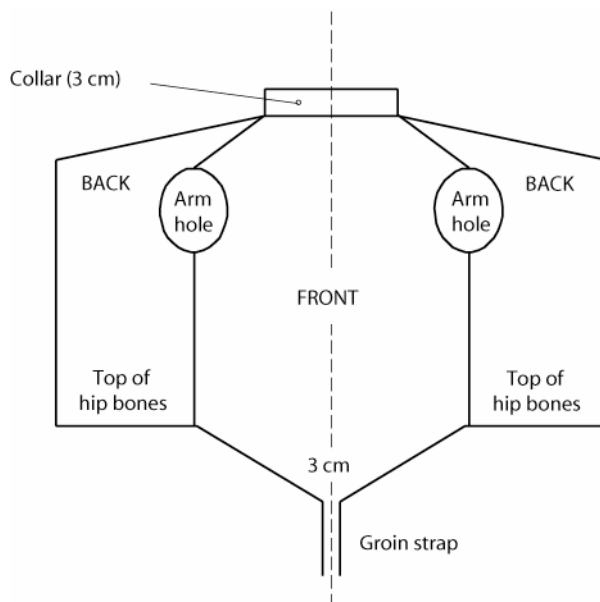


Figure 14. Foil: conductive jacket

(c) Conductive jacket (over-jacket or plastron)

m.28 The conductive surface of the conductive over-jacket which is worn over the protective jacket must cover the valid target of the fencer (cf. t.47) entirely and without omission when standing upright, when in the on-guard position and when lunging.

Whatever the means of fastening used, the conductive material must cover a sufficient area to ensure that it covers the valid target in all positions of the fencer. The overlap must always be on the sword-arm side.

The interior of conductive jackets must be electrically insulated by a lining or by an adequate treatment of the conductive lamé material.

The conductive collar must have a minimum height of 3 cm.

The lamé material used must be of conductive thread in both warp and weft. As regards electrical conductivity it must conform to the following requirements.

- (a) The electrical resistance measured between any two points of the lamé material must not be greater than 5 ohms. The resistance will be measured by using a 500 g copper or brass weight which has a hemispherical end with a radius of 4 mm. This weight, placed on this end and moved about on the lamé, must maintain continuous contact with a maximum resistance of 5 ohms.
- (b) In no circumstances must the use of a conductive jacket be allowed if it has holes in it, or patches of oxidation or other defects which may prevent the registration of a valid touch.
- (c) A conductive jacket which is considered to be unusable will be so marked with a very visible colored paint by an authorized armorer.

The conductive jacket must be so made that when it is laid flat there is a straight line between the point of junction of the lines of the groin and the two points corresponding to the tops of the hip bones (ilium).

The band of non-conductive material passing between the legs must be at least 3 cm wide (see Figure 14, above).

(d) Bodycord and attachment plugs

m.29 The conductive wires of the bodycord (the fencers' personal equipment) must be well insulated electrically from each other, twisted or joined together, and not affected by humidity. This bodycord has a connecting plug at each end. The electrical resistance

of each of these conductive wires (plug to plug and plug to crocodile clip) must not exceed 1 ohm.

At the reel end the three-pin male plug, which must comply with the conditions of manufacture and assembly laid down in Article m.55, will be attached to the wires in the following manner:

- the pin at 15 mm from the center pin to the conductive jacket;
- the central pin to the wire in the weapon;
- the pin at 20 mm from the center pin to the foil ground circuit or the conductive strip.

The wire which joins the rear connection of the bodycord to the conductive jacket by a crocodile clip must be separate for at least 40 cm. This wire must be soldered to the crocodile clip and this soldering must not be covered by any insulation or any material whatsoever. However, any method of fixing which presents the same guarantees as soldering may be used, provided it has been accepted by the SEMI Committee.

The crocodile clip must be robust and ensure perfect contact with the conductive jacket. Its width at the point of contact must be at least 10 mm; the inside of the clip must leave a free space at least 8 mm long by 3 mm high. It must be clipped onto the back of the conductive jacket on the sword-arm side.

At the end nearest the foil, inside the guard, any method of attachment is allowed but the method adopted must always conform to the specification laid down in Article m.5.

In addition, the pins of the plug must in no circumstances be able to touch the metal part of the guard.

The wire from the point will be protected by an insulated sheath from the place where it enters the guard right up to the insulated connection on the plug socket. Under no circumstances may the non-insulated wire extend beyond this insulated plug connection (cf. m.5, m.9).

3. RULES SPECIFIC TO EPEE

(a) Mask

m.30 The mask must not be covered, in whole or in part, by material which can cause the point to glance off (cf. m.25).

The mask must be so shaped that the bib reaches below the prominences of the collar bones (clavicles).

(b) Bodycord

m.31 The conductive wires of the bodycord (the fencers' personal equipment) must be well insulated from each other, insensitive to humidity, and either joined or twisted together. The maximum electrical resistance allowed for each of these conductive wires from plug to plug is 1 ohm.

The bodycord has a connecting plug at each end. At the reel end, a three-pin male plug is connected to the wire as follows:

- the pin 15 mm from the center pin to whichever wire is most directly connected to the pointe d'arrêt;
- the center pin to the other wire on the épée;
- the pin 20 mm from the center pin to the épée's ground circuit and to the conductive strip.

This plug must conform to the conditions of manufacture and mounting specified in Article m.55.

Inside the guard the choice of system is free but the system chosen must comply with the conditions of Article m.5.

In addition, the pins of the plug must not on any account permit contact with the metal of the guard.

The two wires coming from the tip must be protected by two insulating sheaths, one for each wire, from the point where they enter the guard right up to the two insulated connections on the plug socket. In no case may uninsulated wires extend beyond the plug connections (cf. m.5, m.9).

4. RULES SPECIFIC TO SABRE

(a) Mask

m.32 The metal mesh of the mask must not be insulated and must ensure electrical conductivity.

The bib and any trim must be entirely covered with conductive material with the same electrical characteristics as the conductive jacket.

The trim may also be made of conductive material.

The electrical resistance between the crocodile clip and any point on the mask must be less than 5 ohms.

The electrical contact between the conductive jacket and the mask must be ensured by means of a wire and one or two crocodile clips. The wire must be attached, either by means of a crocodile clip or by being soldered, to the mesh of the mask, and must be between 30 cm and 40 cm long. The crocodile clip, the design and size of which must conform with the conditions laid down in Article m.29, must be soldered to the other end of the wire.

(b) Glove

m.33 The conductive material, which may be removable or fixed, of the regulation glove of the fencer's sword arm must cover all the sleeve down to below the external cubital styloid (small prominent bone of the wrist), both when the fencer is in the 'on-guard' position and when the sword arm is straight.

The conductive material must be turned over into the inside of the gauntlet to a depth of at least 5 cm.

In order to guarantee a good contact with the sleeve of the conductive jacket, it is necessary to use an elastic band, a popper button or any system which will guarantee conductivity and which has been approved by the SEMI Committee.

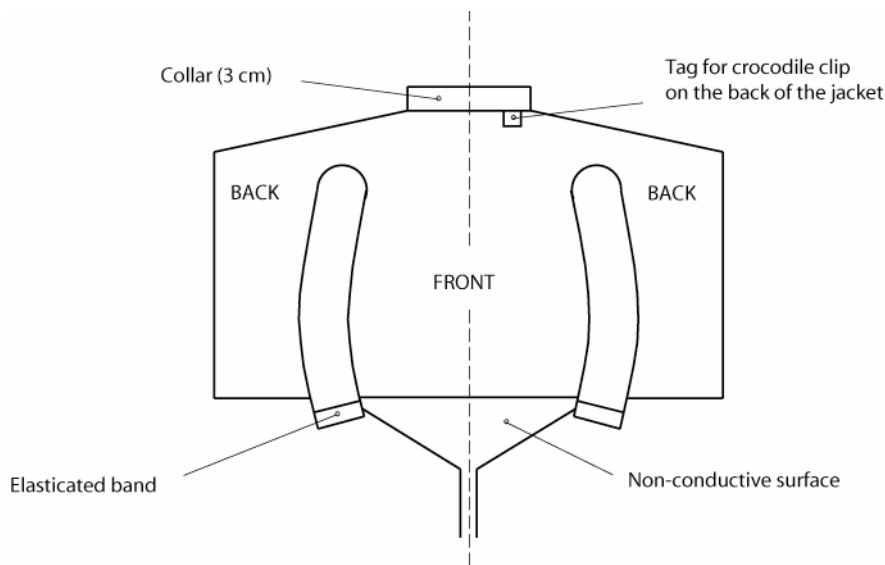


Figure 15. Electric saber conductive jacket

(c) Conductive jacket

m.34 The fencer must wear over his jacket, a conductive jacket, the conductive surface of which must cover entirely and without omission the valid surface of the body above a horizontal line which, when the fencer is "on guard", joins, round the fencer's trunk, the upper points of the creases formed by the thighs. In wireless saber the fencer must wear a conductive t-shirt. The conductive part is made with a conductive fabric with an electrical resistance which, measured between any two points of the conductive fabric, must be less than 5 ohms.

The conductive surface must cover the arms as far as the wrists. The jacket must have a collar which is at least 3 cm high. The jacket must have a conductive flap, 2 cm x 3 cm in the middle of the back, just below the collar, to which the crocodile clip from the mask can be attached.

Whatever means of fastening is used, the conductive material must be ample enough to guarantee covering the valid target area in any position.

The conductive material (lamé) must satisfy the conditions laid down for testing (cf. m.28).

The sleeves of the conductive jacket must be fixed at the wrist by means of an elastic band. There must be a strap passing between the fencer's legs to keep the jacket in place (see Figure 15, above).

(d) Bodycord and plugs

- m.35** The fencer must use the bodycord specified for foil, plugged into the guard plug by means of any system which conforms with the conditions for manufacture and assembly laid down in Articles m.5, m.29 and m.55.

CHAPTER 3. CHECKING OF MATERIAL

1. COMPETENCE

- m.36** The checking of the electrical material used by the organizers for the World Championships (Open, Junior and Cadet) and the fencing competitions of the Olympic Games, as well as the checking of the fencers' equipment, must be supervised by the SEMI Committee.

To carry out this supervision, three members of the above-mentioned Committee must be appointed and put in charge of this work. However, when the organizing country possesses somebody competent, two members of the above Committee will be appointed.

The delegates of the Committee for Electrical Apparatus and Equipment (SEMI) have the right at any time to seize a weapon, a bodycord, a conductive jacket or any item of equipment or clothing for examination.

2. CHECKING OF FENCERS' EQUIPMENT

- m.37** In all official FIE competitions the fencers are responsible for their equipment (including weapons and clothes) at the moment they present themselves on the strip.

In particular blades, masks and clothing must all carry the label of guarantee specified in the safety standards Appended to these Rules.

The forms of checking laid down by these Rules are only intended to help organizers who must apply the Rules and fencers who must always respect these Rules. These checks can, therefore, in no way absolve any fencers who break the Rules from responsibility.

A. Presentation of equipment to the Weapon Checking Center

- m.38** Fencers are obliged to present themselves at the Weapon Checking Center, at the time advised in the timetable of each official competition of the FIE, with the equipment they intend to use during the event referred to. The number of articles handed to the Checking Center is limited to four weapons, two bodycords, two conductive jackets, two masks and two mask-to-jacket leads per fencer.

Each competitor must submit his weapons in a fencing bag at the Weapon Checking Center reception. An inventory of the equipment is made by an organizing official and a label is put on the bag, indicating the name of the country of the competitor. The bags are stored in the order in which they arrive, and are checked in the same order.

Provision should be made for weapons and clothing to be submitted on the morning of the day before the competition. Having been checked, the material will be returned to the delegations at the end of the day.

Weapons, equipment and clothing presented to the Checking Center after 5 p.m. on the day before each event may be refused.

Each head of delegation must indicate where he or she can be contacted should a serious fault be detected while the equipment belonging to his fencers is being checked.

If a weapon is found to be defective at the first check a form is attached indicating the fault: e.g. the length of the blade, the insulation, the spring of the point, cutting edges, etc. This form is completed at the second check. However, when a weapon is rejected, it must go through the entire cycle again.

- m.39** If material or equipment presented to the Checking Center appears to have been assembled in such a way that the fencer can control in a fraudulent manner the registering of touches or the malfunctioning of

the judging apparatus, the representative of the SEMI Committee may, after the examination of the irregular items, require a penalty against the person who submitted them.

The fencers or the team captain can only insist on the return of the equipment which has been checked one hour before the start of the event.

Any repairs to equipment rejected during the checking can be carried out in the repair workshop. Repaired equipment will, however, only be tested again after the first set of checks to fencers' equipment has been completed.

B. Checking body

- m.40** The Executive Committee of the FIE will appoint the member(s) of the SEMI Committee to be responsible for the checking of weapons, clothing and equipment of the fencers at the fencing competitions of the Olympic Games and for the World Championships.

For other official FIE competitions the Organizing Committee will appoint one or more persons to be responsible for this checking.

- m.41** The items of equipment which have been thus checked will be distinctively marked. A fencer must not, on pain of penalties (cf. t.120), use any equipment which does not bear this check mark.

C. Checking personnel and equipment

- m.42** In order to allow those carrying out the checking to fulfil their task, the organizers are required to make available the equipment (gauges, weights, scales, electrical measuring machines, etc.) and the personnel necessary to carry out the work.

The Organizing Committee must provide the FIE technical delegates responsible for checking the weapons and equipment with at least the following apparatus:

1. Two gauges allowing the lengths of blades and the depths and diameters of the guards at all weapons to be measured quickly.
2. Devices for measuring the flexibility of blades and the resistance of the mesh of masks.
3. An electrical checking device to check quickly that the electrical resistance of the point is not too high, and that the bodycord and the weapon are correctly assembled. Devices enabling these measurements to be taken easily are, in fact, commercially available.
4. Weights of 750 g and 500 g to test the springs of the points in épée and foil, in the workshop and at each strip.
5. A device allowing the lighting stroke and residual travel of épée points to be accurately measured, in the workshop and at each strip.
6. Labels to indicate that a weapon has been checked and that it satisfies the regulation, or has been rejected.
7. The organizers must provide a special stamp to be affixed to each conductive jacket to enable the referees to verify that its resistance in ohms has been checked by the technical delegates of the FIE. Nevertheless, this compulsory checking mark is not sufficient to justify the use of the jacket. In effect, it is the task of the Referee to check, before each event, that the conductive jacket, having been checked and marked, entirely covers the valid target area, and accordingly to make the final decision whether it may be used.
8. A special ink or paint must be provided to mark the guards, blades and points of weapons which have been checked. Nevertheless, those responsible may use other methods to mark the weapons and conductive jackets.

m.43 To carry out the checks properly and rapidly, 'workshop' teams of three people should be used. (At least three such workshops should be provided.)

(a) The first person checks that all the weapons are normal with respect to their dimensions by passing them through a gauge.

(b) The second does all electrical tests.

(c) The third affixes the checking marks and replaces the weapons in the fencing bag.

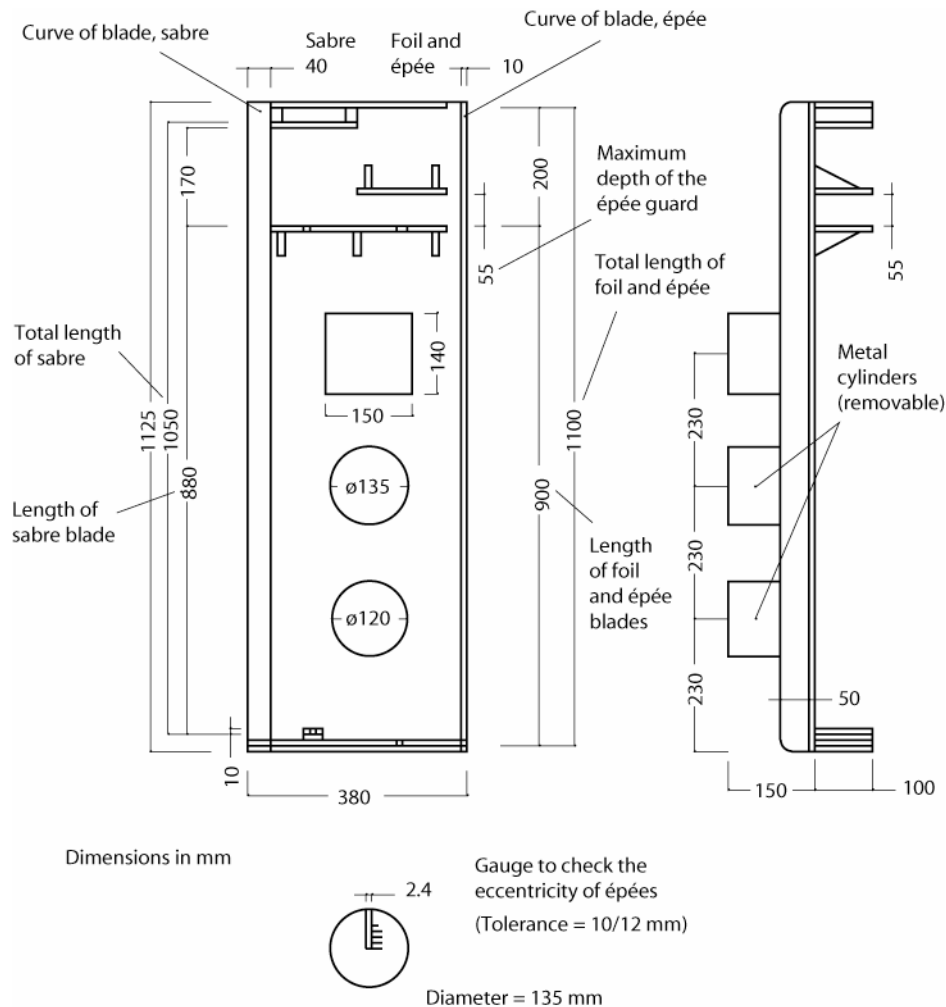


Figure 16. Gauge for checking weapons

PART 2. FITTINGS AND MATERIAL PROVIDED BY THE ORGANIZERS

Introduction

m.44 All electrical judging equipment includes, in addition to the equipment provided by the fencers themselves, the material provided by the organizers of a competition, which is:

1. The central judging apparatus, with extension lamps (cf. m.51, m.59, Appendix B);
2. The reels, with cables and connections, or cables suspended overhead (cf. m.55);
3. The conductive strip which neutralises touches made on the ground (cf. m.57);
4. The source of electrical current (accumulators) (cf. m.58);

5. For finals of official competitions of the FIE, a clock which counts down the time and which can be linked to the apparatus which controls the audible signal and the electrical registering of touches (cf. m.51, Appendix B).

CHAPTER 1. SCORING APPARATUS

1. Authorized designs

m.45 Only electrical apparatus designed with wires connecting the fencers to the central apparatus and registering touches by light signals with auxiliary sound signals are authorized: this expressly excludes apparatus based on wireless waves and those which register sound signals only.

2. Approval of designs of apparatus

m.46 Judging apparatus for use in a World Championship or an Olympic Games must have been approved by the Committee for Electrical Apparatus and Equipment (SEMI) of the FIE.

In order to obtain this approval, the apparatus which it is proposed to use must be submitted complete, with reels,

connections, etc., for an examination by the said Committee, at a place and on a date to be agreed with the Committee, at least six months before the date of the competition.

The apparatus must be accompanied by a detailed drawing showing its construction.

m.47 Approval is given for the use of the apparatus in one specific official competition only. The SEMI Committee is willing, as far as it is able, and without charge, to examine prototypes of apparatus submitted by constructors even if the use of such apparatus is not envisaged for an imminent official competition.

m.48 Approval is given for only one established design of apparatus which conforms to the drawing submitted, and is not given as a general approval for all the products made by any manufacturer. The latter may state in their publicity only the fact that the design of apparatus which they offer for sale has been used at a specific official competition (if this in fact is the case); but they themselves must guarantee that the apparatus conforms to the design for which approval was given.

Every approved apparatus must carry, on its base, a metallic plate identifying its specific characteristics: manufacturer, year of manufacture, model, technical information, etc.

m.49 The approval of an apparatus by the SEMI Committee as well as its acceptance implies no guarantee against possible faults of construction, or against its use with a source of electrical current other than accumulators (cf. m.58).

m.50 All expenses incurred by the SEMI Committee for the examination of apparatus are the responsibility of the persons submitting the apparatus.

3. Specifications for all electrical equipment (cf. Appendix B)

- m.51**
1. A touch made on the conductive strip or on the metallic parts of the weapon must not be registered by the apparatus, nor may it prevent the registering of a touch made simultaneously by the opponent. In foil a touch made on a part of the foil may not register if an uninsulated part of the weapon of the fencer is in contact with his conductive jacket.
 2. The apparatus must not have any device whereby anyone other than the person detailed to supervise it can interrupt its working during a bout.
 3. Touches are registered by visual signals. The signal lamps must be placed on the top of the apparatus, in order that they may be visible to the Referee, the competitors and the superintendent of the apparatus. They must be so positioned that they show clearly from which side the touch was made. Arrangements must be made so that extension lamps can be added to the exterior of the apparatus, in order to increase the visibility of the signals.
 4. Once the signal lamps are alight, they must so remain until the apparatus is reset, without their having any tendency to go out or flicker either when subsequent touches are made or if the apparatus is subjected to vibrations.
 5. The visual signals must be accompanied by audible signals (cf. Appendix B).
 6. The resetting switches must be placed either on top of or on the front part of the apparatus.
 7. For official competitions of the FIE, the source of power must always be batteries. The wiring of the box to be powered in this way must be designed so that it is impossible for the box to become connected by mistake to the mains supply.

All fencing salles, clubs, etc., and the organizers of training sessions or competitions involving weapons using electrical equipment, may use the current supplied by the mains on

condition that they adhere strictly to the technical standards laid down on the subject by their countries and international communities.

8. If the clock is not incorporated in the electrical judging apparatus, the apparatus must have a system for linking in an external clock. This clock must be powered by electricity from a 12 volt battery. A disconnection of the wiring which links the clock to the apparatus must cause, simultaneously, the blocking of the apparatus which registers touches, in a manner which preserves what it has registered up to that point, and the stopping of the clock.

To allow the apparatus to be used when it is not connected to the clock, there must be a switch in the interior of the apparatus which can change its operating mode (cf. t.32, m.44).

9. For the finals of official competitions of the FIE, the clock must be equipped with a system which connects it to some external extension clocks displaying large luminous numbers, and with another system for the connection of the audible signal. These two connection systems must be separated from the circuits situated inside the central judging apparatus by means of octo-couplers (cf. t.32, m.44).

10. When the cable connecting the audible-signal apparatus to the clock is disconnected, the audible-signal apparatus must emit a sound of between 80 and 100 decibels (measured at the center line of the strip) lasting between 2 and 3 seconds, but the central judging apparatus must not be blocked and the clock must not be stopped (cf. t.32, m.44, m.51/9).

4. Number and quality of judging apparatus

- m.52** For official FIE competitions, the organizing committee must provide a minimum number of electrical judging apparatus equal to the number of strips plus at least two spare apparatus. All the apparatus must be in perfect working order, and of a type approved for the World Championships.

As soon as a member federation is selected to organize an official FIE competition, it would do well to contact the President of the SEMI Committee immediately in order to obtain the names of manufacturers whose electrical apparatus is accepted by the Committee. The Organizing Committee usually prefers combined apparatus, which can be used for all three weapons. The Organizing Committee must choose a manufacturer who will provide good quality equipment for the smooth technical running of competitions; this equipment must be approved by the SEMI Committee.

For official FIE competitions, it is compulsory that the apparatus be powered by batteries without any connection to the main electrical supply.

5. Checking of apparatus

- m.53** Having chosen the manufacturer with which it wants to deal, the Organizing Committee immediately advises the President of the SEMI Committee of the FIE who in turn contacts this firm to obtain, as soon as possible, a prototype of the desired model.

The report on the checking of the apparatus is always returned to the manufacturer by the President of the Committee within one month of the apparatus being received.

There are then two possibilities:

- (a) The proposed apparatus is accepted by the Committee, in which case the other apparatus can be manufactured like the prototype.
- (b) The apparatus does not conform to the requirements, in which case it must be modified and re-submitted to the Committee for a new examination.

When all the apparatus are ready and before they are sent out, the President of the SEMI Committee must be notified, so that he can document the checking of the apparatus before they leave the factory. Each apparatus comes with a test report giving the different specifications concerning the registering time in milliseconds and the resistance in ohms of the external circuits before registering a non-valid touch.

The person in charge of verification ticks off every apparatus and makes a note of its number.

m.54 Before every World Championship or Olympic Games, a delegate of the SEMI Committee must check the proper working of the apparatus to be used and that they conform to the type registered. This is independent of the registration of the type of apparatus mentioned above (cf. m.52).

The apparatus must be made available to this delegate at least 48 hours before the beginning of the competition.

CHAPTER 2. REELS, CABLES AND THEIR CONNECTIONS

- m.55** 1. The maximum electrical resistance of each wire of the reel, measured from socket to socket, must be 3 ohms.
2. There must be no interruption of electrical contact even when the reel is being rotated at full speed. To ensure this the contact rings must have double brushes. The wire connected to the blade of the weapon will be connected to the frame of the reel.
3. The reels must allow 20 m of cable to be unwound without straining the springs.
4. The socket which terminates the reel cable, and is designed to receive the plug of the bodycord at the fencer's back, must include a safety device which fulfils the following requirements:
- that it is impossible to use it unless the plug is correctly put in;
 - that it is impossible for it to become separated during the bout;
 - that it is possible for the competitor to verify that the two foregoing requirements are satisfied.
5. The resistance of each of the three wires in the connecting cables must not exceed 2.5 ohms.
6. The plugs used to connect the bodycord to the reel wire and the connecting cables to the reels and to the apparatus must have three pins of 4 mm diameter arranged in a straight line. The external pins must be spaced 15 and 20 mm respectively from the center pin. The bodycord and the connecting cables have plugs, the reel wires and the central electrical apparatus have sockets to them.
7. The use of suspended cables instead of reels is permitted, provided that the conditions already mentioned are satisfied.

m.56 The organizers must ensure that the reels have cables of at least 20 m in length so that they do not get ripped out in the event of a flèche made at the end of the strip.

It is desirable for the reels to be placed close to the strips, but outside them so that fencers do not trip over them.

The cables connecting the reels to the apparatus should be of the three core type and be covered with rubber or plastic to protect them from humidity and blows.

Conductive strips should be grounded through the center of the strip.

Those in charge of checking equipment during competitions must have a simple and practical device at their disposal to allow them to check quickly that there are no breaks or short-circuits in the three wires of the reels.

CHAPTER 3. CONDUCTIVE STRIPS

- m.57** 1. The conductive strip must be made from metal, metallic mesh or some substance with a base that is conductive. The resistance of the strip, from one end to the other, must not exceed 5 ohms.
2. The conductive strip must cover the whole of the length and breadth of the strip including its extensions, in order to neutralize floor touches.
3. When the strip is mounted on a platform the conductive surface must cover the whole width of the platform.
The platform must not exceed 50 cm in height, and must be wider than the fencing strip itself by at least 25 cm on each side. Each end of the podium must be equipped with a gentle slope right down to ground level.
4. Because the amount of wire which the reels can carry is limited, the conductive strip is designed for use on a strip 14 m long; an extension of 1.50–2 m is added at each end of the strip to allow the fencer crossing the rear limits of the strip to retire on an even and unvarying surface. The conductive strip must therefore have a length of 17–18 m.
5. It is preferable to lay the conductive strip on a wooden base with some flexible material between. It must be provided with some device which enables it to be kept well stretched.
The wooden bases are 12–15 cm above ground level. Their sides must not be sloping.
It is preferable to have a metal strip, screwed down if possible, which will keep down the edges of the conductive strip along the entire length of the base on both sides.
6. The paint used to draw the lines on the conductive strip must not prevent its electrical conductivity, so that a touch made on it at a point where a line occurs is also neutralized.
7. The organizers must have equipment for the immediate repair of the strip available on the spot.
8. There must be no roller or any sort of obstacle at the ends of the conductive strips which could prevent the fencers from retreating normally.
9. Strips made of metallic mesh must never be placed directly on a floor of reinforced concrete or tiles.

CHAPTER 4. SOURCE OF ELECTRICAL CURRENT

- m.58** 1. The apparatus must be based on a 12 volt supply ($\pm 5\%$) or, if the sources of current for each side of the apparatus are separate, on 2 x 12 volts or 2 x 6 volts. (The separation of the supply for each side of the apparatus is recommended because it can simplify a number of problems met in the construction of apparatus for foil.)
2. The apparatus may include warning lights to indicate that the foils are under tension. Such lights should be colorless.
3. If the apparatus is constructed to operate with dry batteries, it must be equipped with a voltmeter or some other device enabling the power in the batteries to be checked at any moment. However, the apparatus must always be equipped with a socket, as described above, to allow them to be powered by accumulators.
4. Generally, there should be two batteries available per apparatus: 12 volt car batteries are used, of 60 or 90 amps/hour.

CHAPTER 5. EXTENSION LAMPS

m.59 Extension lamps outside the apparatus are obligatory for the official competitions of the FIE. The lamps should be placed at a minimum of 1.80 m above the strip. (When the fencers fence on a 0.50 m high podium, the extension lamps must be 2.30 m above ground.) The extension lamps signalling valid touches are colored, one red, the other green, and they should if possible be of 150 watts.

The white lights indicating non-valid touches may be of only 75 watts. The two lamps of the same group must not be further apart than 15 cm and each group must be at least 50 cm from the other.

The white and colored extension lamps must be arranged on either side of the apparatus, either horizontally or vertically, and must be visible from all directions (cf. Appendix B, paragraph A.1.(a).2).

Lamps recording the number of touches scored may not be located alongside the extension lamps.

m.60 The exterior lamps of high intensity may be connected to the main electrical supply, but in this case the signals of the recording apparatus have to be separated from the circuits of these lamps by phototransistors or by opto-couplers.

Visual indicators recording the number of touches given by each fencer by means of numbers on the extension lamps are obligatory. These illuminated indicators may operate direct from the main electrical supply.

For World Championship and Grand Prix finals and Masters, it is obligatory to make use of a display board of the type shown in the drawing in Appendix C, providing instantaneous information on the fencers' names, the score, the time and other matters necessary for a good understanding of the bout.

This score-board must, if possible, be used for A Grade finals as well.

APPENDIX A TO THE MATERIAL RULES

Manufacturers' Safety Standards for Fencers' Weapons, Equipment and Clothing

WEAPONS

1. BLADES

SPECIFICATION FOR THE MANUFACTURE OF FENCING BLADES

1. Purpose

This specification refers to the steel that may be used for the construction of blades for fencing, its quality, its manufacturing process, the controls and tests to be conducted.

2. General conditions

The steel used for the manufacture of fencing blades must have the ability to withstand high levels of exertion, a high degree of resistance to breaking and a low susceptibility to corrosion.

3. Characteristics of the material

The structure of the steel, after treatment and manufacturing processing to obtain the finished product, must be smooth and homogeneous.

Faults in the interior or on the surface of the finished product itself are not permitted.

Having definitively established the type of steel being used, the appropriate heat treatments are compulsory.

3.1. Mechanical characteristics

The mechanical characteristics of the steel, after heat treatment, must conform to the requirements in Table I.

Table I. Mechanical characteristics of steel

Rp 0.2 N/mm ²	Rm N/mm ²	A %	Z %	KCU Joule/cm ²	KIC Mpay m	HV
≥ 1900	≥ 2000	≥ 7	≥ 35	≥ 30	≥ 120	≥ 500

3.2. Chemical analysis

The allowable limits of the composition of the different elements and impurities for the different types of steel are listed in Table II.

Table II. Chemical composition (in percentage terms)

Element	Type of steel		
	GMG	*	*
C	- 0.03		
S	- 0.0005		
P	- 0.005		
Si	- 0.10		
Mn	- 0.10		
Cr	- 0.50		
Ni	18 ⇒ 20		
Mo	4 ⇒ 5		
Cu	- 0.30		
Sn	- 0.005		

Al	0.05 ⇒ 0
B	- 0.003
Co	8 ⇒ 13
Ti	0.5 ⇒ 2.0
Ca	0.005
Zr	- 0.02

* Types of steel still the subject of experiment must be included in this table, as they must conform to the characteristics detailed in point 3.1 of the specification.

The FIE has accepted the use of non-Maraging steel of the following types for the manufacture of épée blades:

— 45Si7, 45Si Cr Mo, 45 XH2 MFA.

Blades made with these steels must, obviously, comply with the cycles of resistance to fatigue established by the SEMI.

3.3. Manufacturing process

The products must be subjected to a manufacturing process corresponding to those indicated for the different types of steel in Table III.

Table III. Manufacturing process

Type of steel	Process
GMG	1. Forging at temperatures between 1150°C and 950°C 2. Air-cooling with the blades spaced apart 3. Mechanical machining (removal of extra thickness by reworking)
*	4. Homogenisation at 950°C – 10°C for 1 hour 5. Immersion heat treatment at 820°C – 10°C for 1 hour 6. Air-cooling with the blades separated 7. Ageing at 480°C for 9 hours 8. Air-cooling with the blades separated 9. Tempering
*	

* Types of steel still the subject of experiment must be included in this table, as they must conform to the characteristics detailed in point 3.1 of the specification.

4. Tests and examinations (material)

The tests and examinations to which the steel must be subjected are as follows:

- Chemical analysis
- Traction test
- Ductility tests
- Fracture resistance tests

4.1. Chemical analysis

The sample must have a minimum mass of 50 g. The chemical composition in percentage terms must conform to that laid down in Table II for the corresponding type of steel.

4.2. Traction test

The test must be conducted on a test sample of circular section whose dimensions are indicated at the end of this Appendix (Figure A.8), taken from materials that have been subjected to the same heat treatment as specified for materials for the manufacture of the blades.

The tensile strength values must conform to those laid down in Table I.

4.3. Tensile test

The test must be conducted on a test sample with a groove in the form of a V, whose dimensions are indicated at the end of this Appendix (Figure A.8), taken in the longitudinal direction from materials that have been subjected to the same heat

treatment as specified for materials for the manufacture of the blades.

The value must conform to that laid down in Table I.

4.4. Test of fracture toughness, KIC

The KIC value of the steel must be measured by traction on a CT sample which has the dimensions indicated at the end of this Appendix (Table VIII), made from materials subjected to the same thermal treatment as required for the blades, notched mechanically initiating a fatigue crack at the apex of the notch. The test must be conducted according to the methods indicated by the standard ASTM E 399. The value must conform to that laid down in Table I.

In cases where it is not possible to obtain a CT sample, the factor of increasing levels of dynamic loading (KId) may be determined instead of the KIC value.

The test must be conducted on ductility samples with a groove in the form of a 'Charpy V', with dimensions as indicated at the end of this Appendix (Table VIII).

The results must conform to the reference standards.

5. Characteristics of the finished product

5.1. Shape

The blades, classified according to the type of weapon, must have the shapes indicated in Appendix A and satisfy the conditions established by the FIE Rules.

5.2. Surface defects

The blades must be free of surface faults which could compromise their use (folds in lamination, cracks, splinters, decarbonization).

5.3. Surface roughness

At the conclusion of their manufacturing process the blades must be subjected to finishing, to ensure a surface finish of - 0.1 mm. The grinding marks must only extend in the longitudinal direction of the blade.

6. Tests and examinations (finished product)

The tests and examinations to which the steel must be subjected are as follows:

- Chemical analysis
- Traction test
- Ductility test
- Test of fracture toughness, KId
- Hardness test
- Microscopic examination of the structure
- Corrosion test
- Non-destructive control
- Fatigue resistance test

6.1. Chemical analysis

The sample must have a minimum mass of 50 g. The chemical composition in percentage terms must conform to that laid down in Table II for the corresponding type of steel.

6.2. Traction test

The test must be conducted on a sample of circular section, taken from the blade, whose dimensions are indicated at the end of this Appendix (Figure A.8).

The values of the tension characteristics must conform to those laid down in Table I.

6.3. Tensile test

The test must be conducted on a sample taken from the blade, without notches, whose dimensions are indicated at the end of this Appendix (Figure A.8). The value must conform to that laid down in Table I.

6.4. Test of strength at the fracture point, KId

The KId value must be established by testing on the traction test samples with a groove in the form of a 'Charpy V', with dimensions as indicated at the end of this Appendix (Table VIII).

The results must conform to the reference standards.

6.5. Hardness test

The hardness of the material, determined on the exterior surface of the finished product, must conform to that laid down in Table I.

6.6. Microscopic examination of the structure

The examination must be carried out at 500 magnifications on a sample taken from the blade.

The structure submitted must be smooth and homogeneous, conforming to grain dimensions of 7–8 microns in accordance with the standard of reference and corresponding to that resulting from the heat treatment specified in Table III for the corresponding type of steel.

6.7. Non-destructive control

Before being put on the market, all blades must be subjected to a non-destructive control, using an electromagnetic apparatus employing Foucault currents, to explore for surface and below-surface faults. This control is compulsory, and must be carried out over the entire surface of the blade.

6.8. Alternate bending test (optional)

In order to examine the behavior of blades and the effects induced on the material when the blades are deformed in a plastic manner by the method of alternate bending, new blades selected by chance and supplied from actual production lots must be subjected to test using the special equipment indicated in the Appendix.

The test consists of making a section of the blade bend plastically, in one direction with a radius of inflexion of 60 mm, in the opposite direction with a radius of inflexion of 100 mm, in order to obtain an approximate straightening.

The section of blade involved in the test must be approximately 155 mm long, of which 60 mm from the point must not sustain any deformation.

A cycle consists of one bending plus one straightening. The result of the test is represented by the number of cycles completed before the blade breaks.

To check safety conditions during the normal use of blades, the samples tested must be subjected to a series of alternate bendings at a frequency of not more than 1 Hz (1 Hz = 1 cycle per second), verifying that the blade does not break before:

- 400 cycles for foil;
- 150 cycles for épée,

when the cycles have been conducted in accordance with the method described above.

6.9. Fatigue resistance test

In order to examine the behavior of the blades during normal fencing activity, the blades to be tested must undergo a test of their resistance to metal fatigue, with a special apparatus, either mechanical (Baiocco model) or pneumatic (Husarek/Sofranel model). Plans of these two machines may be obtained, on demand, from the SEMI Commission.

The test consists of bending the blade without exceeding the limit of elasticity of the material, i.e. to the point where a bend of approximately 220 mm is reached, corresponding to a shortening of the blade by approximately 250 mm, and then allowing it to straighten.

The test machine must be able to allow the bending and straightening of the blade at a frequency of 1 Hz (1 Hertz = 1 cycle per second).

The test benches are designed to reproduce the stresses to which a blade is subjected in normal fencing activity. The stresses do not go beyond the limits of the elasticity of the blades; a permanent deforming of the blade should not take place. The number of bends to which a blade is subjected before breaking defines its resistance to metal fatigue.

The test benches can be used for bending either without impact (with the end of the blade attached to a revolving support) or with impact (with the end of the blade unattached).

The test should continue until the blade breaks. For the result to be acceptable, it must be ascertained that the blade does not break before:

- 18,000 cycles for foil blades;
- 7,000 cycles for épée blades.

6.10. Evaluation (in percentage terms) of the surface of the progressive fracture

The surface of the fracture obtained at the moment of breaking in the test in points 6.8 and 6.9 above must be analyzed in order to measure the extent of the surface over which the rupture has developed progressively.

The measure must be expressed as a percentage of the surface of the entire section subject to the test.

The acceptability of the mechanical characteristics of the blade is confirmed when the measured percentage value is not lower than 15% for foil and 6% for épée.

7. Results of tests and examinations

For each of the tests and examinations detailed in point 6 the results must comply with the following table.

Table IV. Results of tests and examinations

Point of reference	Examination or test	Results
4.1, 6.1	Chemical analysis	Must conform to Table II
4.2, 6.2	Traction test	Must conform to Table I
4.3, 6.3	Tensile test	Must conform to Table I
4.4, 6.4	Test of fracture resistance	Must conform to Table I
6.5	Hardness test	Must conform to Table I
6.6	Microscopic examination of structure	Must conform to point
6.6		
6.7	Non-destructive test	Must conform to point
6.7		

8. Marking

The identification mark of the manufacturer and the date of manufacture (year and month) must be applied on each blade by cold-stamping near the entry into the guard, to a maximum depth of 0.5 mm.

Note: All the standards may be modified. It is therefore important that manufacturers of blades are absolutely sure that they are in possession of the latest edition or of the latest update page.

EQUIPMENT

2. STANDARDS FOR THE MANUFACTURE OF FENCING MASKS

2.1. MESH OF FENCING MASKS

STANDARDS FOR THE MATERIALS FOR THE MESH OF FENCING MASKS

1. Purpose

These specifications concern the technical quality of the round cold-drawn wire of carbon stainless steel intended for the manufacture of the mesh of fencing masks, the processes of its production, and the controls and tests to carry out in its use.

2. General conditions of raw material

The steel intended for the manufacture of the mesh of fencing masks must possess excellent qualities of strength and a high level of elasticity and plastic deformation, as well as a very good resistance against corrosion.

3. Materials

3.1. Chemical composition

The composition of the machined wire to be used to manufacture the wire complying with the present rules, depending on the type of steel chosen, must include the following, in percentage terms.

Table V. Chemical composition

Element	Type of steel		
	304	304 L	321
C	0.03–0.06	< 0.03	< 0.08
Mn	< 2	< 2	< 2
Si	< 1	< 1	< 1
P	< 0.04	< 0.04	< 0.04
S	< 0.03	< 0.03	< 0.03
Cr	18–20	18–20	17–19
Ni	8–10.5	9–12	9–12
Ti	–	–	5 x Cmin (< 0.8)

For information, some of the most widely used types of steel are shown above; they satisfy more or less the following defined standards:

- EURONORM 88-71 (EEC)
- UNI 6901-71 (Italy)
- AFNOR NF A 35-572 (France)
- DIN 17440 (Germany)
- BSI PD 6290 (Great Britain)
- MNC 900 E (Sweden)
- JIS G 4306-1972 (Japan)
- GOST 5632-61 (USSR)

3.2. Processing the steel and manufacturing the wire

The method of processing of the steel is entrusted to the supplier. The hot processing to obtain the machined wire must be such that it can ensure a high level of consistency in the materials and an absence of discontinuity and of faults in the interior and on the surface of these same materials.

The process of cold wire drawing, to reduce the section in order to obtain the desired diameter, must provide for adequate intermediate tempering for the manufacture of the tempered materials. In any case the last step of the wire drawing must be preceded by a chemical solution treatment at 1050–1100°C (stainless steel tempering) for types 304 and 304 L or a stabilization treatment at 850–900°C for type 321.

The last step of the cold wire drawing must involve a hardening process defined commercially as approximately 1/4 hard (H4), with a corresponding reduction in section of 15% and carried out in such a way as to ensure the materials possess the minimum values of the mechanical characteristics indicated in point 3.4.2 of this specification.

3.3. Dimensions of the wire and tolerance

Table VI. Dimensions and tolerance

Diameter (d) (mm)	Tolerance * on d (mm)	Section (mm ²)	Weight per 1000 m (kg)
1.0	± 0.02	0.725	6.28
1.1	± 0.02	0.950	7.50

* The lack of roundness of the wire must not exceed half the tolerance.

Intermediate values of the diameter of the wire are allowed on condition that they conform to the tolerances indicated.

3.4. Conditions of supply

3.4.1. State in which supplied

The wire must be supplied bare with a polished surface: The surface must not show any faults such as scratches, pock marks or other imperfections.

3.4.2. Mechanical characteristics

The values of the mechanical characteristics of the wire which are established at an ambient temperature by the traction test indicated in point 4.1 must be higher than the minimum values shown in Table VII.

Table VII. Mechanical characteristics

Combined loading of breakage	Combined loading of gapping at a proportionality of < 0.2%	Stretching at breakage
R (N/mm ²)	Rp(0.2) (N/mm ²)	A ₅₀ (%)
min 700	min 700	min 18

4. Tests and examinations

4.1. Traction test

This test must be conducted on samples obtained directly from the wire and in accordance with the conditions indicated by the standards of each country.

4.2. 180° bending test

The test consists of bending the wire to 180° on a 2 mm diameter mandrel. After the test the wire must not show any small cracks at the point where the bend occurs.

4.3. Micrographic examination of the structure

The examination is conducted on a cross-section of the wire (encased in sufficient resin) at a magnification of x 200 – x 500 after polishing and etching with 10% oxalic acid in accordance with the ASTM 262-70 standard or equivalent.

In practice you should observe a stainless structure with martensite bands; in any case no chrome carbon precipitates may be present on the grain boundaries (see the acceptable structure, in accordance with the ASTM standard already mentioned: 'steep structure').

5. Documents

For the product corresponding to these rules the following documents must be delivered by the manufacturer:

- certificate of conformity of the chemical composition;
- certificate of control of the mechanical characteristics and the results of the bending test and the micrographic examination.

2.1.2. TRANSPARENT MASKS

1. General

The FIE in its standard practices has established the possibility for fencers to use either traditional masks made with metallic trellis or transparent masks.

These transparent masks can be of two types:

- composite masks, made using traditional masks, of which a part of the front trellis has been replaced by a visor of transparent plastic;
- masks made entirely of plastic, of which the front part must be transparent.

Currently only composite masks have been accepted by the FIE.

2. Manufacturing norms for transparent masks

The norms are, at present, valid only for composite masks.

The starting point is a metallic trellis mask; into the front part of the trellis, at eye level, a window is made by cutting the trellis to a width that may reach as far as the lateral part of the trellis and to a height that may not exceed 12 cm.

The window must be rimmed by a metallic frame of stainless steel, made of two superimposed sections, of which the first is to be soldered to the trellis and the second fixed to the first by bolts.

The transparent visor made of polycarbonate (Lexan) will be placed between the two parts of the frame.

Care must be taken that:

- The thickness of the steel gauge of each part of the frame must be between 0.8 mm and 1.0 mm.
- The edges of the frame which holds down the transparent visor must not be sharp (cutting) and must adhere to the trellis, without any perceptible projections.
- The part of the frame that is soldered must be fixed to the trellis before the window is cut, to ensure that the shape of the mask is not altered when the wires of the trellis are cut.
- The bolts fixing the two parts of the frame must not project beyond the nuts into which they screw.
- The polycarbonate transparent visor (Lexan) must have a minimum thickness of 3.0 mm, and a protective layer against damage to the outside surface is recommended.
- The visor must not have any holes in it, must be shaped when hot, and placed in its location in the frame, under no pressure, when cold and, therefore, without being in any way 'stressed'.
- There must be provision for an anti-condensation system on the inside of the visor, or Lexan treated to this end must be used.
- Because of the damage caused to transparent visors during fencing competitions, it is essential that fencers are able to change the visor of their masks simply and easily.
- The padding of the mask must be reduced as much as possible, using any system which will provide a circulation of air virtually equivalent to that of the traditional mask.
- The total weight of the mask must not exceed 2 kg.

3. Safety standards

All transparent visor masks must provide a high level of safety for fencers. They must therefore comply with very severe standards and in particular:

- The whole structure of the mask must be rigid and not be distorted as a result of violent shocks.
- The metallic mesh and the bib must have the same strength characteristics as those of traditional masks.
- Because of ageing of the plastic material, the polycarbonate visor must only be used for two years after its manufacture and, therefore, the date of manufacture (year and month) must be indicated on it very clearly.
- To avoid degrading the polycarbonate, all contact with chemical agents that can damage the material must be prevented; in particular, any presence of PVC is unacceptable.
- The mask should be kept in a protective bag and it is desirable to avoid putting the mask in the fencing bag (and hence in the aircraft hold) during airplane journeys, but rather to keep it in hand luggage.

4. Homologation of transparent masks and test methods

Before being put on sale and used, all transparent visor masks must be approved and homologated by the SEMI.

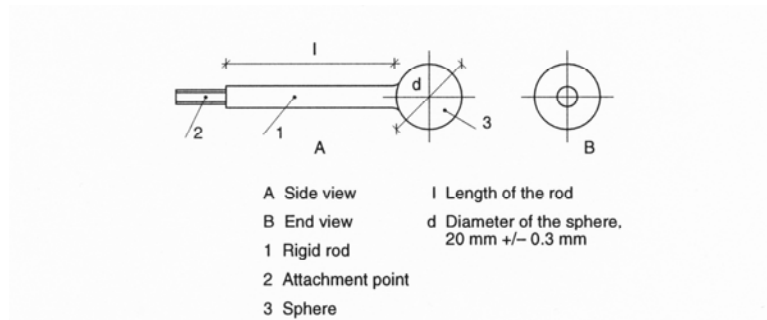


Figure A.1. Test rod

4.1. Homologation

To obtain homologation the masks must first be sent to the Denkendorf Institute of Germany (or to any other institute approved by the SEMI), which will submit the samples to tests of the resistance to penetration of the metallic trellis and the visor in accordance with the CEN norms.

If the test results are positive, the constructor must send two examples of the mask to be homologated, together with the Institute's certificate, to the headquarters of the SEMI in Rome, for the violent-shock tests.

If this result is also positive, the SEMI will issue the homologation certificate to the manufacturer, and the mask may be put on sale and used at official FIE competitions.

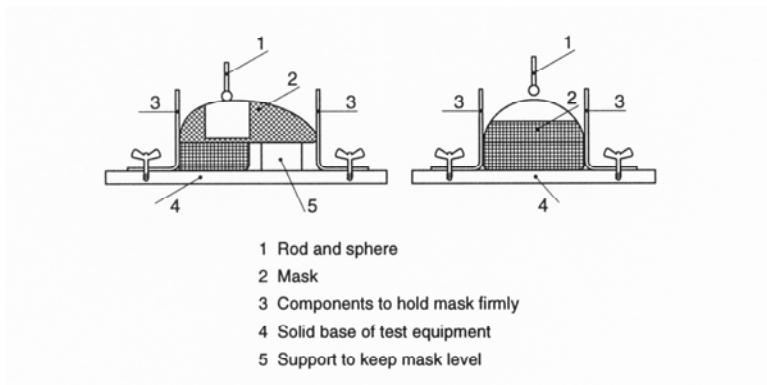


Figure A.2. Method of fixing the mask

4.2. Violent-shock testing

Transparent visor masks must satisfy either the norms established by the CEN Special Commission (cf. the paragraph on masks) or the additional norms established by SEMI relating to resistance to violent shocks.

Therefore, in addition to the tests for resistance to penetration on several parts of the mask as provided for by CEN norms, there is a need for a further test of the resistance of the entire mask to violent shocks, which might occur as a result of impact with the head or the guard of the opposing fencer.

This test will be carried out in the following manner.

4.2.1. Equipment for the test

The machine to be used must provide for a striker, of variable but known weight, to fall from a height which is also variable, up to a maximum of 2 m.

Fixed to the striker there must be a rod, made of tempered steel, ending in a head in the form of a sphere, with a diameter of 20 mm +/- 0.3 mm.

The rod must be 40–50 mm long and provided with a means of attaching it (normally a thread) to the drop test machine (see Figure A.1, above).

An appropriate support for the mask must be provided on the base of the test apparatus, to hold the mask firmly during the tests.

On the base of the apparatus, in effect, sliding structures must be in place that can be fixed in an established position, so as to form a sort of rigid box within which the mask is held (see Figure A.2, above).

4.2.2. Drop equipment

The equipment to be used must allow a guided mass weighing between 3 kg and 5 kg to drop from variable heights to achieve a maximum speed of between 5 and 6 m per second at the moment of impact of the striker on the sample to be tested.

A means must be arranged for stopping the drop weight, with the aim that only the rod with the spherical end touches the mask, and not the weight.

The releasing mechanism of the striker must be controlled in such a way as to ensure the same starting conditions, whatever the height of the drop.

The rod, as already specified in 4.2.1, must be fixed to the drop weight.

4.2.3. Sample to be tested

The sample to be tested must be the complete mask, but without the bib and the trimmings.

The mask must be placed on the base of the test apparatus, with the front part turned uppermost.

4.2.4. Successive test cycles

The tests must be conducted in the following order:

1. first test on the visor with the impact point of the sphere on the centre of the mask and on the line crossing the centre of the visor;
2. second test on the same point.

4.2.5. Procedure

1. Fix the mask onto the base of the machine and the rod with the impact sphere onto the drop weight of the drop test apparatus.
2. Place the mask in a such a way as to align the impact point on the mask's visor with the centre of the sphere.
3. Prepare the drop weight for a total weight of 5 kg +/- 0.03 kg, including the rod and the impact sphere.
4. For the first test, raise the drop weight to a height that gives a distance between the sphere and the point of impact on the mask visor of 1600 mm +/- 10 mm, corresponding to a drop energy of 80 joules.
5. Allow the drop weight to fall onto the mask.
6. For the second test, raise the same drop weight to a height of 1800 mm +/- 10 mm, corresponding to a drop energy of 90 joules.
7. Allow the drop weight to fall onto the mask.

4.2.6. Test result

The result of the test is considered positive if the mask resists the two tests without either deformation or damage to the visor itself, or to the frame fixing the visor to the metal trellis.

Only a small impression on the polycarbonate visor, at the point of impact of the test sphere, is acceptable.

2.1.3. MASKS THAT ARE COLORED OR DECORATED WITH DRAWINGS

Masks may feature colored designs, on condition that they are approved by the FIE Executive Committee at least 30 days before being used for the first time in an official FIE competition.

USFA Note: Masks may feature colored designs on condition that they are approved on the sole and absolute discretion of the Head Referee, and is unappealable at that event.

2.2. SHAPE, DIMENSIONS AND METHODS OF PRODUCTION OF THE ELEMENTS OF FENCING MASKS

TECHNICAL SPECIFICATION FOR THE MANUFACTURE OF FENCING MASKS

1. Purpose

These technical specifications concern the shape, the dimensions, the methods of production of the essential constituent elements of protective fencing masks, as well as the technical quality of the materials intended for their manufacture.

2. General conditions

All the materials of which fencing masks are made and the corresponding manufacturing processes must ensure an excellent mechanical resistance, a high degree of visibility and comfort for the fencer and a sufficient resistance to wear and tear and ageing.

3. Shape and dimensions of masks

The shape of masks is indicated schematically in Figure A.3 (viewed from the front, from the side and from above). The dimensions of the frontal grille depend on the dimensions of the mask. Those of the side grille must be as follows: the height corresponding to 3/4 that of the front grille; the width being between 10 and 12 cm.

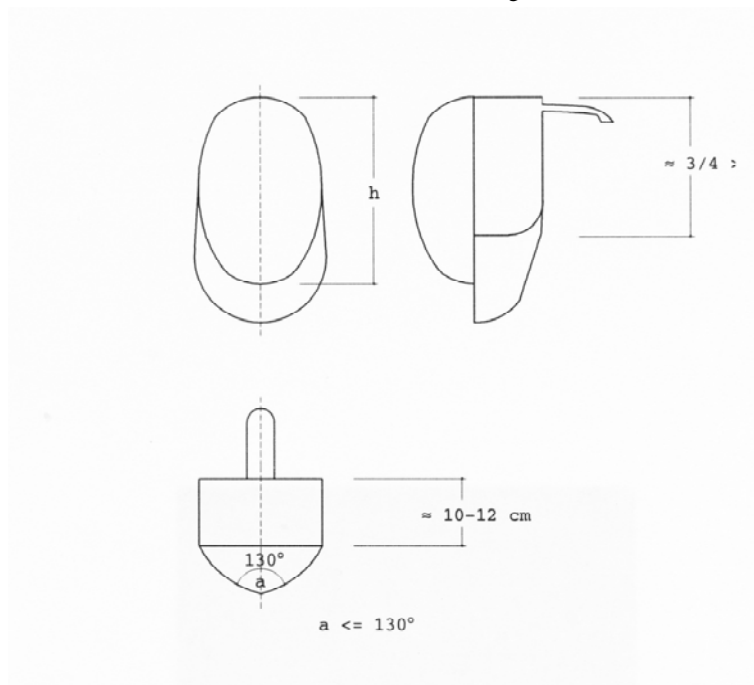


Figure A.3. Design of masks

4. Essential constituent elements

The essential elements of the mask, as shown in Figure A.3, are:

- (a) frontal grille protecting the face;
- (b) lateral grille protecting the neck and the nape of the neck;
- (c) strip for reinforcement and to connect the grilles;
- (d) bibs.

The other parts, such as the interior protecting facings, padding, elastic bands and the safety retaining devices, whose production is entrusted to the manufacturer, must entirely conform to the conditions required for their use.

In particular, the rear covering device must ensure that the mask is located in the correct position on the fencer's head and that it remains in a perfect position, even after blows or shocks.

4.1. Front and side mesh

The mesh must be made of woven material with a square aperture, with an opening of 1.9 mm, made entirely of round stainless steel wire CrNi 18-10 (the technical quality of the wire for which is addressed in Table V on p. 41).

In the curved zone of the grille the presence of mesh with an opening greater in size than that specified is permissible, on condition that it does not exceed

2.1 mm. The frontal grille must form an interior angle of - 130°, corresponding to the fold of the centre line.

4.2. Junction of the frontal and lateral mesh to the reinforcement band

The joining of the frontal mesh to the lateral one, by the reinforcement band, can be accomplished by a mechanical joining (for example metal wire stitching, use of rivets), or by solder.

In the case of solder, which in any case must be done using the usual techniques for stainless steel, the operation must be completed by a careful mechanical polishing of the soldered area, to eliminate slag and residues. The mesh must be entirely covered in paint with a polymer base. Any heat treatments to harden and stabilize the painting must be carried out at a temperature of - 400°C.

4.3. Bibs

The bib must be formed from several layers of cloth firmly fixed to each other, of which at least one on the inside must be made of Kevlar fiber or a similar substance; in any case the cloth so formed must ensure a high degree of resistance to penetration equal or greater than 1600 Newton, to be tested by the methods described in 3.1, below; it must also hinder the forming of stiff creases or the rolling up of the bib itself.

The bib must be fixed to the exterior of the grille starting from the reinforcement band onwards and extending as protection for the neck for a total height of the order of 10–12 cm.

5. Test and certificates

For each model and production series of masks, the manufacturer will send three examples to the SEMI Committee for testing that the mask conforms with the present specifications, as well as photocopies of the certificates delivered by the manufacturer of the mesh.

In the case of a positive result of this test, the manufacturer can place next to the manufacturing mark the following information: 'Conforms with standard ... of the FIE' ('conforme à la norme ... de la FIE').

3. STANDARDS FOR THE MANUFACTURE OF CLOTHING

For the manufacture of fencing clothing it is obligatory to use material which is able to resist perforation by a force of at least 800 Newtons. This resistance must be verified by the tests defined in the following paragraphs.

3.1. RESISTANCE OF CLOTH AGAINST PERFORATION

STANDARDS FOR TESTING THE RESISTANCE OF CLOTH AGAINST PERFORATION

1. Generalities

The method which is the subject of this standard is intended to determine the resistance against perforation of cloth used to make up fencing uniforms.

The perforation load is defined as the maximum value of impact registered before the sample of cloth is perforated by the test probe: the load is expressed in Newtons or else in kilograms of force to one decimal place.

2. Methods of conducting the test

2.1. The test takes place using a high speed dynamometer (as, for example, the INSTROM 1273 apparatus) fitted with a moving test probe 3 mm long, with a square section, a pyramidal head and an angle at the tip of 120½ (see Figure A.4, section A); this probe must be made of high speed or super high speed steel, with a length of 70 mm, of which at least 50 mm juts out from the holding device (see Figure A.4, section B).

2.1.1. The travel of the point must be perpendicular to the surface of the cloth during the course of the test.

2.1.2. The speed of the probe during the test component of its travel must be more than 6 m/s.

2.2. The test must be conducted in a place where the temperature is 20–25°C and with a relative humidity of 50–55%.

2.3. The samples for the test must be taken from a piece of cloth around 50 cm high, free of faults and obtained at random at a distance of at least 2 m from the ends.

The samples must be square in shape with sides of 14–15 cm and they must be fixed on a device with a double vice (see Figure A.5) while leaving a section of 50 mm diameter free for the test.

In the case of fabrics made of several separated layers of cloth, a continuous seam must be sewn along the sides of the square of material which constitutes the sample.

2.4. The samples of cloth must be brought to the area where the test will take place at least two hours before the test.

2.5. During the test the force applied by the probe must be registered under the proper conditions of temperature and humidity. The end of the scale for measuring the forces must not be more than 5000 Newton (with a tolerance of ± 5 Newton).

2.6. For each cloth, at least three samples must be tested, taken at random from the piece of cloth.

3. Results

The following data must be shown on the certificate confirming that the test has been carried out:

- (a) The name of the company applying, type and brand of cloth;

CLOTHING

- (b) The maximum force at the point of penetration for each sample and their average, and the comparative graphic traces of the test;

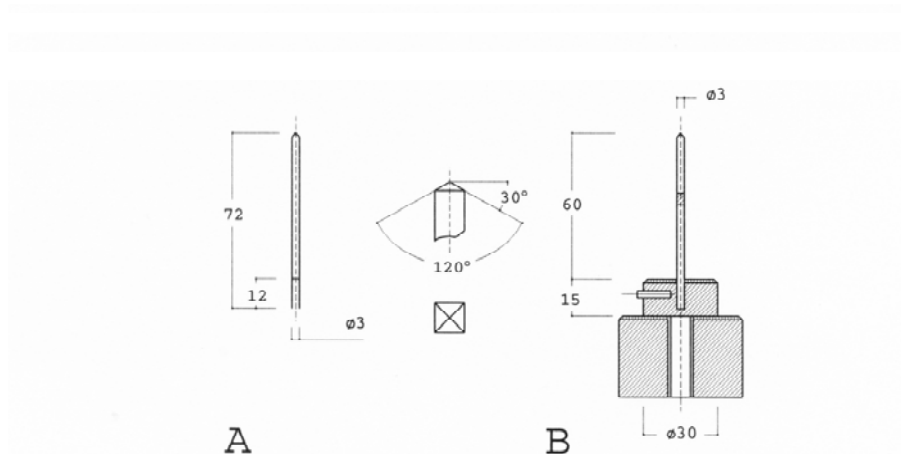


Figure A.4. High speed dynamometer for test of cloth resistance to perforation

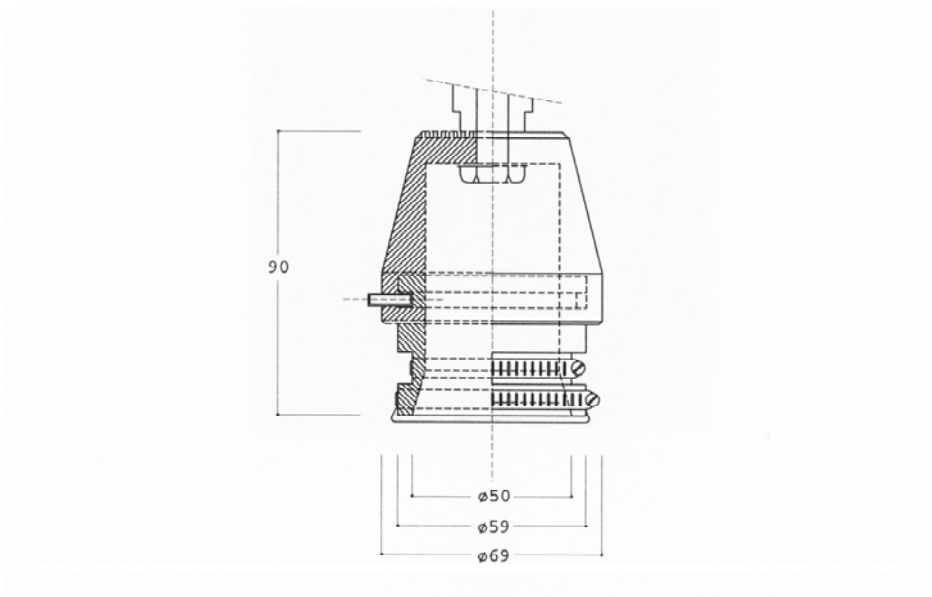


Figure A.5. Fixing device for test of cloth resistance to perforation

(c) The type of dynamometer used, the type and speed of the probe in the test component of its travel, and the conditions of the test (temperature and relative humidity).

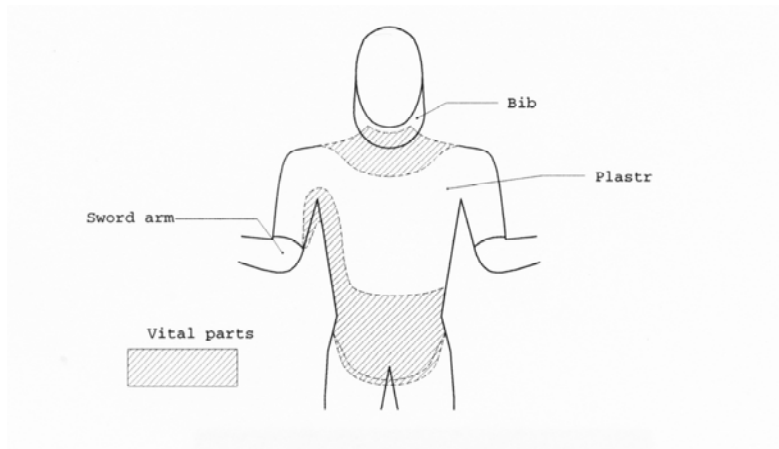


Figure A.6. Vital parts

3.2. PARTS OF THE FENCER THAT IT IS VITAL TO PROTECT

Extract from the Minutes of the Medical Committee of the FIE
 After discussion the Medical Committee considers that the following ought to be considered as 'parts that it is vital to protect'.
 — Above

The plastron, which is included in the jacket, must protect the neck under the bib (overlapping with this latter), the two hollows above and below the collar bone, the region surrounding the armpit of the weapon arm, and that covering the heart.
 — Below
 Protection included in the trousers must cover the abdomen, the two inguinal regions, and the genital organs (by means of a protective cup).

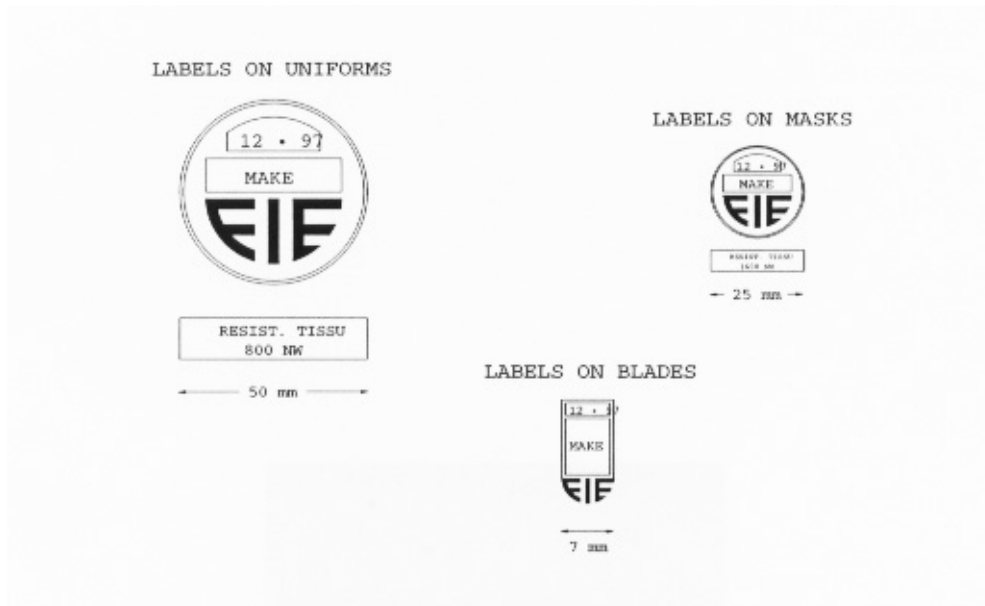


Figure A.7. FIE quality labels (not to scale)

4. LABEL OF QUALITY

As far as the quality label is concerned, the Committee has established that it must be indelible, must be circular in shape with a diameter of 25 mm for the mask and 50 mm for the uniform, and must include the following data:

- the emblem of the manufacturer;
- the date (year and month) of manufacture;
- the FIE emblem.

On blades, the label must be 7 mm wide.

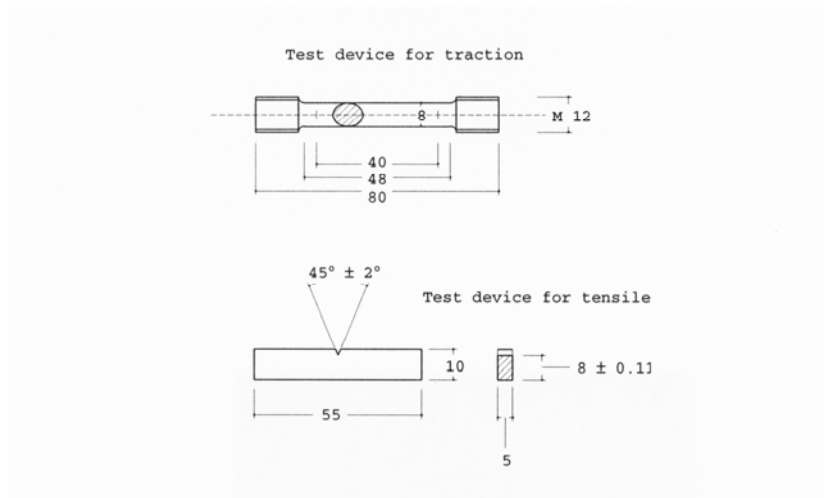


Figure A.8. Test devices for traction and tensile strength

Table VIII. Recommended thicknesses

$R_{p0.2}/E$			Thickness recommended
			B (mm)
From 0.005	0 to 0.005	6	75
From 0.005	7 to 0.006	1	63
From 0.006	2 to 0.006	4	50
From 0.006	5 to 0.006	7	44
From 0.006	8 to 0.007	0	38

From 0.007	1 to 0.007	4	32
From 0.007	5 to 0.007	9	25
From 0.008	0 to 0.008	4	20
From 0.008	5 to 0.009	0	12.5
	0.010	0	6.5

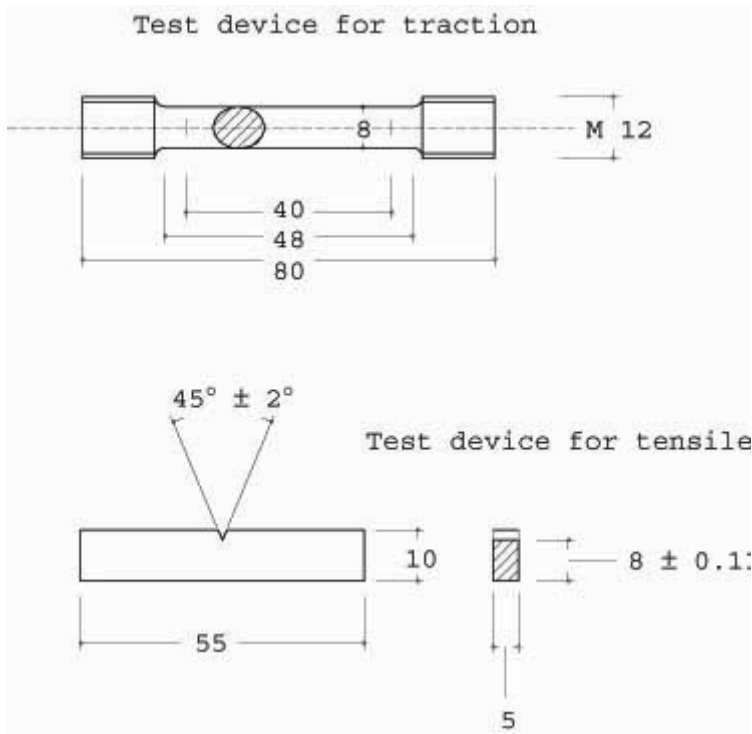


Figure A.6. Test devices for traction and tensile strength

APPENDIX B TO THE MATERIAL RULES

Characteristics of Scoring Apparatus

A. FOIL

1. THE CENTRAL JUDGING APPARATUS (cf. m.51)

(a) Principles

1. The apparatus registers when a break occurs in the circuit of the foil, that is to say that the electrical current which is circulating permanently in the foil circuit is broken when a touch is made.

2. The apparatus will show a red signal on one side and a green signal on the other when a touch is registered on target; white signals will indicate touches off the target on either side. If an apparatus equipped with yellow lights is being used, it must also show a yellow signal when an uninsulated part of the weapon of the fencer who is touched is in contact with his conductive jacket.

The second part of the above paragraph is not enforced in the case of anti-blocking apparatus.

3. The audible signals will consist either of a short ring, or of a continuous note which will be automatically limited to two seconds. Either sort of sound will occur whenever a visual signal appears. The sound signal must be identical for both sides of the apparatus.

4. After registering a touch off target, the apparatus must no longer be able to register a subsequent touch on target on the same side of the apparatus.

5. Conversely, after a touch has been registered on target, the apparatus must not register any subsequent touch which arrives off target on the same side of the apparatus.

6. No priority must be indicated between a touch registered against one competitor and a touch registered against his opponent.

7. After a period of time of 300 milliseconds (+/- 25 milliseconds tolerance) after the first hit signaled by the apparatus (this period of time bears no relationship to 'fencing time' which is the basis of judging according to the conventions governing foil fencing), the latter must ignore all signals for subsequent hits.

(b) Sensitivity and regularity

1. Any touch must cause a signal whatever the resistance of the circuits external to the apparatus. The duration of the break of contact which must always ensure that a signal is registered must be 14 milliseconds (with + or - 1 ms of tolerance).

Depending on the increase in the resistance, the apparatus may register:

- (1) a valid touch only;
- (2) a valid touch and a non-valid touch simultaneously;
- (3) a non-valid touch only.

The resistance must always be less than 500 ohms for (1) and (2).

2. The registering of a valid touch must be guaranteed when there is a break of contact of 13 to 15 milliseconds, when the exterior resistance is between 0 and 500 ohms.

3. The contact time is the same for valid and non-valid hits. A break of contact of duration of 14 milliseconds (+/- 1 millisecond) must always ensure that a signal is registered, when the exterior resistance is between 0 and 200 ohms.

4. The apparatus must be capable of supporting an increase in the resistance in the closed circuit of the foils of up to 200 ohms, without causing a 'non-valid' signal to register.

5. Even if the resistance of the foil earth circuit is increased up to 100 ohms, none of the following irregular phenomena must occur:

— that touches are registered on the guard or on the strip;

— that it is possible to obtain the registration of a touch merely by contact of the blade or the pointe d'arrêt (without depressing it) on the conductive jacket of either competitor.

6. If faulty insulation of one of the competitors causes a leakage of current between his conductive jacket on the one hand and his weapon or the conductive strip on the other, corresponding to a resistance which could go down to 250 ohms, even so the apparatus must continue normally to register the touches exchanged, valid or non-valid.

7. When the blades are in contact, irrespective of the resistance in ohms between them, the apparatus must be capable of registering normally the touches exchanged, valid and non-valid.

8. A specification for tests of apparatus under different conditions will be supplied on request by the SEMI Committee of the FIE.

9. A specification for tests also includes the control of functioning of the yellow lamps.

10. The Congress of the FIE has authorised this Committee to modify or complete the above requirements whenever technical improvements allow the construction of apparatus which can ensure the better operation of the electrical foil judging apparatus.

2. ANTI-BLOCKING TYPE CENTRAL JUDGING APPARATUS

This apparatus must conform to the requirements of the rules set out in Articles m.44–m.51 inclusive, as well as paragraphs (a) 'Principles' and (b) 'Sensitivity and regularity' above, with the exception of point 6 of paragraph (b).

Even if a fault in the insulation in a fencer's equipment causes a short between his conductive jacket and his weapon, the apparatus should still be capable of registering both valid and non-valid touches.

In the case specified in the paragraph above the apparatus must register touches on the earth circuit of the foil of the fencer whose equipment has the insulation defect if the resistance of this current leakage is between 0 and 100 ohms, but if the resistance of the return circuit of the opponent's foil increases to 200 ohms, the apparatus must register touches.

The apparatus must be equipped with two yellow lamps regulated as follows. The yellow lamp on the side of either fencer must automatically light up and remain alight as soon as the resistance between the conductive jacket of that fencer and his weapon is less than 450 ohms. When this resistance is in excess of 475 ohms, the yellow lamp should never light up.

These yellow lamps serve only to indicate insulation faults.

If one or both of the yellow lamps remain lit up, the Referee must stop the bout and call the technical experts on duty to eliminate the fault.

The yellow lamps must not indicate any contact between the fencer's conductive jacket and the conductive strip.

There must be no signal from touches made on the conductive strip if the resistance in series between the apparatus and the conductive strip does not exceed 150 ohms.

If both fencers touch the conductive strip at the same moment and if one of them has a leakage of current between his foil and his own conductive jacket, no signal is permitted.

B. EPEE

(a) Principle

The apparatus registers when contact is established between the wires forming the circuit in the épée, thus completing the circuit.

(b) Timing

The apparatus must register only the first touch which is made. If the interval of time between two touches is less than 40 milliseconds (1/25th of a second), the apparatus must register a double touch (both signal lamps must light up simultaneously). When the interval is greater than 50 milliseconds (1/20 of a second) the apparatus must register only one touch (only one signal lamp is lit). The tolerance allowed for timing the apparatus is that between these two limits (1/25th and 1/20th of a second).

(c) Sensitivity

When the external resistance is normal, that is 10 ohms, the apparatus must register touches when these are made with a duration of contact of 2–10 milliseconds. With an exceptional external resistance of 100 ohms the apparatus must still register a touch, but without any specific duration of contact.

The apparatus must not register signals of less than 2 milliseconds duration.

(d) Non-registration

The apparatus must not register touches which are made on the earthed material (on the guard or on the conductive strip), even when there is a resistance of 100 ohms in the earth circuit.

(e) Visual signals

1. Visual signals include at least two signal lamps on each side of the apparatus, so designed that if one lamp does not function it does not prevent the other from lighting up nor cause an excessive current through the latter.

2. The signal lamps should give a red signal on one side of the apparatus and a green signal on the other.

3. The apparatus should have a pilot light to show that it is switched on. This light should be dim and not coloured.

4. The apparatus may include lights which indicate shorts. These should be orange in colour.

5. The light-bulbs which show when touches are registered are usually covered with translucent shades. It must, however, be possible to remove these shades and use naked lights, when the light conditions in the locality make it desirable to do so (strong sunlight or, exceptionally, in the open air).

(f) Audible signals

The apparatus must have a loud sound signal. The apparatus may include a device which allows the sound signal to be stopped before the apparatus is reset.

C. SABRE

(a) Principles

1. The apparatus works by contact between the body of the sabre and the conductive surface of the opposing fencer's jacket, glove and mask.

2. For touches made on these valid conductive surfaces, the apparatus shows a red light on one side and a green light on the other.

If the guard or blade of a fencer's sabre is in contact with the conductive surface of his own equipment (signalled by a yellow light), a valid touch made by that fencer must still register.

3. The audible signal will consist of either one short ring or a continuous note lasting 1–2 seconds, concurrent with the light signals. The sound will be the same for both sides of the apparatus.

4. Touches made on the non-conductive surfaces must not be signalled.

5. The apparatus must be equipped with two yellow lamps, one on each side, which will indicate a contact between the guard or blade of a fencer's sabre and the conductive surface of his own equipment.

6. The apparatus must be equipped with two white lamps, identical to those on a foil apparatus, which by their constant illumination, accompanied by a sound signal, indicate any abnormal electrical change in circuits B and C of the fencer at fault.

7. The apparatus must not signal a touch made by the blade whipping over to touch the opponent while in contact with his blade or guard.

8. After a touch has been registered, a subsequent touch made by the other fencer will only be registered if it occurs within a maximum delay of 120 milliseconds (with + or - 10 ms of tolerance).

The fact that a touch arrived on one fencer before a touch arrived on the other will not be indicated.

9. When the two blades touch, all the other rules should be strictly applied.

10. The SEMI Committee of the FIE reserves the right to change the rules governing the apparatus, either to simplify or to improve its performance.

(b) Sensitivity and regularity

1. The duration of contact during which a signal should be ensured should be 0.1–1 milliseconds. These times may be varied in the light of experience and of laboratory tests carried out by the SEMI Committee.

An apparatus will be rejected if a touch can be registered with a duration of contact of less than 0.1 milliseconds (time subject to modification).

2. The apparatus should allow an increase in the exterior resistance of the connections up to 100 ohms without any drawbacks.

3. Should a fault in the insulation, down to 0 ohms, cause a leakage of current between a fencer's valid conductive surface and his weapon, the apparatus should still be capable of registering all touches exchanged. The insulation fault will be signalled by the illumination of the yellow lamp on the side of the fencer whose equipment is at fault when the resistance is 0–450 ohms.

The registering of a valid touch on the guard or blade of the fencer at fault will be allowed provided that the electrical resistance between the guard or the blade and the valid surface is less than 250 ohms.

4. The apparatus should still function when the blades are in contact, or if there is contact between the blades and the guards, or between the two guards.

5. If the contact between the blade and the opponent's target takes place 'through the blade', the apparatus:

— will register the touch between 0 and 4 ms (+ 1 ms);

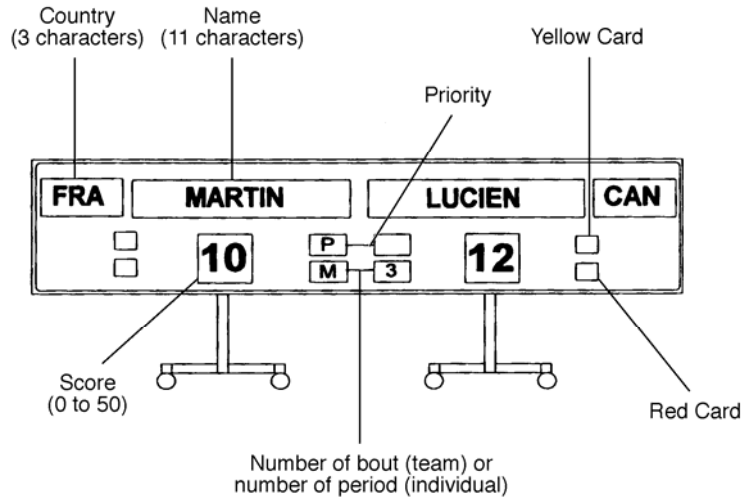
— will prevent the touch being registered between 4 and 15 ms (+ 5 ms), on condition that the contact between the two blades is not interrupted more than a maximum of 10 times in the interval.

6. Should there be a touch made by the whipping over of the blade which has not been signalled, whatever method has been used to prevent the signalling, after 15 ms (\pm 5 ms) from the contact of the blade with the valid target (the time for the registering of the whip) and unless there has been another touch, the apparatus should allow the normal registering of any subsequent touches.

3. A break in the control circuit (defined as more than 250 ohms) for 3 ms \pm 2 ms will be signalled by the

illumination of the white lamp on the side of the fencer at

fault.



Score-board for Finals

APPENDIX C TO THE MATERIAL RULES

SUPPLEMENT

FENCERS' PUBLICITY CODE

The Publicity Code was adopted by the 64th Ordinary Congress of the FIE on 21 May 1983, under the presidency of Mr Gian Carlo Brusati, MH. The proposed text, drawn up by Mr Jacques Hochstaetter, President of the Special Committee on Publicity, had previously been submitted for approval to the IOC. The latter, in its letter of approval of 12 April 1983, confirmed that the FIE Publicity Code conformed to the existing rules on amateurism.

CHAPTER I. GENERAL PRINCIPLES AND THE RELEVANT TEXTS

1. For all Olympic and pre-Olympic competitions, only the rules of the Olympic Charter are applicable, particularly Rules 26 and 53.

2. This present code applies, under the terms of the IOC rules, to all fencing competitions, whoever is responsible for the organizing of them (FIE, national federation, region or club).

3. Advertising in the places where fencing takes place is the responsibility of the organizers.

It is permitted to the extent that, in the opinion of the Directoire Technique, it does not inconvenience the fencers, the judges or the public.

Television requirements must be respected.

4. This code has nothing to do with the naming of a tournament.

5. The IOC has reiterated that, according to the rules of the EEC, no penalties can be imposed on a fencer who refuses to take part in an advertising contract entered into by his national federation.

CHAPTER II. COLLECTIVE ADVERTIZING CONTRACT

A. The parties

A collective advertising contract is agreed between:

1. The *sponsor*, a commercial, industrial or philanthropic concern which proposes to support, under certain conditions, a team, a group of fencers, a club, a regional organization, a federation or the organizer of a tournament.

2. A group of *sportsmen* officially recognized according to the norms laid down by the FIE or a national federation.

(a) A contract for the exploitation of an image (cf. Chapter IV, section B, below) may only be entered into by the FIE, the national Olympic Committee or the national federation of the team concerned (cf. Rule 26 of the IOC).

(b) A contract for publicity materials to be worn (cf. Chapter IV, section C, below) may only be entered into by the FIE, the national Olympic Committee, the national federation, the regional organization or the club of the team concerned.

(c) An organization may only enter into a contract within its own competence.

In any case of conflict between different contracts, the order of priority is as follows: FIE, national federation, region, club, group or team. In the context of the Olympic Games and their preparation, arrangements made by a national Olympic Committee take priority over those made by a national federation, a region or a club.

3. A *fencer* may only enter into an individual advertising contract or receive payment relating to advertising if this is done with the agreement of his national federation, in accordance with the arrangements laid down in Chapter III, below.

B. Procedure

1. The contract must be drawn up in writing and signed by the parties, and accepted by the fencers concerned.

2. National federations are responsible to their national Olympic Committees and to the FIE for seeing that contracts entered into by regions and by clubs are within the Rules, and may lay down procedures for checking or approving these contracts.

3. In any case of litigation or breaking of the Rules, the FIE, or its Central Office on its behalf, may demand from the national federation, region or club all relevant details, including the contract itself with the exception of the economic and financial clauses.

C. Position of the fencer

1. No fencer may receive personally any remuneration relating to an advertising contract entered into by a group of which he is a member.

2. No fencer may be made to take part, against his will, in an advertising contract, even one in which there is an exclusivity clause.

3. No fencer may be omitted from selection or from a sporting activity solely because he does not wish to take part in any advertising activity.

4. A fencer may be refused a share in a grant (for travel, maintenance, equipment, etc.) which is financed by an advertising contract to which he does not wish to be party.

5. A fencer who has been selected may not refuse to wear and use uniform or equipment as laid down by his national federation for the whole of a national team for a particular competition.

CHAPTER III. INDIVIDUAL CONTRACT

A. Principle

A fencer may bind himself contractually to a firm or an institution capable of helping him — including financially — in his preparation, but only with the specific written agreement of his federation.

B. Restrictions

The contract may only relate to the use of the image of a fencer. In particular, it may not contain any provision relating to the method of training of a fencer or to the choice of competitions in which he fences. To be approved by the national federation concerned, the contract must expressly mention that the demands of the federation or of the club take priority systematically and in all circumstances over those of the firm or the institution with whom he has signed the contract.

It is obligatory that any sums of money intended for the fencer must pass through the hands of the national federation.

CHAPTER IV. SPECIFIC REGULATIONS

A. Marks

(a) Definition

The mark is the name or badge which identifies the origin, the manufacturer or the seller of a particular piece of the fencer's equipment.

As soon as the mark exceeds the normal or authorized dimensions, it becomes an advertisement and comes under the jurisdiction of the regulation below (cf. Chapter IV, section C).

Marks may assume non-rectangular shapes but their areas may not exceed those equivalent to the dimensions below.

(b) Position and sizes

1. The articles of the fencers' equipment may carry the following visible marks:

Mask	One mark, maximum size 6.0 cm x 5.5 cm, on the rear of the spring
Jacket	One mark at the bottom of the jacket on the hip on the side of the non-sword arm, maximum size 4.5 cm x 2 cm
Breeches	One mark at the bottom of the leg of the breeches, on one side only, maximum size 4.5 cm x 2 cm
Stockings	One mark on each stocking, maximum size 4.5 cm x 2 cm
Shoes	The name of the brand on each shoe, maximum size 4.5 cm x 2 cm <i>or</i> the normal badge or insignia (e.g. bands)
Gloves	No mark
Weapon	No mark visible from any distance

The article of equipment may not have any distinctive mark (band, design, border, etc.) other than those authorized above.

2. Ancillary equipment may carry the following manufacturer's marks:

Tracksuit	The normal non-verbal mark as it appears on all articles by the same manufacturer (e.g. bands for Adidas) and one badge, maximum size 10 cm x 10 cm, on the left-hand side of the chest <i>or</i> the name, maximum size 10 cm x 4 cm, on the left-hand side of the chest
Fencing bag	No limitation
Sports bag	No limitation

B. Exploitation of the fencer's image

(a) Definition

This heading concerns advertizing contracts which propose:

- exploitation of the presence of a fencer;
- exploitation of the name of a fencer;
- exploitation of the picture of a fencer;
- exploitation of things said by a fencer;
- exploitation of a fencer's performance;
- any other exploitation of the image or fame of a fencer for publicity purposes.

(b) Regulations

The measures outlined above (in Chapter II) are alone applicable, as are Article 8.1.1 of the FIE Statutes and Rule 26 of the IOC.

C. Advertizing which is worn or carried

(a) Definition

1. Advertizing worn or carried refers to any name or badge other than the mark (cf. Chapter IV, section A) which appears on a fencer's main equipment or ancillary equipment and which comes from a firm other than the manufacturer or distributor of the equipment in question.

2. A mark which is larger than the sizes which are usual or laid down above (cf. Chapter IV, section A) constitutes advertizing.

3. All advertizements for alcoholic drinks, tobacco and any others against the sporting ethos are forbidden.

(b) Fencing clothing and equipment

No advertizing is permitted either on the clothing or the equipment of a fencer (weapon, mask, etc.) nor any other display (badge, name, etc.), other than as authorized above (cf. Chapter IV, section A), except on the mask, where the self-adhesive badge of the competition taking place must be worn, if the organizers so require (see below).

Nevertheless, on condition that the fencers precisely observe the regulations relating to electrical material and the equipment of

fencers, they must display their name and their nationality, in dark blue capital letters, on the back of their jacket. The letters must be between 10 cm, maximum, and 8 cm, minimum, high. The width of the letters will vary according to the length of the name.

If a federation and/or a fencer have signed a sponsorship contract with a commercial or other company, the logo of that sponsorship partner, maximum 75 cm² in size, may be affixed at the top of the sleeve of the non-sword arm of the fencing jacket, on the side of the breeches (left or right) or on the socks. At sabre a logo may not be worn on the sleeve.

A fencer may not display more than four such logos (which may be identical). The total surface area of all these logos added together must not exceed 300 cm².

(c) Tracksuits and clothing

1. On national federation tracksuits one advertisement is allowed, on the back between the shoulders:

- either one sign, not exceeding 10 cm in height;
- or one badge, not exceeding 15 cm x 15 cm.

Furthermore the logo of the sponsorship partner chosen by the federation or by the weapon concerned may be affixed horizontally on the front right-hand side of the tracksuit. The surface area of this logo may not exceed 50 cm².

In addition, if a fencer has signed a sponsorship contract with a commercial or other company, the official tracksuit may display the same logos as the fencing clothing.

2. At the World Championships, only national federation tracksuits may be worn (cf. point 1 above).

At other competitions (except on the podium at World Cup competitions), advertising on tracksuits, bath robes and any other clothing is unrestricted and is only limited by the consent of the national federation to which the fencer belongs.

3. At the World Championships and World Cup competitions, when the fencers are presented and when the prizes are awarded, the fencers must present themselves on the podium wearing either fencing clothing or their countries' complete official tracksuit (jacket and trousers) (cf. point 1 above). The jacket must be kept closed throughout the official ceremony.

On the strip, the fencer must present himself exclusively in fencing clothing, complete and done up.

(d) Fencing bags and sports bags

Advertising on fencing bags and sports bags is allowed without limitation.

(e) Television

When a competition is being televised, the requirements of the television company are paramount, and the organizers must make clear, if appropriate, in the conditions of entry for the competition, the way in which advertizing material worn or carried by the fencers will be permitted.

D. Leg-band or self-adhesive notice

(a) Principles

1. The organizers of a competition may identify the fencers by issuing them with a number on a leg-band or on a self-adhesive badge.

2. In such a case, the wearing of this band or badge is obligatory for the fencers.

3. The self-adhesive badge must be of a rough material which will not cause the point to slip.

4. The leg-band or self-adhesive badge may have on it advertising material within the limitations of the rules below.

5. The circular announcing the details of the competition must make clear what bands or badges the fencers are to wear, and what publicity will be on them.

Entering the competition implies an acceptance by the fencer of the obligation to wear the band or badge in question.

(b) Position and size

1. The leg-band must be fixed to the thigh on the side of the non-sword arm.

The maximum size of the leg-band is 20 cm x 20 cm. The fencer's number must be at least 10 cm high and 15 cm in width.

2. The self-adhesive badges must be fixed to both sides of the mask, on the side mesh. The maximum size of the badges must be 10 cm wide by 15 cm high. The fencer's number must be at least 8 cm high by 8 cm wide. At foil and épée only the self-adhesive badge of the competition taking place must be worn.

3. In both cases, the advertizing, words or badge, must be placed below the number and must not exceed 35 mm in height.

(c) General

The self-adhesive badge on the mask or the leg-band does not need to include a number and may be used only for advertizing.

CHAPTER V. PENALTIES

A. Individual contract (cf. Chapter III, sections A and B)

In the case of failure to observe the rules relating to an individual contract the penalty is the suspension of the fencer concerned. Should the fencer, at the end of the period of suspension, again break these rules, he loses his amateur status and his license is withdrawn. See the Disciplinary Code of the FIE (Chapter VII of the FIE Statutes).

B. Mark not conforming to the regulations (cf. Chapter IV, section A (b)1)

— Obligation to change immediately the article of equipment; and
— application of penalties as provided for in Articles t.114, t.118, t.120/3rd group.

C. Advertising on clothing (cf. Chapter IV, section C (b))

— Obligation to change immediately the article of equipment; and
— application of penalties as provided for in Articles t.114, t.118, t.120/3rd group or t.108.

D. Advertising not conforming to the Rules or not authorised (cf. Chapter IV, section C (c))

— Obligation to remove the offending article from view and application of penalties as provided for in Articles t.114, t.118, t.120, third group.

E. Leg-bands and self-adhesive badges (cf. Chapter IV, section D)

1. A fencer who refuses to wear the leg-band or badge, when its wearing has been duly announced beforehand, will be excluded from the competition and will not appear in the overall classification of the event.

2. If the leg-bands or badges do not conform with the rules, the organizers must withdraw them; if they fail to do so, they are liable to a fine of \$500, payable to the national federation. If it is a competition which counts towards the World Cup (Category A), the fine is US \$1500 to the FIE and the competition automatically loses its Category A status for the following year.

In the case of a repetition of the offense within the following five years, the fine is doubled and the competition will not appear on the International Calendar for three years.

F. Image advertising (cf. Chapter IV, section B)

(a) Penalties

1. The first offense concerning exploitation of the fencer's image other than by a properly drawn up contract is penalized by a warning from the national federation or the FIE.

2. The first repetition is penalized by a suspension of six months.

3. The second repetition is penalized by a suspension of one year.

4. Any subsequent repetitions are penalized by a suspension of two years for each offense.

(b) Offense

1. The fencer concerned is assumed to be at fault.

2. If the fencer denies his responsibility for the offense, he must give the FIE every authority to proceed with the necessary investigations and must cede to the FIE his rights to act against the party guilty of misuse of his image. If he does not, point 1 above automatically applies.

(c) Competence and procedure

1. The Disciplinary Commission of the FIE is the body of the FIE competent to deal with these matters - See the Disciplinary Code of the FIE (Chapter VII of the FIE Statutes).

2. The FIE will notify the National Federations of all penalties that have become definitive.

APPENDIX D TO THE MATERIAL RULES

SUPPLIMENT

USFA Rules for Repechage

1. Direct elimination table – composition

The promoted fencers' results from the qualifying pool will be written on a table that summarizes the number of bouts fenced, bouts won, touches scored and touches received by each fencer in each of those rounds. A seeding order of the qualified fencers will be established in the following way:

- a) The results written on the summary table will be added to determine the two necessary indicators.
- b) The first indicator, for the initial classification, will be obtained by dividing the number of victories by the number of bouts fenced (formula V/B).
- c) The fencer with the highest indicator (maximum 1.00) will be seeded first.
- d) In cases of equality in this first indicator, a second indicator (formula TS-TR, the difference between the total number of touches scored and the total number of touches received) will be established to separate tied fencers.
- e) In cases of equality of both the V/B and TS-TR indicators, the fencer having received the most touches will be the highest seed.
- f) In cases of absolute ties between two or more fencers, their places in the classification table will be decided by drawing lots.
- g) The bout committee will then establish the direct elimination table by placing, each fencer at the position in which his seeding order puts him, with the best classified fencer being put as No. 1, the next best as No. 2, and so on.
- h) In the case of a withdrawal before the direct elimination table has been established, it is the lowest place in the table (i.e. the 32nd, the 16th or the 8th) which must remain empty.

2. Organization of the bouts – format

- a) All the bouts of the direct elimination table will be fenced in the order of the table, beginning at the top and finishing at the bottom, up to Table C.

The direct elimination bouts for senior, junior and cadet events are for 15 touches, maximum 9 minutes, divided into three periods of three minutes, with a one minute rest between each period. As an exception, in saber, the first period ends either at the expiry of the three minutes or when one of the fencers has scored eight touches.

Direct elimination bout for youth events are two of three, five (5) touch bouts, three minutes maximum each, with a one-minute rest between each bout.

Each fencer may have one credentialed coach present, within the coach's zone, during the bout.

3. Repechage – principles, tables, organization of the bouts

The principles of the repechage are as follows:

– A fencer cannot be eliminated until he has been beaten twice, once in the direct elimination table and once in the repechage table.

– All bouts in the repechage table are fenced with the same format as in the direct elimination table.

a) In the first round of repechage (Table D), the sixteen fencers who were beaten in the first round of direct elimination (Table A) will fence in the order established by the latter.

b) The second round of repechage (Table E) will be a table of sixteen fencers: the eight fencers beaten in the second round of direct elimination (Table B), who will be placed in numbers 1-8, and the eight winners from the first round of repechage (Table D), who will be placed in numbers 9-16. The allotting of numbers 1-8 and 9-16 is done with respect to the original classification order of the 32 fencers who qualified. However, in drawing up this table of sixteen fencers, the bout committee must not take into account the nationality of the fencers but rather the possibility of bouts between the same two fencers being repeated. In a repechage table of 16 fencers, if one or more bouts that have already been fenced would be repeated, the fencer in such a bout who has the lower seeding number in his quarter of the table must change places with the fencer who, in the opposite quarter of the table, has the nearest seeding number to his. The changes will be made between quarter A of the table on the one hand and quarter B of the table on the other, and in the same way between quarter C and quarter D. The bouts in this second round (Table E) will be fenced in the order of the table to qualify eight fencers.

c) The third round of repechage (Table F) consists of the eight winners of the second round of repechage, who will fence among themselves, in the order of the table, to qualify four fencers for the fourth round of repechage.

d) The fourth round of repechage (Table G) will be a table of eight fencers consisting of the four losers from the direct elimination quarter-finals (Table C), who will be numbers 1-4 in Table G according to their original classifications, and the four winners from the third round of repechage (Table F), who will be numbers 5-8, also according to their original classification order. The bout committee must not take into account the nationality of the fencers in establishing Table G of 8 fencers, but rather the possibility of bouts being repeated, and must apply the same system of exchanging fencers as in the table for 16 fencers where repeating bouts occur. However, in a case where such an exchange would result in the repetition of another bout, there will not be an exchange. The bouts in Table G (fourth round of repechage) will be fenced in the order of the table to qualify four fencers.

e) In the case of withdrawal before the establishment of the repechage table, it is the lowest place in the table that remains empty.

The bouts of Table G (4th round of repechage) will be fenced in the order of the table to qualify four fencers who, with the four fencers qualifying in Table C of the direct elimination, will compete in the direct elimination final of eight fencers. In the case of a withdrawal before the repechage table has been established, it will be the lowest place in the table that must remain empty.

The direct elimination final of eight fencers

The order of the direct elimination table of eight fencers is determined on the one hand for the four fencers qualifying through the direct elimination Table C, who occupy places 1 to 4, based on the initial seeding order in the summary table of classification of qualified fencers; and on the other hand, for the four fencers qualifying through repechage Table G, who occupy places 5 to 8, based on the initial seeding order. In the establishment of this table, no account will be taken either of the nationality of fencers or of the repetition of bouts. In the case of a withdrawal before this table has been established, it will be the lowest place in the table that must remain empty. The bouts will be fenced according to the order of the table of eight, starting at the top, on a single strip.

If at the end of regulation time the scores are equal, the fencers fence for a deciding touch, with a maximum time limit of one minute. Before the fencing recommences the Referee draws lots to decide who will be the winner if scores are still equal at the end of the extra minute.

In this case the score recorded on the score-sheet is the real score achieved in the bout.

Classification of fencers

At official USFA competitions, all fencers must be ranked and all necessary bouts contested:

first and second places are determined by the final bout

fencers defeated in the second round of the finals place 3rd

fencers defeated in the first round of the finals place 5th through 8th

fencers defeated in Tables D, E, F and G are classified as follows:

the four fencers defeated in Table G place 9th through 12th

in a tableau of 16, the four fencers defeated in Table D place 13th through 16th

in a tableau of 32, the four fencers defeated in Table F place 13th through 16th

the eight fencers defeated in Table E place 17th through 24th

the eight fencers defeated in Table D place 25th through 32nd

Each group of fencers eliminated in the first round of the finals (5th – 8th) and in Tables D, E, F and G is classified within itself according to the original places of the fencers in the direct elimination tableau of 32 (or 16) fencers. If a fencer withdraws during the course of the direct elimination or repechage table, he retains his place as set forth above, as if he had lost his remaining bouts). The classification of fencers eliminated in the

elimination rounds will be determined, round by round, according to their indicators (V/B, TS-TR, TR) (Cf. 517). In the case of ties in indicators, the fencers will be classified as tied.

1) Competition formats

The competitions are organized according to a mixed format:

- one round of pools;
- direct elimination without repechage to 32 fencers;
- direct elimination with repechage from 32 to 8;
- final of 8 by direct elimination, consisting of 4 fencers from the direct elimination and 4 fencers from the repechage.

2) Pool Round

Pools will have six or seven fencers.

These pools will be seeded based on fencer's ranking.

- Bouts are fenced for 5 touches, 3 minutes.

A fencer who withdraws or is excluded is deleted from the pool, and his results are annulled as if he had not competed.

3) Qualification from Pool Round

– A single general classification is established for all of the participants in all of the pools (V/B, TS-TR, TS).

– Before the beginning of the competition, the bout committee will determine and announce the number of fencers to qualify for the direct elimination table. This number must be at least 2/3 and at most 4/5 of the participants (from 20% to 33 1/3% eliminated).

– In the case of an absolute tie between the last qualifiers, there will not be a barrage, and those who are tied will all qualify, even if they are in excess of the anticipated number

4) Direct elimination table – composition

– The table of 32, 64, 128 or 256 may be incomplete.

– The classification of the fencers will be based on the single preliminary round of pools.

– The application of the principle of protection of fencers of the same club/team cannot place a fencer in a position lower than the total number of qualified fencers.

However, in an incomplete table, a fencer who has earned a bye based on his or her classification may not be moved to a position in the table wherein he or she will face an opponent.

– The format will be single elimination until a complete table of 32 or 16 is reached, whereupon the repechage round will begin (see below.)

5) Progression of bouts in the direct elimination phase

All the bouts of the direct elimination table will be fenced in the order of the table, beginning at the top and finishing at the bottom, up to Table C.

The direct elimination bouts for senior, junior and cadet events are for 15 touches, maximum 9 minutes, divided into three periods of three minutes, with a one minute rest between each period. As an exception, in saber, the first period ends either at the expiry of the three minutes or when one of the fencers has scored eight touches.

Direct elimination bout for youth events are two of three, five (5) touch bouts, three minutes maximum each, with a one-minute rest between each bout.

Each fencer may have one credentialed coach present, within the coach's zone, during the bout.

6) Repechage

– A new table of 32 is not created; the initial table continues, carried out through the repechage.

– The repechage will only start with a complete table of 32, regardless of the size of the initial direct elimination table.

– In exceptional cases, the repechage may start with 16 fencers if the number of entries is too small to allow the formation of a complete table of 32.

7) Final of eight

The order of the direct elimination table of eight fencers is determined on the one hand for the four fencers qualifying through the direct elimination Table C, who occupy places 1 to 4, based on the initial seeding order in the summary table of classification of qualified fencers; and on the other hand, for the four fencers qualifying through repechage Table G, who occupy places 5 to 8, based on the initial seeding order. In the establishment of this table, no account will be taken either of

the nationality of fencers or of the repetition of bouts. In the case of a withdrawal before this table has been established, it will be the lowest place in the table that must remain empty. The bouts will be fenced according to the order of the table of eight, starting at the top, on a single strip.

If at the end of regulation time the scores are equal, the fencers fence for a deciding touch, with a maximum time limit of one minute. Before the fencing recommences the Referee draws lots to decide who will be the winner if scores are still equal at the end of the extra minute.

In this case the score recorded on the score-sheet is the real score achieved in the bout.

8) Sample elimination tables:

On these tables the numbers 1, 2, 3, etc., indicate the places to be assigned in order of merit according to the established seeding.



Official Scoresheet
Direct Elimination of 32
with repechage
 (page 1 of 2)

Tournament: _____
 Competition: _____
 Date: _____

Table D

Table A

Table B

Table C





Official Scoresheet
Direct Elimination of 32
with repechage
 (page 2 of 2)

Tournament: _____
 Competition: _____
 Date: _____

Losers of B

1.
2.
3.
4.
5.
6.
7.
8.

Winners of D

9.
10.
11.
12.
13.
14.
15.
16.

Table E

Table F



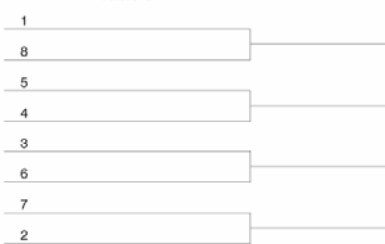
Losers of C

1.
2.
3.
4.

Winners of F

5.
6.
7.
8.

Table G



Winners of C

1.
2.
3.
4.

Winners of G

5.
6.
7.
8.

Table H - FINALS

Table I

Table J

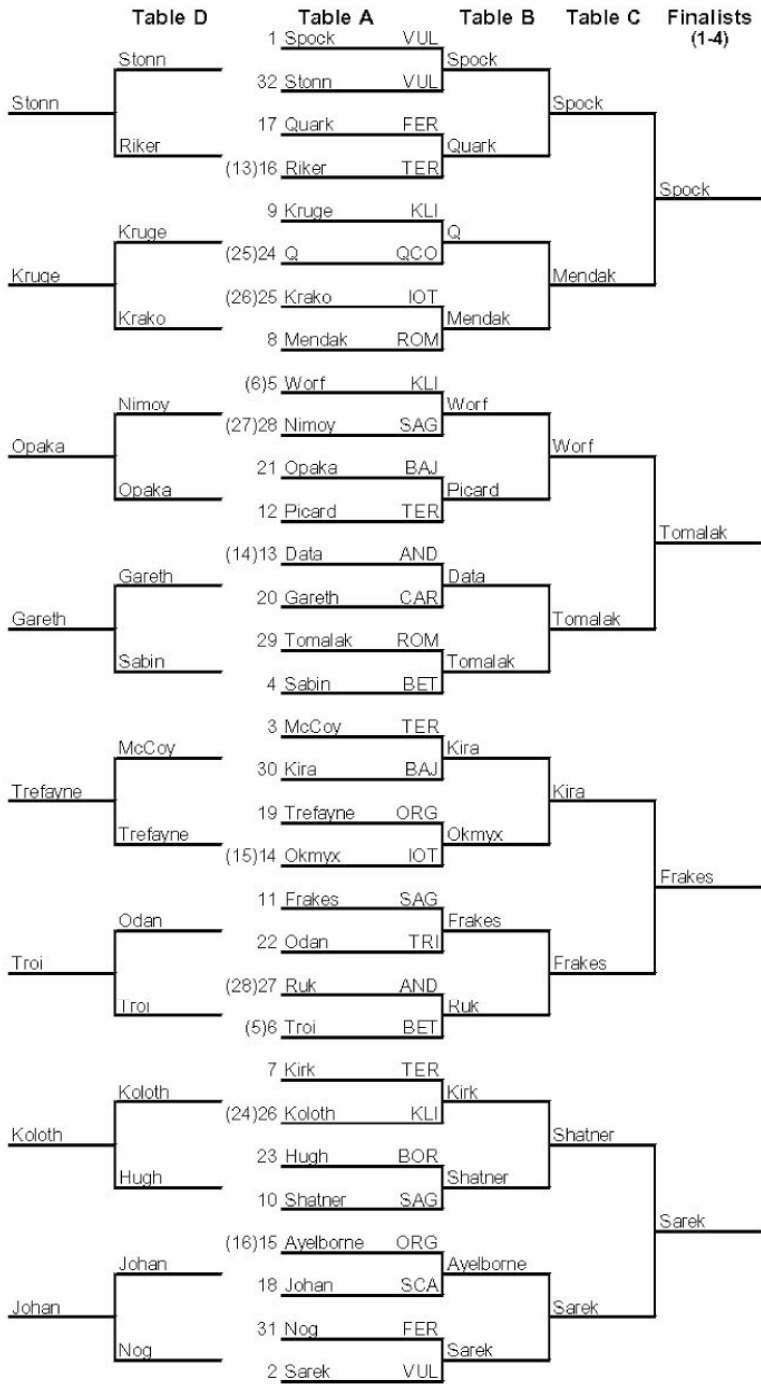


Rev 2004.07.02

<http://www.USFencing.org/Forms/Score/DE32REPp2.pdf>

Direct Elimination Table of 32 Fencers with Repechage

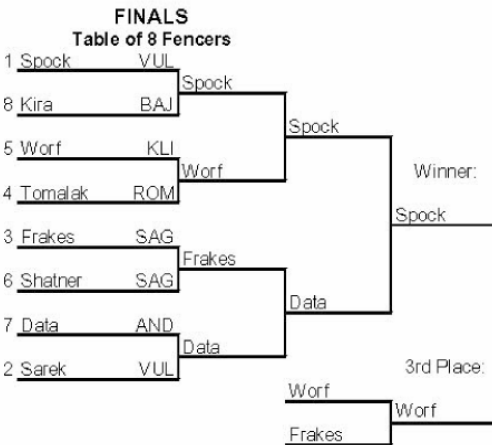
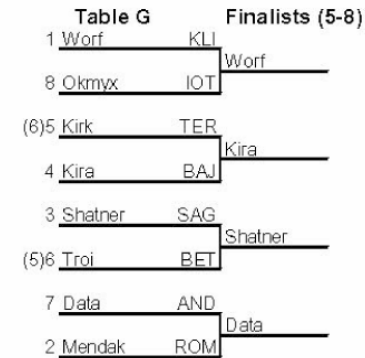
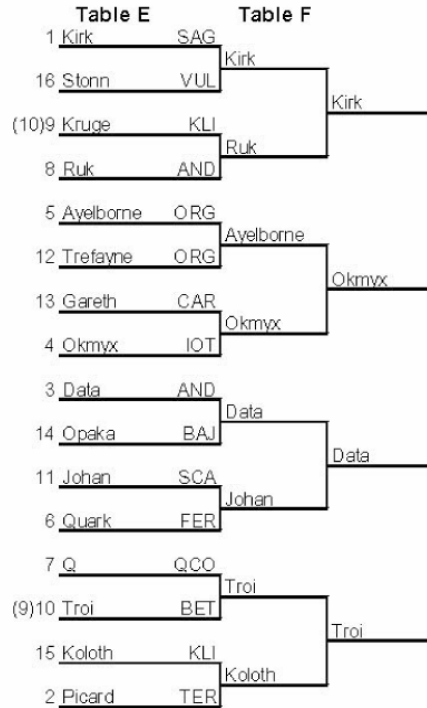
32 Fencers Qualified: Initial Seeding		
1	Spock	VUL
2	Sarek	VUL
3	McCoy	TER
4	Sabin	BET
5	Troi	BET
6	Worf	KLI
7	Kirk	TER
8	Mendak	ROM
9	Kruge	KLI
10	Shatner	SAG
11	Frakes	SAG
12	Picard	TER
13	Riker	TER
14	Data	AND
15	Okmyx	IOT
16	Ayelborne	ORG
17	Quark	FER
18	Johan	SCA
19	Trefayne	ORG
20	Gareth	CAR
21	Opaka	BAJ
22	Odan	TRI
23	Hugh	BOR
24	Koloth	KLI
25	Q	QCO
26	Krako	IOT
27	Nimoy	SAG
28	Ruk	AND
29	Tomalak	ROM
30	Kira	BAJ
31	Nog	FER
32	Stonn	VUL



Seeding into Table E		
Losers of B (1-8)		
1	Kirk	(7)
2	Picard	(12)
3	Data	(14)
4	Okmyx	(15)
5	Ayelborne	(16)
6	Quark	(17)
7	Q	(25)
8	Ruk	(28)
Winners of D (9-16)		
9	Troi	(5)
10	Kruger	(9)
11	Johan	(18)
12	Trefayne	(19)
13	Gareth	(20)
14	Opaka	(21)
15	Koloth	(24)
16	Stonn	(32)

Seeding into Table G		
Losers of C (1-4)		
1	Worf	(6)
2	Mendak	(8)
3	Shatner	(10)
4	Kira	(30)
Winners of F (5-8)		
5	Troi	(5)
6	Kirk	(7)
7	Data	(14)
8	Okmyx	(15)

Final Placings		
1	Spock	VUL
2	Data	AND
3	Worf	KLI
4	Frakes	SAG
5	Sarek	VUL
6	Shatner	SAG
7	Tomalak	ROM
8	Kira	BAJ



Explanations of sample DE Table:

Table A

To avoid placing two fencers of the same nationality in the same quarter of the table, the rule in article is applied.

Examples:

TROI (#5) is moved to #6 because there is already a fencer of her nationality (SABIN) in the second quarter of the table; WOLF (#6) takes the place of TROI.

RIKER (#13) is moved several places (finally he is placed in #16 in the first quarter of the table) as he cannot occupy places 13, 14 or 15 because of the fencers PICARD (second quarter of the table), MCCOY (third quarter of the table) and KIRK (fourth quarter of the table), who are all of his nationality.

Similarly, KOLOTH (#24) is moved to #26 in the fourth quarter of the table because of the presence of his countryman KRUGE in the first quarter. Q (#25) and KRAKO (#26) are each moved up one place.

NIMOY (#27) is moved to #28 to avoid being in the same quarter as his countryman FRAKES. RUK moves up to #27. The bout between countrymen SPOCK and STONN is unavoidable because STONN is the last in the table and cannot be moved.

Table E

For establishing Table E no account is taken of the fencers' nationalities, but rather the repetition of bouts.

This is why TREFAYNE and AYELBORNE (ORG) must meet each other. On the other hand, TROI (#9) must be placed in the adjacent number (#10) in the corresponding table because she has already fenced against RUK (see Table A). KRUGE (#10) takes place #9.

Table G

As in Table E, repetition of bouts must again be avoided. Because of this KIRK (#6), who has already met SHATNER (see Table B) is moved to the adjacent number (#5) in the corresponding

quarter of the table.

Finals

In establishing the final table, no account is taken of either the fencers' nationalities (FRAKES/3 – SHATNER/6) or bouts that are repeated (WOLF/5 – TOMALAK/4).

INDEX

Numbers refer to articles of the Rules.

Numbers preceded by 'PC' refer to sections of the Fencers' Publicity Code (Suppliment).

- Abandon: see «Withdrawal»
Abnormal movement: t.22, t.72, t.120
Absence of check marks on material: t.45, t.120
Accident: t.33, t.120, o.44
Accidental cause: t.29, t.54, t.68, t.73, m.25
Accompany, persons who: t.96
Accumulators: see «Source of current»
Action: t.6ss, t.16, t.56
Action (abnormal): t.87, t.120
Action (simultaneous): t.60, t.80
Action (vindictive, violent): t.63, t.87, t.103, t.105, t.120
Adjusting apparatus: Suppliment B
Adjusting épée point: m.19
Advertizing (worn, carried): PC IVC, VC, VD
Advice (giving): t.82
Age of participants: o.55, o.76, o.87
A Grade competitions: see «World Cup»
A Grade competitions (score-board): m.60
A Grade referee: o.78, o.83, o.88
Alcohol: t.130
Analysis of the fencing phrase: t.42
Announcement (change of member of team): o.44
Announcement (number of fencers in the final): o.27
Announcement (number of fencers promoted from pools): o.18
Announcement (penalties): t.113
Annual championships: o.65, o.73
Annulment of touch: see «Touches (annulment)»
Antiblocking: Suppliment B
Apparatus: t.32, t.35s, t.40s, t.50ss, t.64ss, t.73, o.83, m.44ss
Apparatus (approval, homologation): see «Approval of apparatus»
Apparatus (audible): see «Audible signal»
Apparatus (characteristics): m.48, m.51ss, Suppliment B
Apparatus (checking): m.42, m.54, m.56
Apparatus (number): m.52
Appeals (against a decision): t.95ss, t.122s, o.62
Appeals (against composition of first round): t.123
Appeals (deadlines): t.87, t.122, t.123
Appeals (formulated by): t.90, t.122
Appeals (unjustified): t.120, t.122
Approval of apparatus: m.46ss, m.54
Arm (extending, straight): t.7, t.10
Arm (non-sword): t.22, t.120
Assault: t.2
Assembly (bodycord): m.29, m.31, m.35, m.55
Assembly (mesh of mask): m.27, Suppliment A
Assembly (weapons): m.2, m.5, m.8, m.16
Attachment (on handle): t.16, m.44s
Attack: t.7s, t.56ss, t.75ss
Attribution of Technical Directory: see «Technical Directory»
Attribution of referees: see «Referee (attribution)»
Audible signal: t.32, m.45, m.51, Suppliment B
Auxiliary personnel: o.7
Avoid a touch: t.20, t.28, t.63, t.120
Awarding of touch not recorded: t.104, t.120

Back: see «Surface», «Turn back on opponent»
Back of blade: t.70
Badges, self-adhesive: PC IVD, VE
Band (non-conductive on conductive jacket): m.28

Barrage: see «Tie (equal scores)»
Base of button: m.12, m.13, m.19, m.20
Bend of blade: m.8, m.16, m.23
Bib: m.25, m.30, m.32, Suppliment A
Black Card: t.114, t.118ss
Blade: t.70, m.1s, m.8, m.16, m.23
Blade (areas of insulation): t.68
Blade (bend): see «Bend of blade»
Blade (broken): t.54, t.68, t.73
Blade (button): see «Button (on weapons)»
Blade (flexibility): see «Flexibility of blade»
Blade ('foible' and 'forte'): t.78
Blade (mere contact of): t.56, t.60, t.76, t.80
Blade (norms of manufacture): Suppliment A
Blade (wire in groove): m.10, m.18
Blocking the scoring apparatus: t.32, t.53, Suppliment B
Bodycord: t.44s, t.68, t.86s, t.120, m.2, m.5, m.24, m.29, m.31, m.35s, m.38, m.42, m.44, m.55
Bout: t.2
Bout (beginning, stopping, restarting): t.18
Bout (score-sheet): t.87, o.7, o.24
Bout (duration): see «End of bout», «Time (of bout)»
Bout (end): see «End of bout», «Equality (score at end of time)», «Number of touches», «Score»
Bout (interruption): o.16
Bout (number): o.19; see also «Indices»
Bout (number of touches): see «End of bout», «Equality (score at end of time)», «Number of touches», «Score»
Bout (order): o.14ss, o.26, o.44
Bout (for third place): o.34, o.41, o.46
Bout (rest between): see «Time (between bouts)»
Bout (timetable): o.22
Technical Directory: t.23, t.33, t.3ss, t.83, t.87, t.96, t.97, t.99, t.113, t.115, t.118, t.122s, t.128s, o.5, o.13, o.15s, o.18, o.27, see «Directoire Technique»
Breaking contact: m.5, m.11
Breast protector: see «Protection»
Breeches: m.25, PC IVA
Broken blade: t.54, t.68, t.73
Brutality: t.63, t.87, t.120
Buckles on clothing: m.25
Button (base of): m.12, m.13, m.19, m.20
Button (on weapons): m.2ss, m.8, m.10ss, m.16ss, m.23

Cables (connection): m.44, m.51, m.55s
Cables (suspended): m.44
Cadets: t.1, o.35, o.39, o.48, o.55, o.57, o.73ss
Calendar of World Cup competitions: o.80, o.82
Calling (bouts): o.26
Calling (fencers — initial): t.17, t.35, t.86, t.120, o.31, o.33, o.87
Candidates, championships/competitions: o.66, o.69, o.74, o.80
Card (Yellow, Red, Black): see «Penalties», «Yellow Card», «Red Card», «Black Card»
Category A (competitions): see «A Grade competitions», «World Cup»
Censure: t.110, t.127
Central Office of the FIE: t.94, t.129, o.4, o.63, o.69, o.84, o.90
Championship: t.5
Change (in order of bouts): see «Bout (order)»
Change (of ends — judges): t.36
Change (of hand, weapon): t.16
Characteristics of weapons: see «Weapon»
Checking (equipment): t.35, t.43ss, o.8, o.10, o.72, m.25, m.36ss, m.54; see also «Gauge», «Weapon», «Weight»
Checking (of apparatus): see «Apparatus (checking)»
Check marks: m.41ss

Circulation around strips: t.90, t.92
 Circumstances outside control: o.33, o.44, o.80
 Classification: see «Indices»
 Classification (after the pools): o.19, o.21, o.32
 Classification (FIE): o.13, o.31s, o.90ss
 Classification (general): o.25, o.28, o.34, o.41
 Classification table: o.19, o.21
 Classification (teams): o.43, o.46
 Clock: t.30, t.32, o.23, m.44, m.51
 Close quarters: t.19
 Clothing: t.15, t.35, t.43ss, t.120, m.25ss, m.37ss, Supplement A
 Clothing, advertising on: PC IVC, VC
 Collar: m.25, m.28, m.34
 Collision: t.87
 Collusion: t.88, t.105, t.120
 Coming on guard: t.14, t.17, t.24s, t.28
 Commuting penalty: t.128
 Competition formula: o.11ss, o.42ss
 Competitions: t.1, t.4, o.1ss
 Competitions (A Grade): see
 «World Cup»
 Competitions (individual): o.11ss
 Competitions (official FIE): o.48ss
 Competitions (team): o.42ss
 Composition: see «Team», «Pool»
 Compound (actions): t.8, t.56, t.58ss, t.75, t.77, t.80
 Conductive wires (bodycord): m.29, m.31, m.35
 Conductive strip: t.54, t.67ss,
 m.29, m.44, m.51, m.56, m.57, Supplement B
 Confirmation of participation: o.31, o.33, o.87
 Confiscating defective equipment: t.45
 Confused fencing: t.18, t.54, t.87
 Congress of FIE: see «FIE Congress»
 Conical sprung instrument: see «Mesh of mask»
 Contact, electrical: t.53, t.120, m.5, m.11, m.13, m.19, m.29, m.32s, m.51,
 Supplement B
 Continental zone: o.86, o.89, o.91
 Contract, exploitation of image: PC II, III, VA
 Contract, wearing publicity material: PC IVAss, VC
 Contract, position of fencer: PC IIC, VA
 Control (doping): see «Testing (dope)»
 Control by FIE: o.63, o.69, o.72, o.78
 Control by referee: t.96
 Control (fencers' equipment): see «Checking (equipment)»
 Conventional weapons: t.42
 Conventions (foil): t.46ss
 Conventions (épée): t.61ss
 Conventions (sabre): t.70ss
 Corps à corps: t.20, t.24s, t.63, t.104, t.120
 Counter-attack: t.8
 Counter-riposte: t.7
 Counter-time: t.8
 Coup double: t.60, t.64, t.68, t.80, o.17
 Coupé: see «Cutover»
 Coup lancé: t.18, t.26, t.32, t.53, t.66, t.73
 Courtesy: t.82, t.87, t.122
 Covering the valid target: t.22s, t.72, t.120; see also «Surface»
 Criteria for World Cup: see «World Cup»
 Criticising referees/judges: t.82
 Crocodile clip: m.29, m.32, m.34
 Cross-bar: m.4
 Crossing legs (sabre): t.56, t.75, t.120
 Crossing limits of strip: t.26ss, t.120
 Curve in blade: m.8, m.16, m.23
 Cushion: see «Padding (guard)»
 Cutting edge (touch with the): t.70, t.79
 Cutting off the apparatus: t.32, Supplement B
 Cutover: t.8, t.56, t.76
 Cuts: t.70
 Dangerous fencing: t.18, t.87, t.120
 Deadlines (communication of World Cup competition dates): o.80
 Deadlines (equipment checking/displaying first round): o.10
 Deadlines (fixing World Championship venue): o.65
 Deadlines (presenting competition candidatures): o.66, o.74, o.80,
 o.89
 Deadlines (sending out invitation/pre-program): o.50s
 Deadlines (entries): o.52ss, o.87
 Deciding touch: o.17, o.24, o.44
 Decision (regarding point of fact): t.122
 Decision (attempt to influence): t.82, t.93
 Defective equipment: t.45, m.38, Supplement A; see also «Failure»
 Defence (right of): t.124
 Defend personal chance: see «Utmost ability (fence to)»
 Defensive actions: t.6s, t.9; see also «Parry»
 Delayed (riposte): t.8, t.60, t.80
 Delegates — SEMI: see «SEMI Committee»
 Delegates — FIE Medical Committee: t.33, t.129, t.130, o.44, o.69
 Delegates — FIE Refereeing Committee: t.37, t.38, o.69; see also
 «Refereeing»
 Deposit of guarantee: t.95, t.129
 Dérobement: t.56, t.60, t.76, t.80
 Design of weapons: m.3ss; see also «Epée», «Foil», «Sabre»
 Device (safety): see «Safety device»
 Dimensions (weapons): m.3, m.7s, m.15ss, m.21ss
 Dimensions (strip): see «Strip»
 Direct elimination: o.21ss, o.29ss, o.35ss, o.43
 Direct elimination table: see «Table (direct elimination)»
 Direction of the bout: t.35, t.96
 Directoire Technique: o.31, o.39, o.56ss, o.69, o.72, o.78, o.85, m.12,
 m.20
 Disarming: t.18
 Disciplinary authorities: t.94ss
 Disciplinary procedure: t.121ss
 Disciplinary offenses: t.101, t.106ss
 Discipline: t.82, t.89, t.94, t.101, t.120, t.127
 Disengagement: t.8, t.56, t.76
 Disorderly fencing: t.87
 Display (decisions of the Technical Directory): o.60
 Display (pools, direct elimination, scores): o.7, o.10, o.22, o.60
 Displacing target: t.21; see also
 «Extension (of the valid surface)»
 Disqualification: t.85, t.96, t.101, t.109, t.120, t.126, t.127
 Disturbing good order: t.82s, t.93, t.118, t.120
 Distance (on-guard): t.17
 Doctor: t.33, t.120, t.129s, o.83
 Doing up (jacket and collar): m.25
 Doping: t.129, o.64, o.83
 Double touch: t.60, t.64, t.68, t.80, o.17
 Doubtful (touch): t.54, t.68, t.73
 Dragging point on conductive strip: t.46, t.61, t.120
 Drawing lots (individuals when indices equal): o.19, o.31ss
 Drawing lots (teams): o.43s
 Drawing lots (order for pool sheet/match): o.13, o.44
 Drawing lots (to decide winner if scores equal): o.17, o.24, o.44
 Drugs: see «Doping»
 Ducking: t.21
 Duration of bout: t.30; see also «End of bout», «Time (of bout)»
 Duration of contact: see «Contact»
 Eccentric mounting: m.9, m.17
 Edges, sharpening: m.1
 Electrical current: see «Source of current»
 Electric opposition: Supplement B
 Enclosure: see «Strip enclosure»

End of bout: t.32, o.17, o.24, o.44, t.18
 Entries: o.9, o.50ss, o.67, o.75, o.86ss
 Entry form: o.52ss
 Epée: t.42ss, t.61ss, t.120, m.1, m.4s, m.14ss, m.30ss, Supplement A, Supplement B
 Equality (of indices): o.19, o.31ss
 Equality (of points): o.43, o.91
 Equality (of ranking): o.31
 Equality (score at end of time): o.17, o.24, o.44
 Equipment (advertising on): PC IVD, VD
 Equipment (of fencers): t.15, t.35, t.43ss, t.54, t.68, t.73, t.86, m.25ss, m.36ss, Supplement A
 Equipment (checking): o.8, o.10, o.72
 Equipment (organization): o.49
 Equipment (failure): see «Failure»
 Equipment (non-regulation): t.45, t.120
 Etiquette (fencing): t.87
 Exclusion (fencer): t.86s, t.96, t.101, t.105ss, t.114, t.118ss, t.127, o.44
 Executive Committee: t.85, t.94, t.97, t.99, t.128, o.48, o.57, o.66, o.68s, o.71s, o.77s, o.80, o.84, m.40
 Exemptions: see «Seeding»
 Experts (electrical equipment): t.35, t.44s, t.68, t.73, o.7
 Expiry of time: t.32; see also «Equality (score at end of time)», «End of bout», «Time (of bout)»
 Expulsion: t.83, t.96, t.101, t.108, t.114, t.118, t.120
 Extension (lamps): m.59
 Extension (of the valid surface): t.49
 Extension (of the penalty): t.97
 Extra minute: see «Equality (score at end of time)»

Failure (of clock): t.32
 Failure (of electrical material): t.54, t.68, t.73, t.103
 Failure (to appear on time): t.86, t.120
 Fall, flèche ending in: t.87
 Falsification of equipment: t.45, t.120
 Favouring an opponent: t.88, t.120
 Feint: t.56, t.58, t.60, t.75ss
 Fencers (obligations of): t.84ss; see also «Obligation(s)»
 Fencing: t.16ss
 Fencing bag: PC IVA, IVC
 Fencing (beginning, stopping, restarting): t.18
 Fencing (close quarters): t.19
 Fencing (confused): t.18, t.54, t.73
 Fencing (dangerous/violent): t.18, t.87, t.120
 Fencing etiquette: t.87ss
 Fencing (incorrect/unsporting): t.87, t.120
 Fencing (respect of phrase): t.56ss, t.75ss
 Fencing (time): t.6, t.8, t.59, t.60, t.77, t.80
 FIE Congress: t.95, t.97, t.100, t.128, o.65s, o.74, o.80
 FIE Observer: t.39, o.84, o.88
 Field of play: see «Strip»
 Filing blade: m.1
 Finals (of competitions): o.10s, o.27, o.83
 Finals (referees, judges): t.36s
 Finals (time-keeper): t.30, t.32, t.42
 Finals (presentation of fencers for equipment checking): t.44
 Fine: o.33, o.88
 Fittings: m.44ss
 Flange (collar): m.13, m.19
 Flèche: t.7, t.21, t.25, t.28, t.56, t.63, t.75, t.87, t.104, t.120
 Flexibility of blade: m.2, m.8, m.16, m.23, m.42
 Foil: t.19s, t.22, t.43s, t.46ss, t.104, t.120, o.48, m.1, m.4, m.6ss, m.26ss, m.42, m.51, Supplement B,
 Follow the phrase: t.19
 Forbidden: t.120
 Forbidden substances: see «Doping»
 Forbidden (changing hand during the bout): t.16, t.120
 Forbidden (doping): t.120, t.129

Forbidden (flèche and forward movement crossing legs at sabre): t.75, t.120
 Forbidden (give advice): t.82, t.120
 Forbidden (hindering tests to detect a fault in the equipment): t.35, t.120
 Forbidden (touching with guard): t.70, t.120
 Forbidden (irregular actions): t.87, t.120
 Forbidden (leave the strip without permission): t.18, t.120
 Forbidden (place non-insulated part of weapon on conductive jacket at foil): t.53, t.120
 Forbidden (protection or substitution of valid target at foil and sabre): t.22, t.120
 Forbidden (pushing or letting drag the point): t.46, t.61, t.120
 Forbidden (reversing line of shoulders at foil): t.46, t.120
 Forbidden (smoking in competition halls): t.82, t.120
 Forbidden (straightening weapon on strip): t.46, t.61, t.70, t.120
 Forbidden (turning back on opponent): t.21, t.120
 Forbidden (undressing on the strip): t.87, t.120
 Forbidden (use of non-sword hand and arm): t.22, t.120
 'Force majeure': o.33, o.44, o.80
 Fortuitous circumstances: t.29, t.54, t.68, t.73, m.25
 Frequency of championships: see «Annual championships»
 Frivolous appeal: t.95
 Functions of the Referee: see «Referee»

Gaining ground: see «Ground gained/lost»
 Gauge: m.4, m.9, m.17, m.24, m.42s
 Gauntlet: m.25, m.33
 Glove: m.4, m.25, m.26, m.33, Supplement A, PC IVA
 Grand Prix (competitions): o.79, o.82, o.84, o.91
 Grand Prix (nations): o.92
 Grinding of blade: m.1
 Grip: t.16, m.2, m.4, m.13, m.24
 Groove: m.8, m.10, m.12, m.18, m.20
 Ground gained/lost: t.24ss, t.28, t.102
 Ground judges: see «Judges»
 Guaranty (deposit): t.95, t.129
 Guard: m.1ss, m.5, m.9, m.17, m.24, m.42, Supplement B; see also «Placing on guard», «Replacing on guard»
 Guard (touching with at sabre): t.70, t.120

Halt: t.18, t.21, t.24, t.26, t.28, t.30, t.32, t.46, t.53, t.61, t.63, t.66, t.87, t.120
 Hand (injured/holding weapon): t.16
 Hand (judges): see «Judges»
 Hand (non-sword): see «Use of non-sword hand/arm»
 Handle: t.16, m.2
 Hindering tests to detect faults: t.35

Image (exploitation of): PC IVB, VF
 Immediate (touch): t.26
 Impartiality (referees and judges): t.34, t.91
 In line: see «Point in line»
 Incorrect (fencing): t.87, t.120
 Indices: o.18s, o.32s, o.40, o.43
 Individual: see «Competitions (individual)»
 Influence decisions, referees and judges (attempt): t.82, t.93
 Injury: t.16, t.129, o.44, o.54
 Insulating sheath: m.5, m.29, m.31
 Insulation: t.43, m.5, m.13, m.19s, m.24, m.27, m.28s, m.31, Supplement B
 Insult (referee, judge): t.82
 Integrity: t.82, t.87, t.105, t.120, t.129
 Interruption of a bout: t.31, t.120, o.16
 Intervention of Technical Directory: t.97, t.115
 Investigation: t.124
 IOC: t.98, t.113, t.129
 Irregular movements: t.87; see also «Violent fencing»

Irregularities in equipment (deliberate): t.45/3, t.120

Jacket (conductive): t.44s, t.53, t.120, m.13, m.27ss, m.28s, m.31s, m.34, m.36, m.38, m.42, m.51, Supplement B; see also «Insulation»

Jacket (fencing): t.44, m.25, Supplement A

Jamming the apparatus: t.53, Supplement B

Jostling: t.87, t.120

Judges: t.23, t.35, t.36, t.40, t.49, t.82, t.84, t.91

Judging (touches): t.40ss, t.50ss, t.64ss, t.73ss

Junior World Championships: see «World Championships»

Jurisdiction (principle of): t.95, t.121

Label of safety/guarantee: t.44, m.37, Supplement A

Lamé: m.28, m.34

Lamps: t.35, m.44, m.51, m.59, Supplement B

Lap: t.30, o.44

Leaving strip: t.18, t.86, t.120; see also «Crossing limits of strip»

Left-hander: t.17

Leg-badge: PC IVD, VE

Length of strip: see «Strip»

Length of weapons: see «Dimensions (weapons)»

Licence: o.2, o.6

Lighting stroke: m.11, m.19

Limits of strip: see «Strip», «Crossing limits of strip», «Lines on strip»

Line: see «Point in line»

Lines on strip: t.13s

Location (for instructors, trainers, technicians): t.92

Location (of fencers, judges): t.17, t.23, t.36

Localisation of a fault in equipment: t.54, t.68, t.73

Locking nut (blade): m.2, m.3

Loss of ground: see «Ground gained/lost»

Lunge: t.7, t.56, t.75

Mains electricity: m.51, m.60

Manifest cheating with equipment: t.45, t.120

Marks (manufacturer/seller): PC IVA, VB

Marks (check marks): see «Checking»

Mask: t.43s, t.87, t.120, m.25, m.27, m.30, m.32, m.37s, m.42, Supplement A, PC IVA

Masters: o.90

Match: t.3, o.42, o.44

Material: m.25ss, m.37ss, m.42, m.44, m.57; see also «Bodycord», «Checking (equipment)», «Guard», «Mask», «Weapon»

Materiality of touches: t.40ss, t.51, t.65, t.73

Medical delegate: t.33, t.129s, o.44, o.69

Mesh of mask: m.25, m.27, m.32, m.42, Supplement A

Method (of fencing): t.87

Method (of holding weapon): t.16

Method (of decision): t.125

Modification to Rules: t.1

Modification of order of bouts: t.33, t.86, t.120, o.14s, o.44

Name on back: PC IVC

Nationality of fencers: o.13, o.15, o.21

Neutralise: see «Insulation»

Neutrality: see «Referee», «Judges»

Non-regulation equipment: t.45, t.120

Non-presentation: t.86, t.120

Noticeboard: o.60

Number of participating countries (minimum): o.83

Number of fencers: see «Entries», «Team», «Quotas (of fencers for World Cup competitions)»

Number of touches: t.30; see also «Touches»

Obedience: t.82, t.84, t.120

Obligation (to confirm participation): o.31, o.87

Obligations (of organizers): o.7ss, o.48ss, o.64, o.66, o.69, o.72, o.78, o.81ss

Obligations (of Technical Directory): o.58, o.60ss

Obligatory application of Rules: t.1

Observer (FIE): t.39, o.84, o.88

Offences: t.115ss; see also «Forbidden»

Offensive actions: t.7s, t.56

Official delegate: t.83

Official competitions of FIE: t.1; see also «World Cup», «World Championships», «Olympic Games»

Olympic Games: t.1, t.37s, t.44s, t.98, t.113, t.123, o.4, o.9ss, o.42ss, o.48, o.57, o.61, o.65, o.90s, o.93

On guard: t.14, t.17, t.24s, t.28, t.60, t.80, m.25

Open World Championships: see «World Championships»

Openings in equipment: m.25

Order, disturbing good: t.82ss, t.120

Order of bouts: o.14ss, o.26, o.44

Organization of competitions: o.3ss, o.58, o.66, o.74, o.82, o.89

Organizing Committee: t.43, t.83, t.89, t.98, t.113, t.130, o.3, o.7, o.49, o.51, o.53s, o.71s, m.11, m.19, m.40, m.42, m.52s

Orthopaedic (handle): t.16, m.4

Padding (guard): m.2, m.5, m.24, Supplement A

Pardon: t.128

Parry: t.7, t.9, t.57, t.79

Participants: see «Entries», «Quotas (of fencers for World Cup competitions)»

Passing opponent: t.21

Penalties: t.96ss, t.101ss, t.114ss, t.121ss, PC V

Penalties (fencing): t.102ss

Penalties (disciplinary): t.106ss

Penalties (pardon, remission): t.128

Penalties (table of): t.120

Penalties (types): t.114ss

Penalties (financial): o.33, o.88

Period (direct elimination bout): t.17, t.30, t.36, o.23

Permanent suspension: t.101, t.112, t.127

Permission to leave strip: t.18

Phase: o.31ss

Strip: t.11ss, t.26ss, t.54, t.67ss, t.120, o.33, o.58, o.83, m.29, m.44, m.51, m.56, Supplement B; see also below, and «Crossing limits of strip», «Ground gained/lost»

Strip enclosure: t.90, t.92

Strip (place nearby for instructors, trainers, technicians): t.92

Strip (straightening weapon on): t.46, t.61, t.70, t.120

Placing on guard: t.14, t.17

Plastron (conductive): see «Jacket (conductive)»

Plastron (protective): see «Under-plastron»

Pledge of honour (referees and judges): t.34

Pledge of honour (fencers): t.84

Plug (bodycord): t.44, t.68; see also «Bodycord»

Plugging in of bodycord: t.44, t.68, m.5, m.24, m.29, m.31, m.35, m.55

Podium (strip): m.57, m.59

Point in line: t.10, t.56, t.60, t.76, t.80

Pointe d'arrêt (button): t.43, t.45, m.2, m.10s, m.13, m.23, m.29, m.19, m.31, m.38, m.42, Supplement A

Points: see «Scale of points»

Pommel: m.2, m.13, m.24

Pool: o.10, o.12ss, o.18, o.28, o.32, o.39s, o.83

Position of fencers in pools: see «Order of bouts», «Pool»

Posting (of pools, direct elimination): o.10, o.22, o.60

Pre-Olympic competition: PC I

Presentation on time: t.86, t.120

President of jury: see «Referee»

Pressure on pointe d'arrêt: m.11, m.19; see also «Weight»

Priority of touch: t.42, t.52, t.54ss, t.74ss
 Prize winners: o.90s
 Problem: o.60
 Procedure for checking the equipment by the Referee: t.44
 Program of events: o.48, o.49
 Promotion (Committee): o.80s, o.84
 Protection (safety): m.25, Supplement A
 Protection (of the valid target): t.22, t.23, t.120
 Protective plastron: t.44, t.45, m.25, Supplement A
 Protest (procedure): t.123
 Protests: see «Appeals»
 Prototypes of apparatus: m.47, m.53
 Publicity code: PC Iss
 Punctuality: t.86, t.120
 Pushing point on the strip: t.46, t.61, t.120

Qualification of fencers: o.11, o.18s, o.28, o.32, o.40
 Quarter (of direct elimination table): o.26, o.33, o.40
 Quotas (of fencers for World Cup competitions): o.86, o.90

Rankings: o.89ss
 Red Card: t.114, t.116ss, t.120
 Redoublement: t.8, t.60, t.80
 Referee: t.5, t.30, t.34ss, t.44, t.54, t.68, t.73, t.91, t.96, t.115, t.122, o.7, o.16s, o.24, o.44, o.72, o.83, o.88
 Referee (attribution): t.37s, o.6, o.58, o.68, o.72, o.77, o.84
 Referee (checking): t.35, t.43ss
 Referee (judging of touches): t.40ss, t.51ss, t.65ss, t.73ss, t.96
 Refereeing (Committee): o.68, o.72, o.77ss
 Refereeing (delegates): o.58, o.72, o.78
 Refusal (to award a touch): t.18, t.20ss, t.26ss, t.32, t.41, t.45s, t.53s, t.60, t.66ss, t.70, t.75, t.80, t.87, t.103, t.114, t.120
 Refusal (to fence an opponent): t.85
 Refusal (to obey): t.82, t.84, t.120
 Regional games: o.70ss
 Registration of touches: t.51ss, t.65ss, t.73, m.39, m.45ss, Supplement B
 Regularity of apparatus: Supplement B
 Relay: o.44
 Remise: t.8, t.60, t.80
 Remission of penalty: t.128
 Repairer (electrical equipment): o.7
 Repechage: Appendix D
 Repetition of offence: t.127; see also «Penalties»
 Replacing fencer: t.33, o.42, o.44, o.89
 Replacing referee, judge: t.91
 Replacing on guard: t.17, t.21, t.24s, t.28, t.54, t.60, t.80
 Reprise of attack: t.8, t.60, t.80
 Reserve: o.42, o.44, o.89
 Re-setting switches: m.51
 Resistance (clothing/bib/mask): m.25, m.42
 Resistance (electrical — ohms): m.5, m.24, m.28s, m.31, m.32, m.42, m.53, m.55, m.57, Supplement B
 Respect of the fencing phrase: see «Fencing (respect of phrase)»
 Responsibility of fencers: t.15, t.87, t.90
 Rest: o.16, o.23, o.26; see also «Time (between bouts)»
 Restarting bout: t.18, t.54, t.68, t.73
 Result: see «Score»
 Retirement: see «Withdrawal»
 Retreat: see «Ground gained/lost»
 Reversing line of shoulders (foil): t.46
 Right of defence: t.124
 Right-handed: t.17
 Riposte: t.7s, t.57s, t.60, t.77ss, t.80
 Round (direct elimination table): o.26, o.28, o.33, o.46, o.91
 Round (pools): see «Pool»

Sabre: t.19, t.20, t.22, t.44, t.70ss, t.120, o.48, m.1, m.4, m.5, m.21ss, m.32ss, Supplement A, Supplement B

Safety: t.15, m.1, m.25, Supplement A
 Safety device: t.68, m.55
 Salute (fencer's): t.87, t.120
 Scale of points: o.89ss
 Score: o.17, o.24, o.44
 Score (sheet): t.87, o.7, o.13, o.15, o.17, o.24, o.44, o.58
 Score-board (for finals): o.7, m.60, Supplement C
 Scorers: t.35, o.7
 Section (of blades): m.8, m.16, m.23
 Seeding: o.31ss, o.39, o.91
 Seeking corps à corps: t.20, t.63, t.120
 SEMI (Committee): t.44, t.54, t.68, t.73, o.69, o.72, o.78, o.83, m.11s, m.19s, m.28s, m.33, m.36, m.39s, m.46ss, m.52ss, Supplement A, Supplement B
 Sensitivity (apparatus): Supplement B
 Sharpening edges of point: m.1
 Sheath (insulating): m.5, m.19, m.29, m.31
 Shoulders: t.46
 Simultaneous action: t.60, t.80
 Signals (visual): m.45, m.51, Supplement B
 Signals (audible): t.32, m.45, m.51, Supplement B
 Signatures of fencers: t.87
 Signs (names of fencers): o.83
 Simple actions: t.8s, t.56s, t.60, t.75, t.79s
 Socket for bodycord: m.2
 Socks (publicity on): PC IVA
 Solder: m.12, m.20, m.24, m.29, m.32, Supplement A
 Source of current: m.44, m.49, m.51, m.58, Supplement B
 Special consideration: t.128
 Special device (handle): t.16, m.4
 Specialist (personnel): o.7; see also «Experts (electrical equipment)»
 Specification ('Cahier de charges'): o.49, o.66, o.82s
 Spectators: t.81, t.93, t.96, t.108
 Reels: t.21, m.24, m.29, m.44, m.46, m.55s
 Sports bag: PC IVA
 Sportsmanship: t.82, t.101, t.120, t.127
 Springs (electric points): see «Weight»
 Starting bout: t.18, t.87
 Stateless: o.15
 Stay of execution: t.126
 Stimulants: see «Doping»
 Stop touch: t.8, t.59, t.60, t.77, t.80
 Stopping bout: see «Interruption of a bout»
 Straightening blade on the strip: t.46, t.61, t.70, t.120
 Stretching device for strip: m.57
 Strip: see «Strip»
 Substitution of a team member: o.44
 Substitution of target: see «Valid target»
 Superintendent of the apparatus: o.7
 Surface: m.3, m.5, m.12, m.20, m.25
 Surface (conductive jacket): m.28, m.34, Supplement B
 Surface (non-valid): t.48s, t.72
 Surface (valid): see «Valid target»
 Suspension (decision/penalty): t.95
 Suspension: t.101, t.111s, t.120, t.126s, t.129, PC VD, VF

Table (direct elimination): o.11, o.21ss, o.32ss, o.43, o.58
 Take hold of electrical equipment with non-sword arm: t.22, t.120
 Taking off mask before 'Halt!': t.87, t.120
 Tang of blade: m.2
 Target: see «Valid target»
 Team: o.42ss, o.45ss, o.48, o.89
 Team (captain): t.82, t.90, o.13, o.44, o.59s
 Team (replacement of a fencer): t.33, o.44
 Tearing out of reel: t.21, m.56
 Technician: t.92, t.108, o.78
 Television: t.42, PC I, IVC
 Terminology: t.2ss

Terms of reference: see «Specification ('Cahier de charges')»
 Test sample: Supplement A
 Testing (dope): t.129, o.64, o.83
 Tests (equipment): t.35, t.54, t.68, t.73, Supplement A, Supplement B
 Third (place): o.28, o.34, o.41
 Thread, cutting of: m.12, m.20
 Threaten valid target: t.7, t.10, t.56, t.75, t.77
 Throwing (weapon): t.16, m.4
 Thrusting (weapons of): t.46, t.61, t.70
 Tie (equal scores): o.17, o.24, o.44
 Tie (seeding/indicators): o.19, o.31ss, o.43
 Tie (third place): see «Third (place)»
 Tie (world rankings): o.91
 Time (between bouts): o.16, o.23, o.26
 Time (fencing): t.6, t.8, t.59, t.60, t.77, t.80
 Time (maximum participation for fencer): o.10
 Time (of bout): o.17, o.23, o.44
 Time (remaining/expiry): t.31s
 Time-keeper: t.30, t.32, t.35, o.7
 Timetable: o.10, o.22, o.60
 Tolerance: m.11, m.19, Supplement A, Supplement B
 Touches (annulment): t.53ss, t.66ss, t.73ss, t.114, t.120
 Touches (before 'Play!'): t.18, t.53, t.66, t.73
 Touches (brutal): t.87, t.120
 Touches ('coup lancé'): see «Coup lancé»
 Touches (after crossing the boundaries of the strip): t.26
 Touches (after 'Halt!'): t.18, t.53, t.66, t.73
 Touches (at the end of a bout): t.32
 Touches (decisive): o.17, o.24, o.44
 Touches (double): t.60, t.64, t.68, t.80, o.17
 Touches (doubtful): t.54, t.68, t.73
 Touches (flat — sabre): t.70
 Touches (judging): t.34ss, t.40ss, t.50ss, t.64ss, t.73ss, t.96
 Touches (method of making): t.46, t.61, t.70
 Touches (not valid): t.48, t.49, t.53, t.66
 Touches (number): t.30, o.17, o.19, o.23s, o.44
 Touches (other than on opponent): t.36, t.53, t.66, t.120
 Touches (penalty): t.114ss; see also «Refusal (to award a touch)»
 Touches (received): see «Indices»
 Touches (scored): see «Indices»
 Touches (seeking, giving away, offering): t.88, t.120
 Touches (simultaneous): t.60, t.80
 Touches (stop touches): see «Stop touch»
 Touches (through the blade): t.70
 Touches (thrusting with the point): t.46, t.61, t.70
 Touches (with the back of the blade): t.70
 Touches (with the cutting edge): t.70
 Touches (with the guard): t.70
 Tournament: t.107s; see «World Cup», «Competitions»
 Tracksuit: PC IVA, IVC
 Trainer: t.81, t.92, t.96, t.108, t.129
 Travel (of the point): t.43s, t.45, m.11, m.19, m.42
 Treating a blade: m.1
 Trim (on sabre mask): m.32, Supplement A
 Turn back on opponent: t.21, t.120
 Types of apparatus: m.46ss, Supplement B
 Ultimate appeal: t.95, t.97, t.100
 Under-plastron: t.44, t.45, m.45, Supplement A
 Undressing (forbidden on the strip): t.87
 Unplugging of bodycord: t.68, m.5, m.55
 Use of non-sword hand/arm: t.22s, t.36, t.120
 Utmost ability (fence to): t.88, t.120
 Valid target (covering and substitution): t.22s, t.36, t.49, t.72, t.120
 Valid target (definition): t.47ss, t.62, t.71s
 Valid target (threaten): t.7, t.10, t.56, t.75, t.77
 Validity of touch: t.42, t.51ss, t.65ss, t.74ss
 Vest: see «Jacket (conductive)», «Jacket (fencing)»
 Violence: t.87, t.103, t.105, t.120
 Violent fencing: t.87
 Visual signals: see «Lamps», «Signals (visual)»
 Voltage: see «Source of current»
 Warning (penalty): t.114, t.16, t.118, t.120
 Weapon: m.1ss, Supplement A; see also «Dimensions», «Epée», «Foil», «Sabre», «Weight»
 Weapon (check): m.25, m.38, m.42s
 Weapon (throwing): t.16, m.4
 Weapon (working order/spare): t.45, t.86, t.120
 Weight: m.6, m.8, m.11, m.14, m.16, m.19, m.22s, m.28, m.42
 Width of strip: see «Strip»
 Withdrawal: t.33, o.20, o.25, o.44
 World Championships: o.48ss
 World Championships (formula, individual events): o.29ss
 World Championships (formula, team events): o.42ss
 World Championships (juniors and cadets — organization): o.73ss
 World Championships (open — organization): o.65ss
 World Cup: t.129, o.79ss
 World Cup (age limit — juniors): o.55, o.87
 World Cup (calendar): o.80ss
 World Cup (classification/scale of point): o.89s
 World Cup (criteria): o.81, o.83ss
 World Cup (Technical Directory): t.39, o.57, o.85
 World Cup (formulae): o.29ss, o.35ss, o.45ss
 World Cup (number of referees): o.88
 World Cup (number of participants): o.86
 World Cup (Observer): t.39, o.84, o.88
 Yellow Card: t.114, t.116, t.120
 Yellow lamps: Supplement B
 Zone (continental): o.86, o.89